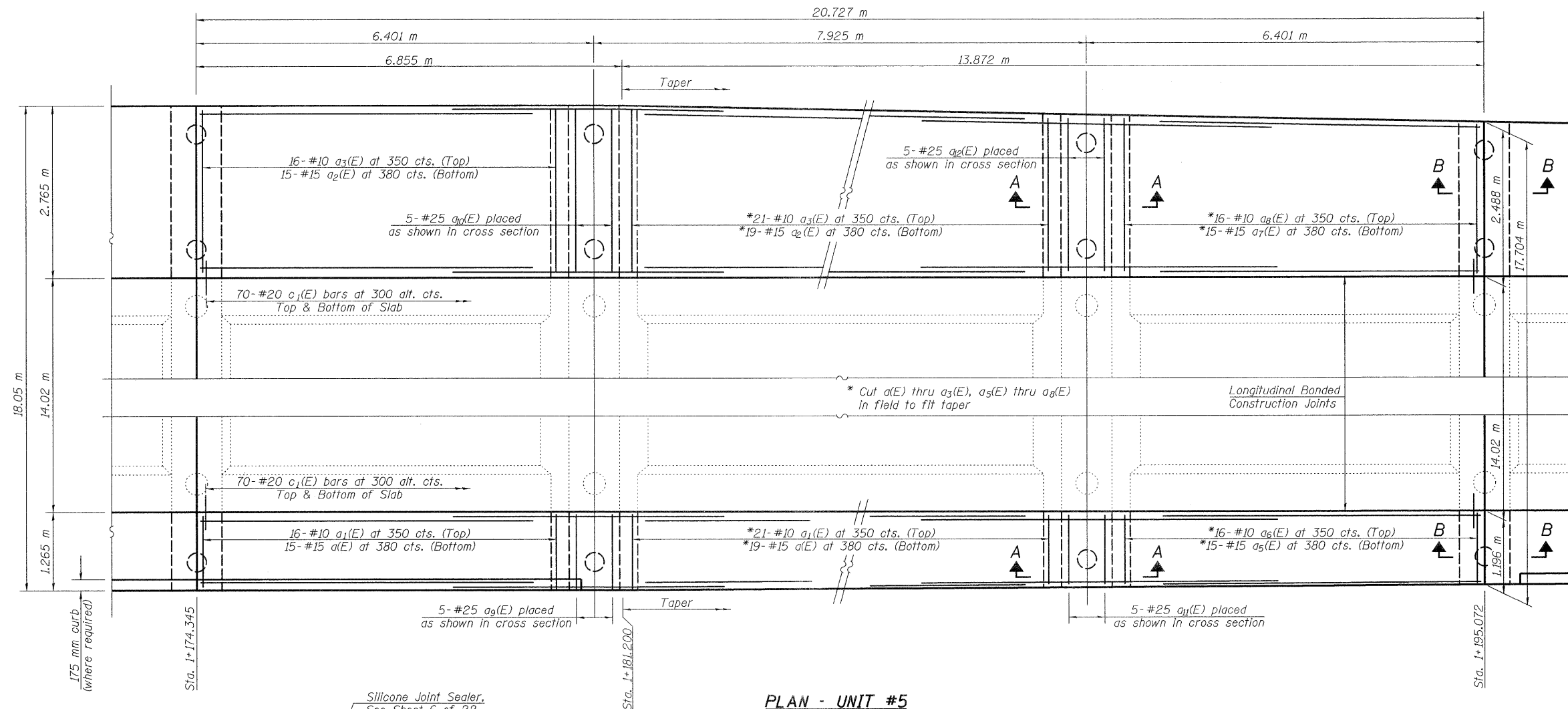


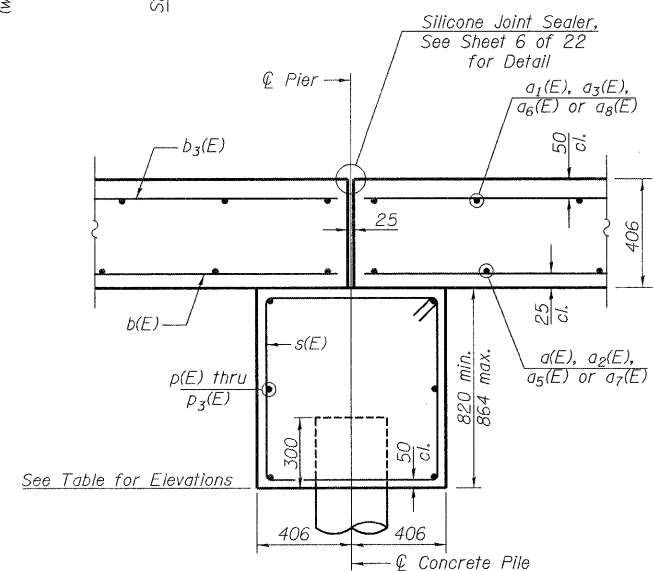
ROUTE NO.	SECTION	COUNTY	TOTAL SHEETS	SHEET NO.
F.A.P. 866	4N-1	LAKE	165	76
FED. ROAD DIST. NO. 7	ILLINOIS		FED. AID PROJECT	

SHEET NO.
7 of 22

Contract No.: 60931



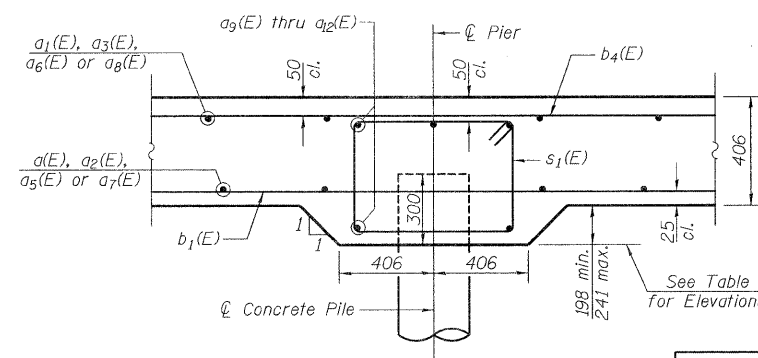
PLAN - UNIT #5



SECTION B-B
(Piers 1, 4, 7, 10, 13 & 16)

BOTTOM OF PIER ELEVATIONS

Pier No.	Elevation
2	240.500
3	240.432
4	239.757
5	240.326
6	240.273
7	239.653
8	240.277
9	240.283
10	239.683
11	240.351
12	240.406
13	239.829
14	240.491
15	240.540



SECTION A-A
(Piers 2, 3, 5, 6, 8, 9, 11, 12, 14 & 15)

NOTES

- Cut bottom longitudinal reinforcement in field to miss piles.
- See Typical Unit Plan for longitudinal reinforcement and Stage III reinforcement.
- See Sheets 9 and 10 of 22 for curb locations and reinforcement.
- See Sheet 8 of 22 for Bill of Material.
- Dead Load Deflection is negligible.
- 65 mm Latex Concrete Overlay omitted for clarity.



REVISIONS	
NAME	DATE

ILLINOIS DEPARTMENT OF TRANSPORTATION
REINFORCEMENT DETAILS - II
IL RTE. 132 LAND BRIDGE
FAP RTE 866 - SEC 4N-1
LAKE COUNTY
STA. 1+143.3
SN 049-D002
DATE: 11-06-09
DRAWN BY: BLB
CHECKED BY: WJV