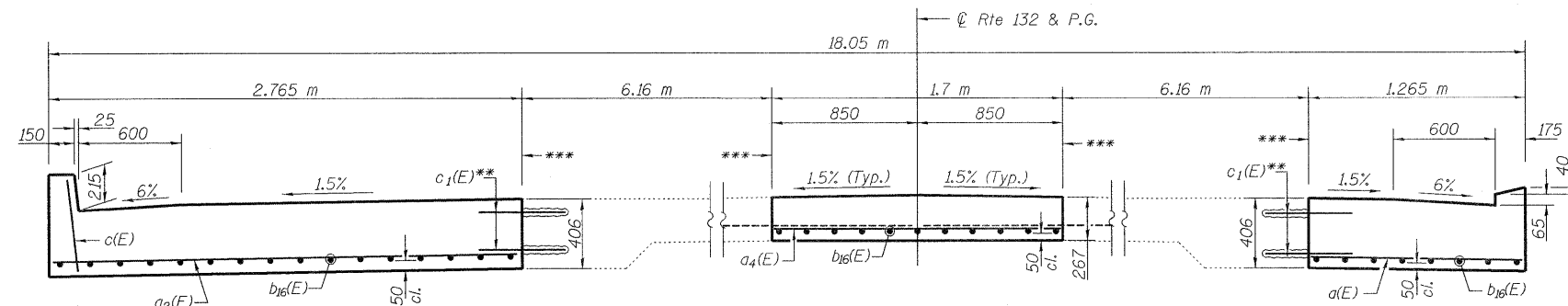


ROUTE NO. F.A.P. 866	SECTION 4N-1	COUNTY LAKE	TOTAL SHEETS 165	SHEET NO. 80
----------------------------	-----------------	----------------	---------------------	-----------------

SHEET NO.
11 of 22

Contract No.: 60931

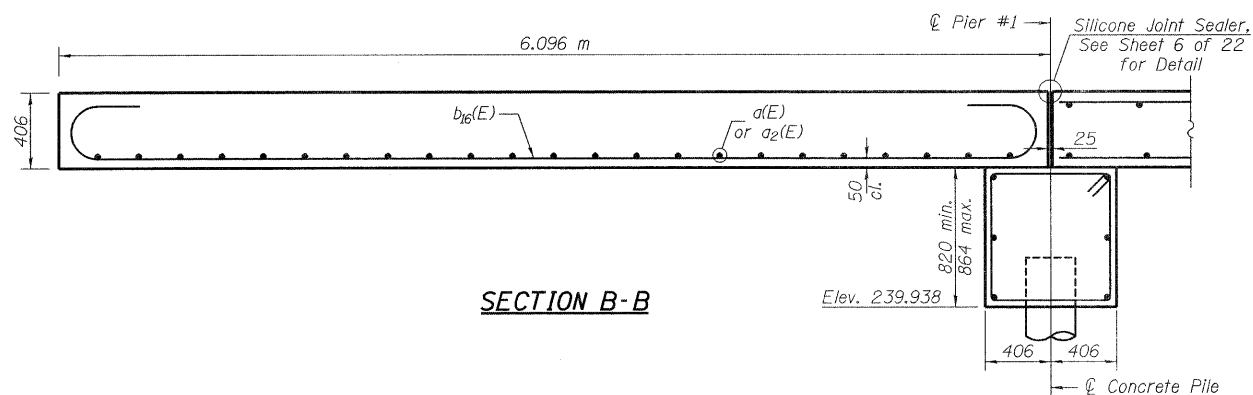


SECTION A-A
Looking East

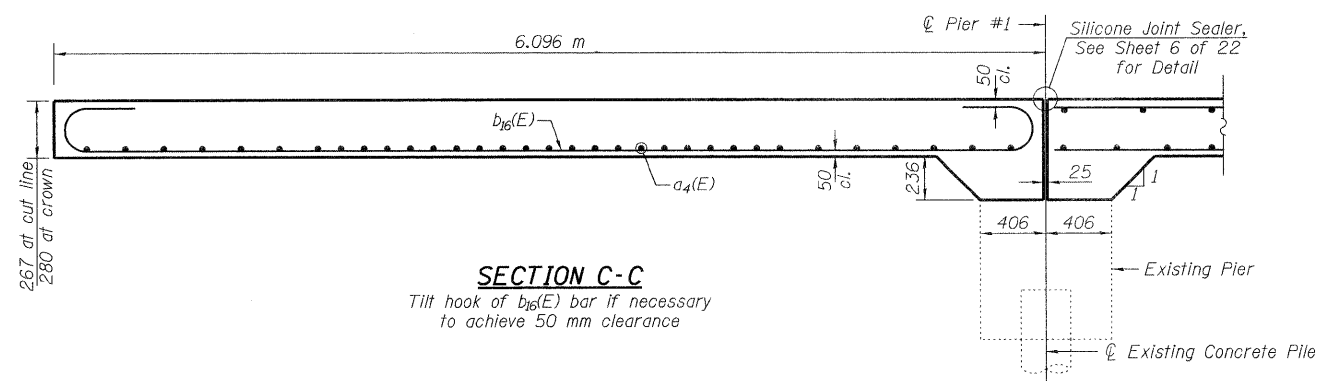
Showing Depressed Curb and Gutter (Typ.)
Depressed curb locations shown on Sheets 9 and 10 of 22.

** Drill and grout 300 mm deep into existing slab. See Section 584 of the Standard Specifications.

*** Longitudinal Bonded Construction Joint In accordance with Article 503.09 (b) of the Standard Specifications

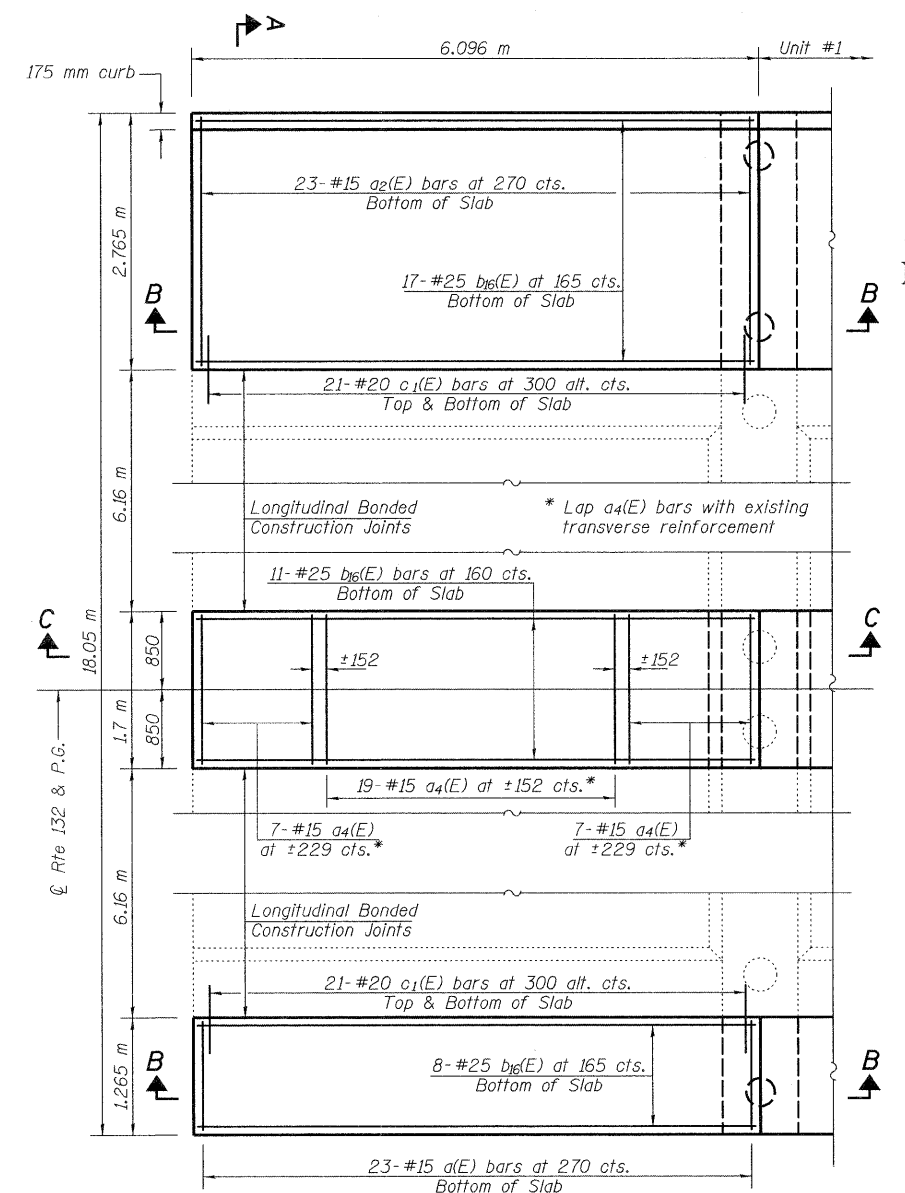


SECTION B-B



SECTION C-C

Tilt hook of $b_{16}(E)$ bar if necessary to achieve 50 mm clearance



PLAN - WEST APPROACH SLAB

**WEST APPROACH
BILL OF MATERIAL**

Bar	No.	Size	Length (m)	Shape
$a_1(E)$	23	#15	1.17	—
$a_2(E)$	23	#15	2.67	—
$a_4(E)$	33	#15	1.60	—
$b_{16}(E)$	36	#25	6.56	U
$c_1(E)$	21	#20	0.50	—
$c_1(E)$	42	#20	0.60	—
Reinforcement Bars, Epoxy Coated			kg	1240
Concrete Superstructure			Cu M	13.0

NOTES

65 mm Latex Concrete Overlay omitted for clarity. Profile Grade is located at the top of overlay at the roadway centerline.

See Sheet 3 of 22 for quantity of Latex Concrete Overlay.

See Sheet 4 of 22 for quantities of HMA Surface Removal (Deck), Bridge Deck Hydro-Scarification, and Concrete Removal.



REVISIONS	
NAME	DATE

ILLINOIS DEPARTMENT OF TRANSPORTATION
WEST APPROACH SLAB DETAILS
IL RTE. 132 LAND BRIDGE
FAP RTE 866 - SEC 4N-1
LAKE COUNTY
STA. 1+143.3
SN 049-D002
DATE: 11-06-09
DRAWN BY: BLB
CHECKED BY: WJV