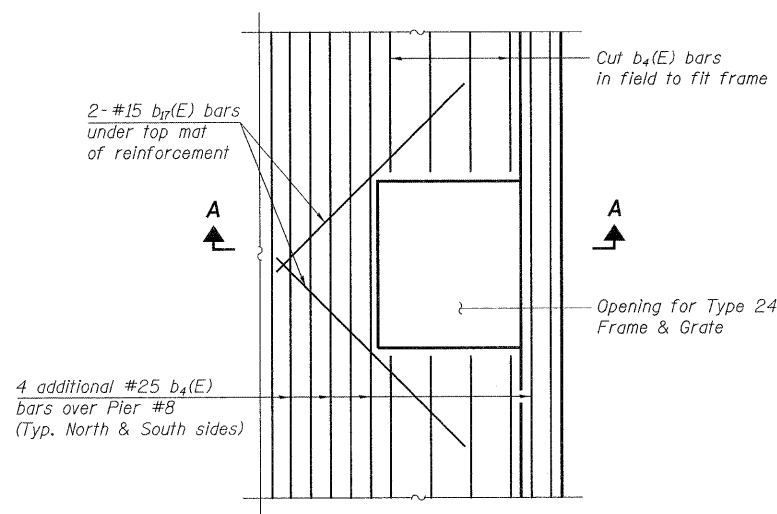


ROUTE NO.	SECTION	COUNTY	TOTAL SHEETS	SHEET NO.
F.A.P. 866	4N-1	LAKE	165	84
FED. ROAD DIST. NO. 7	ILLINOIS	FED. AID PROJECT		

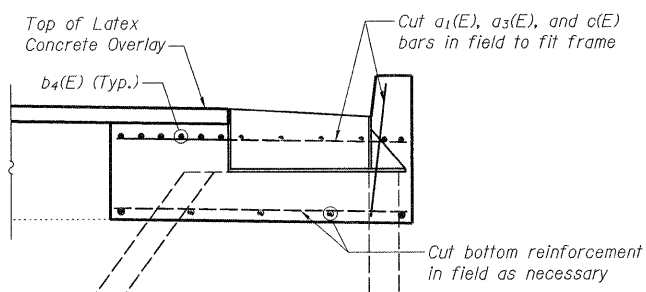
SHEET NO.
14 of 22

Contract No.: 60931

→ To ϕ Roadway

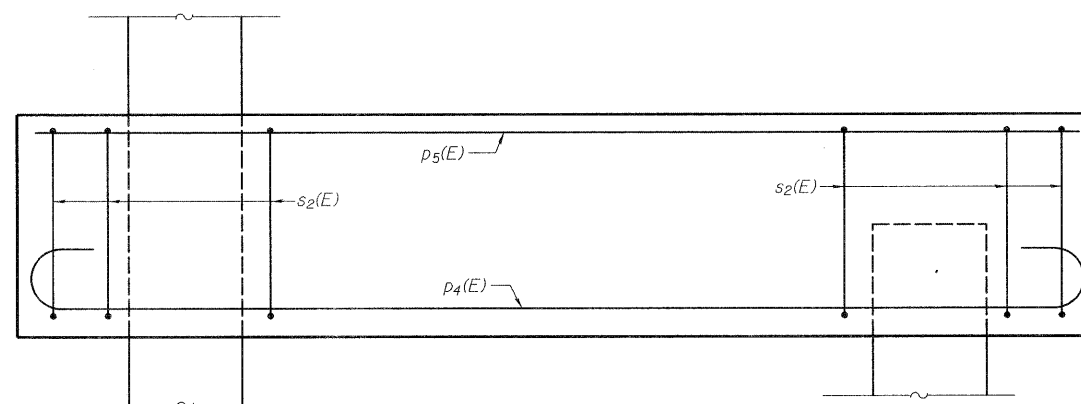


PLAN VIEW AT CATCH BASIN
(Showing top reinforcement only)



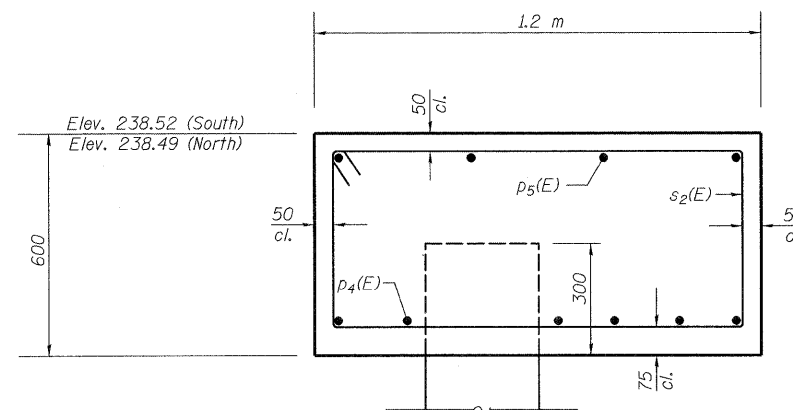
SECTION A-A

NOTE:
See Bill of Material on Sheet 8 of 22
for additional reinforcement at openings.

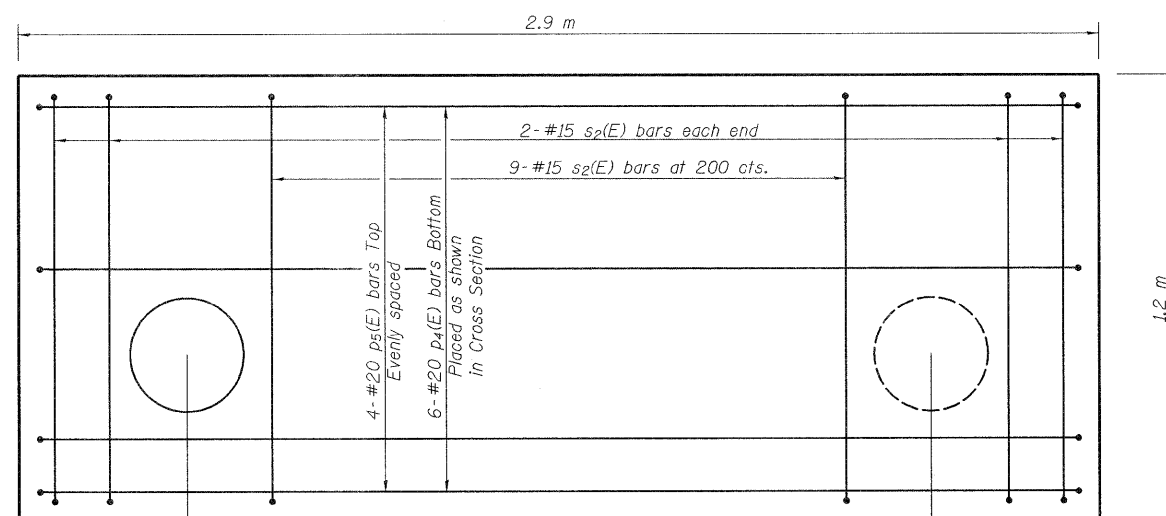


ELEVATION OF CATCH BASIN SUPPORT

Looking North

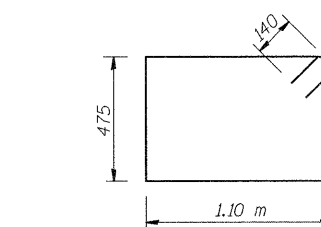


CROSS SECTION OF CATCH BASIN SUPPORT

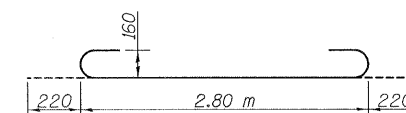


PLAN OF CATCH BASIN SUPPORT

North support shown, South support similar but mirrored
(See plan for location of catch basins, 2 total)



BAR s2(E)



BAR b4(E)

**CATCH BASIN SUPPORT
BILL OF MATERIAL**

p4(E)	12	#20	3.24	
p5(E)	8	#20	2.80	
s2(E)	26	#15	3.43	
Reinforcement Bars, Epoxy Coated			kg	290
Concrete Structures			Cu M	4.1
Structure Excavation			Cu M	49.2

Reinforcement bars designated (E) shall be epoxy coated.



REVISIONS	
NAME	DATE

ILLINOIS DEPARTMENT OF TRANSPORTATION
CATCH BASIN SUPPORT DETAILS
IL RTE. 132 LAND BRIDGE
FAP RTE 866 - SEC 4N-1
LAKE COUNTY
STA. 1+143.3
SN 049-D002 DRAWN BY BLB
DATE: 11-06-09 CHECKED BY WJV