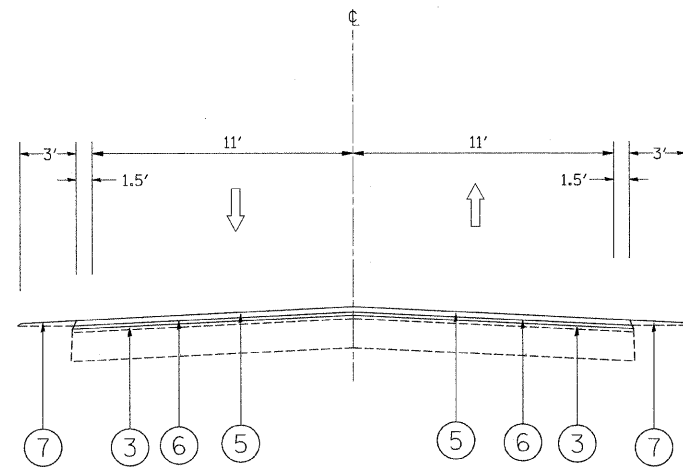


FOOTHILL RD  
EXISTING TYPICAL SECTION  
STA. 8+92 TO STA. 30+91



FOOTHILL RD  
PROPOSED TYPICAL SECTION  
STA. 8+92 TO STA. 30+91

LEGEND

- ① EXISTING HOT-MIX ASPHALT BASE COURSE, 9"
- ② HOT-MIX ASPHALT SURFACE REMOVAL, 2 1/4"
- ③ EXISTING HOT-MIX ASPHALT SURFACE COURSE AFTER MILLING ± 2"
- ④ EXISTING AGGREGATE SHOULDER
- ⑤ PROPOSED HOT-MIX ASPHALT SURFACE COURSE, MIX "D", N70, 1 1/2"
- ⑥ PROPOSED LEVELING BINDER (MACHINE METHOD), N70, 3/4"
- ⑦ PROPOSED AGGREGATE WEDGE SHOULDER

THE CONTRACTOR SHALL MILL FIRST  
BEFORE PATCHING

HOT-MIX ASPHALT MIXTURE REQUIREMENTS	
MIXTURE TYPE	AIR VOIDS @ NODES
<b>RESURFACING</b>	
HOT-MIX ASPHALT SURFACE COURSE, MIX "D", N70, (IL 9.5 mm)	4% @ 70 GYR
LEVELING BINDER (MACHINE METHOD), N70	4% @ 70 GYR.
<b>PATCHING</b>	
CLASS D PATCHES, (HMA BINDER IL-19 mm)	4% @ 70 GYR

- THE UNIT WEIGHT USED TO CALCULATE ALL HOT-MIX ASPHALT SURFACE MIXTURES IS 112 LBS/SQ.YD./IN
- THE AC TYPE FOR POLYMERIZED HMA MIXES SHALL BE SBS/SBR PG 70 -22 AND FOR NON-POLYMERIZED HMA THE AC TYPE SHALL BE PG 64 -22 UNLESS MODIFIED BY DISTRICT ONE SPECIAL PROVISIONS. FOR "PERCENT OF RAP" SEE DISTRICT ONE SPECIAL PROVISIONS.

FILE NAME =	USER NAME = midjja	DESIGNED -	REVISED -	<b>STATE OF ILLINOIS DEPARTMENT OF TRANSPORTATION</b>	<b>FOOTHILL RD. EXISTING, PROPOSED TYPICAL SECTIONS AND MIXTURE REQUIREMENT</b>		F.A.U. RTE.	SECTION	COUNTY	TOTAL SHEETS	SHEET NO.
et:\pw\work\pwwdot\midjja\08177645\012611	saht-plan.dgn	DRAWN -	REVISED -		2423	2009-119 RS	KANE	14	4		
	PLOT SCALE = 50,0000 ' / IN.	CHECKED -	REVISED -		SCALE: SHEET NO. 1 OF 1 SHEETS STA. + TO STA. +		CONTRACT NO. 60J71				
	PLOT DATE = 3/16/2010	DATE -	REVISED -				FED. ROAD DIST. NO. 1 ILLINOIS FED. AID PROJECT				