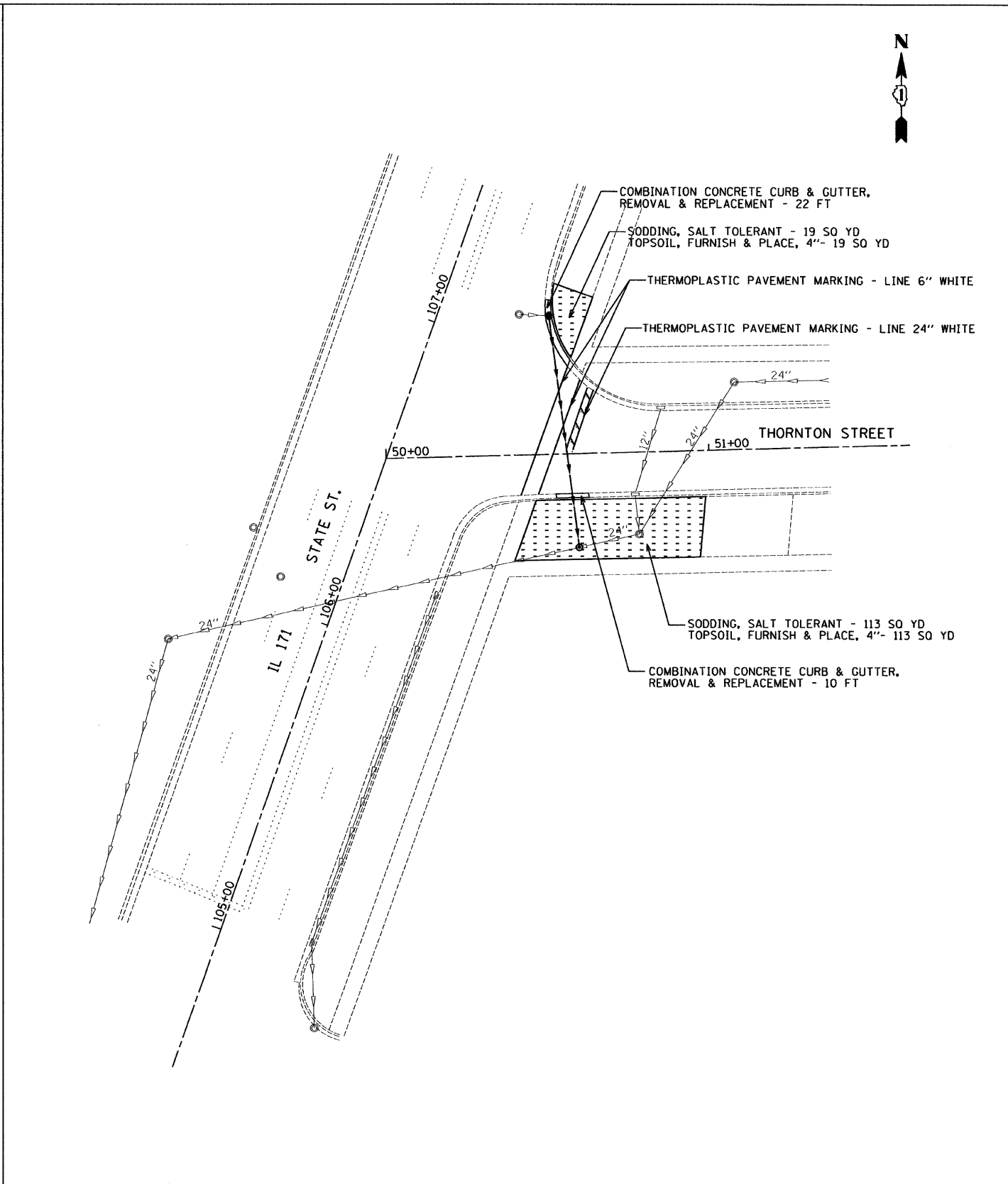


PROPOSED DRAINAGE PLAN



PROPOSED ROADWAY, PAVEMENT MARKING AND LANDSCAPE PLAN

FILE NAME =	USER NAME = .USER.	DESIGNED - EF	REVISED -	STATE OF ILLINOIS DEPARTMENT OF TRANSPORTATION	IL 171 (STATE STREET) DRAINAGE IMPROVEMENT PLAN			F.A.P. RTE.	SECTION	COUNTY	TOTAL SHEETS	SHEET NO.
#FILEL#	PLOT SCALE = 20.0018' / IN.	DRAWN - EF	REVISED -		577	DY-T-1	WILL	7	5			
	PLOT DATE = 4/26/2010	CHECKED - RS	REVISED -		SCALE: 20 SHEET NO. 1 OF 1 SHEETS STA. TO STA.			CONTRACT NO. 60K74				
		DATE - 04-26-2010	REVISED -		ILLINOIS FED. AID PROJECT							