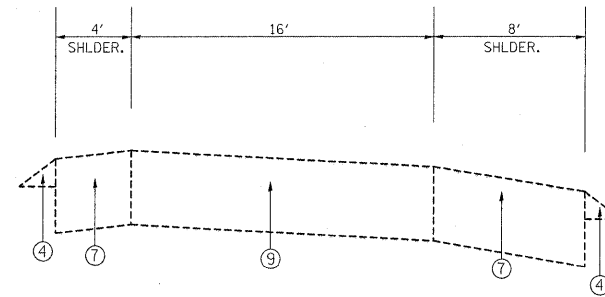
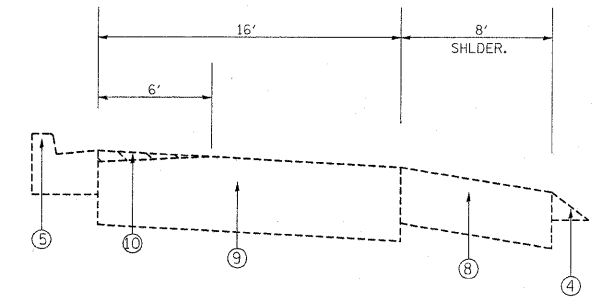


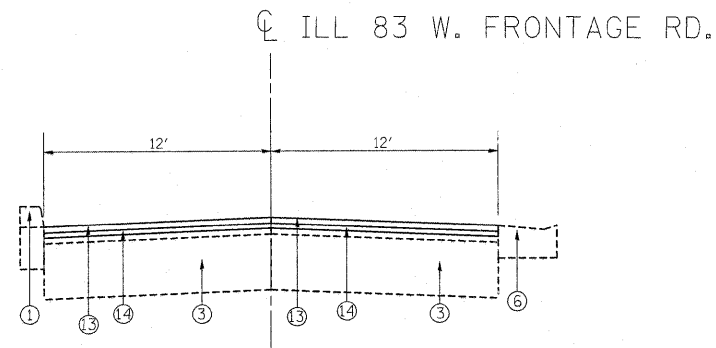
EXISTING TYPICAL SECTION
ILL 83 W. FRONTAGE RD.
STA. 35+00 TO STA. 40+25



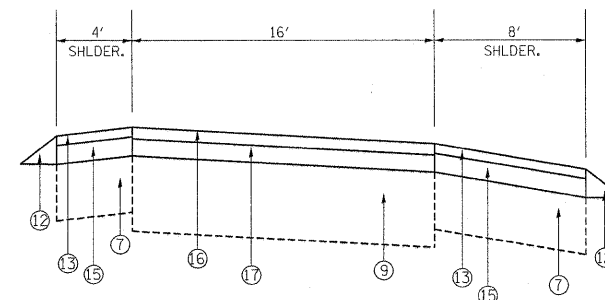
EXISTING TYPICAL SECTION
(ADJACENT TO PCC SHLDER.)
RAMP 'K' STA. 10+00 TO STA 11+21



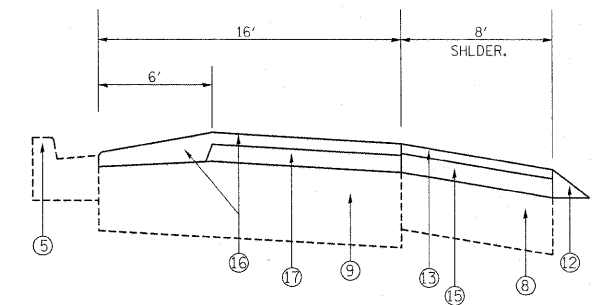
EXISTING TYPICAL SECTION
RAMP RESURFACING ADJACENT TO CURB
RAMP 'A' STA. 22+00 TO STA. 25+63
RAMP 'D' STA. 44+74 TO STA. 48+85
RAMP 'K' STA. 13+84 TO STA. 18+92
RAMP 'J' (PORTION OF RAMP EXIT W/B 55TH ST.)



PROPOSED TYPICAL SECTION
ILL 83 W. FRONTAGE RD.
STA. 35+00 TO STA. 40+25



PROPOSED TYPICAL SECTION
(ADJACENT TO PCC SHLDER.)
RAMP 'K' STA. 10+00 TO STA 11+21



PROPOSED TYPICAL SECTION
RAMP RESURFACING ADJACENT TO CURB
RAMP 'A' STA. 22+00 TO STA. 25+63
RAMP 'D' STA. 44+74 TO STA. 48+85
RAMP 'K' STA. 13+84 TO STA. 18+92
RAMP 'J' (PORTION OF RAMP EXIT W/B 55TH ST.)

LEGEND:

- | | |
|---|---|
| ① EXISTING CONCRETE CURB TYP B MOD. | ⑩ PROPOSED PCC SURFACE REMOVAL (VAR. DEPTH), PER STD. BD-33 |
| ② EXISTING HOT-MIX ASPHALT OVERLAY, ±3" | ⑪ PROPOSED HOT-MIX ASPHALT SURFACE REMOVAL, 2 1/4" * |
| ③ EXISTING HMA BASE COURSE ±8" | ⑫ PROPOSED AGGREGATE WEDGE SHOULDER, TYPE B |
| ④ EXISTING AGGREGATE SHOULDER TYP. B | ⑬ PROPOSED HOT-MIX ASPHALT SURFACE COURSE, MIX "D", N70, (IL 9.5 mm); 1 1/2 " |
| ⑤ EXISTING CURB & GUTTER | ⑭ PROPOSED POLYMERIZED LEVELING BINDER (MACHINE METHOD), IL-4.75, N50; 3/4" |
| ⑥ EXISTING DEPRESSED CURB | ⑮ PROPOSED HOT-MIX ASPHALT BINDER COURSE, IL-19.0, N70; 2 1/2" |
| ⑦ EXISTING PCC SHOULDER 10" | ⑯ PROPOSED POLYMERIZED HOT-MIX ASPHALT SURFACE COURSE, MIX "F", N90 1 3/4" |
| ⑧ EXISTING HMA SHOULDER 8" | ⑰ PROPOSED POLYMERIZED HOT-MIX ASPHALT BINDER COURSE, IL-19.0, N90; 2 1/4" |
| ⑨ EXISTING PCC PAVEMENT ±9" | ⑱ PROPOSED HOT-MIX ASPHALT SURFACE REMOVAL, 2 1/2" * |

FILE NAME =	USER NAME = abreuah	DESIGNED -	REVISED -	STATE OF ILLINOIS DEPARTMENT OF TRANSPORTATION	VARIOUS AT VARIOUS DUPAGE COUNTY LOCATIONS TYPICAL SECTIONS	F.A. RTE.	SECTION	COUNTY	TOTAL SHEETS	SHEET NO.	
ct\pw\work\p\dot\abreuah\d0206143\016000	10-Design83WFrontage.dgn	DRAWN -	REVISED -			VAR.	2010-032-PCC-PP	DUPAGE	28	5	
	PLOT SCALE = 50,0000 ' / IN.	CHECKED -	REVISED -			SCALE: SHEET NO. OF SHEETS STA. TO STA.					
	PLOT DATE = 5/24/2010	DATE -	REVISED -			ILLINOIS FED. AID PROJECT CONTRACT NO. 60K79					