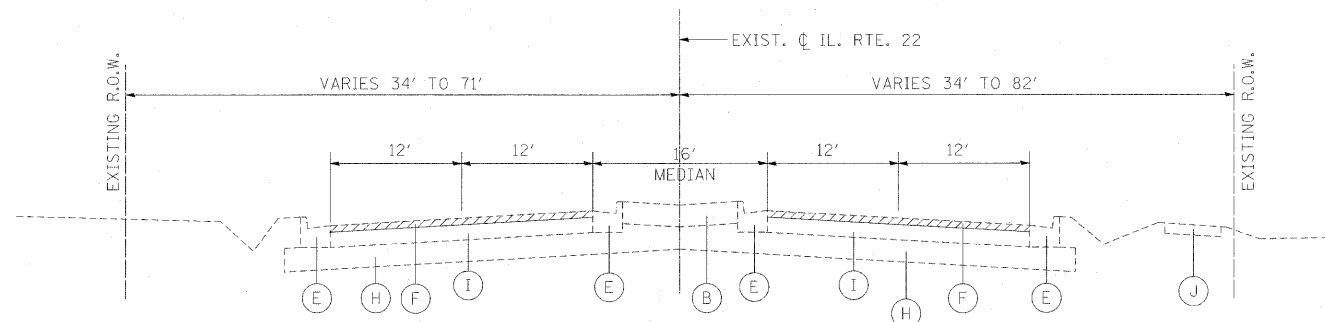
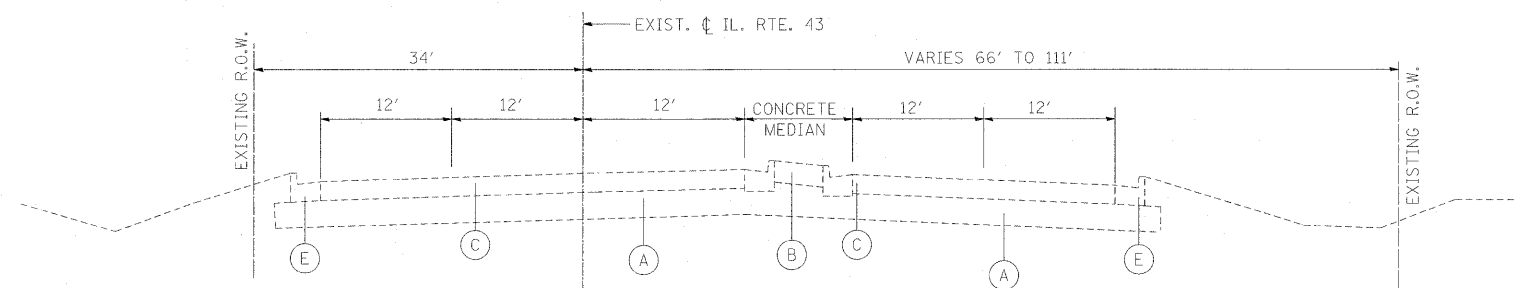


EXISTING TYPICAL SECTIONS
 STA. 45+50.89 TO STA. 115+12.03
 PROJECT OMISSION FROM STA. 115+12.03
 TO STA. 133+02.52

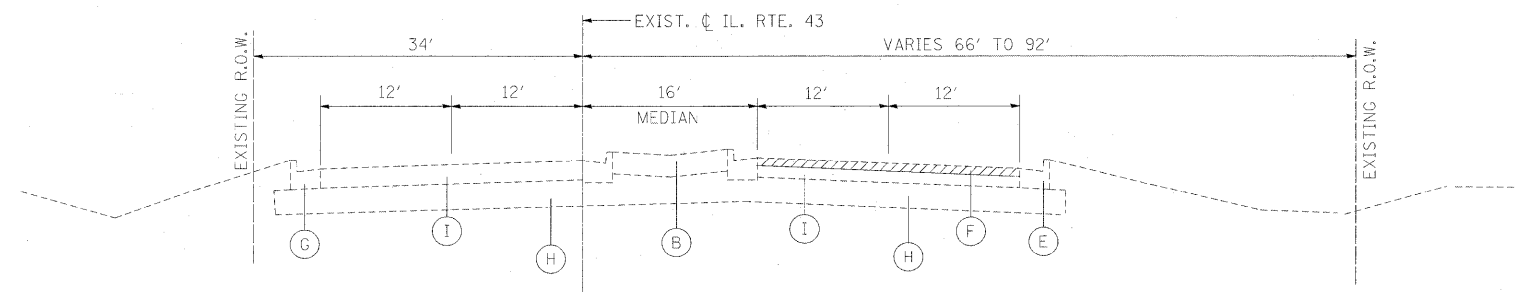
- EXISTING:**
- (A) EXISTING AGGREGATE SUBBASE (R)
 - (B) EXISTING CONCRETE MEDIAN SURFACE, 4" (R)
 - (C) EXISTING PCC PAVEMENT VARIES FROM 6 1/2" TO 19 1/4" (R)
 - (D) EXISTING AGGREGATE SHOULDERS, 4 (R)
 - (E) EXISTING COMBINATION CURB AND GUTTER, TYPE B-6.24 OR TYPE B-6.12 (R)
 - (F) EXISTING BITUMINOUS SURFACE REMOVAL 2 1/2"
 - (G) EXISTING CURB AND GUTTER TO REMAIN
 - (H) EXISTING AGGREGATE SUBBASE TO REMAIN
 - (I) EXISTING BITUMINOUS PAVEMENT TO REMAIN
 - (J) EXISTING 5' SIDEWALK TO REMAIN



EXISTING TYPICAL SECTIONS
 STA. 133+02.52 TO STA. 174+82.92



EXISTING TYPICAL SECTIONS
 STA. 323+84.53 TO STA. 332+35.59



EXISTING TYPICAL SECTIONS
 STA. 315+61.62 TO STA. 323+84.53
 STA. 332+35.59 TO STA. 337+52.23

ITEMS WITH (R) ARE TO BE REMOVED

FILE NAME =	USER NAME = #USER#	DESIGNED - LP	REVISED -	STATE OF ILLINOIS DEPARTMENT OF TRANSPORTATION	IL. ROUTE 22 AND IL. ROUTE 43 EXISTING TYPICAL SECTIONS			F.A.P. RTE.	SECTION	COUNTY	TOTAL SHEETS	SHEET NO.
W:\ILRTE22\2009 REVISIONS\Tree Removal	Contract\CADD Sheets\0168L41-sh-typical.dgn	DRAWN - DC	REVISED -		337	2010-062-DTR	LAKE	56	5			
PLOT SCALE = #SCALE#		CHECKED - JP	REVISED -		CONTRACT NO. 60L41			ILLINOIS FED. AID PROJECT				
PLOT DATE = 5/13/2010		DATE - 05/14/2010	REVISED -		SCALE: NTS	SHEET NO. 5 OF 56 SHEETS	STA.	TO STA.				