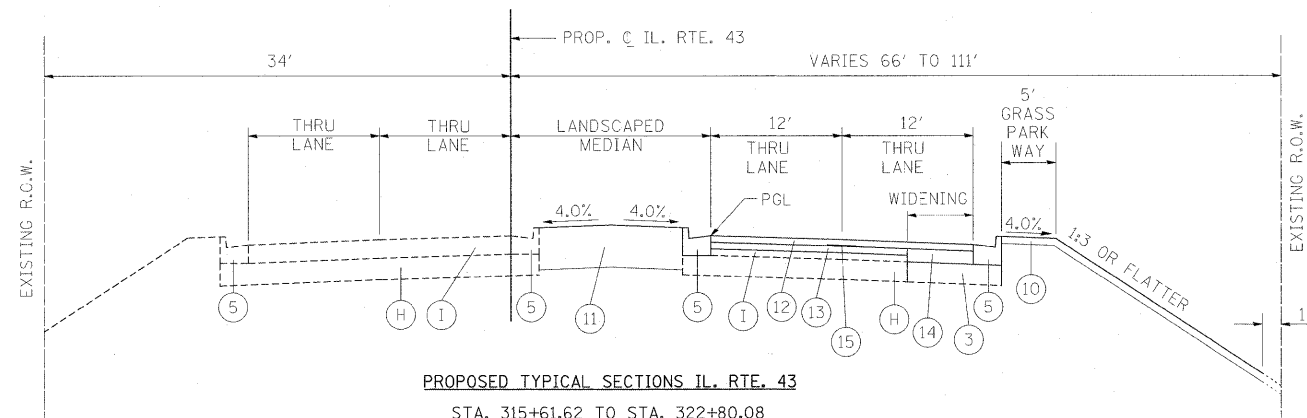
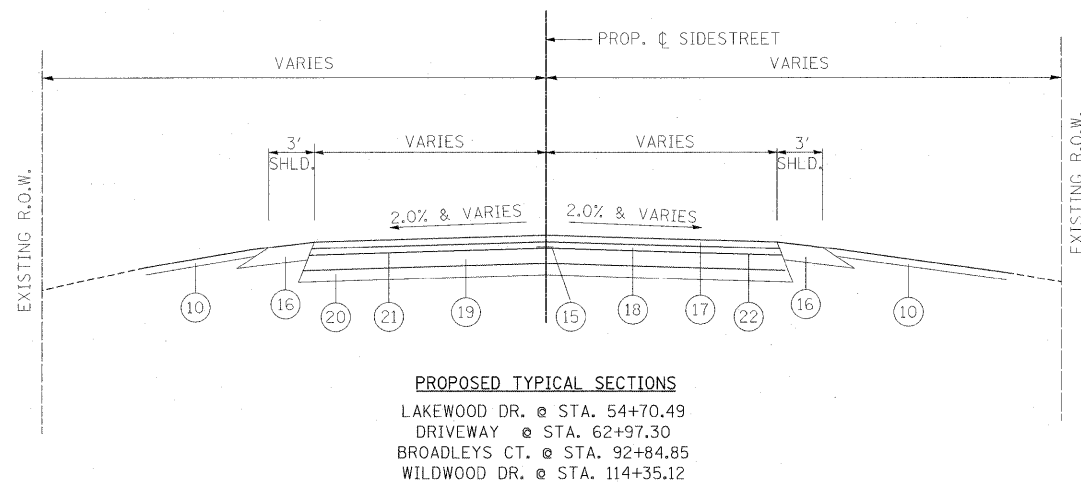


PROPOSED TYPICAL SECTIONS IL. RTE. 43
STA. 322+80.08 TO STA. 334+55.71



PROPOSED TYPICAL SECTIONS IL. RTE. 43
STA. 315+61.62 TO STA. 322+80.08
STA. 334+55.71 TO STA. 337+52.23



PROPOSED TYPICAL SECTIONS
LAKEWOOD DR. @ STA. 54+70.49
DRIVEWAY @ STA. 62+97.30
BROADLEYS CT. @ STA. 92+84.85
WILDWOOD DR. @ STA. 114+35.12

ITEMS WITH (R) ARE TO BE REMOVED

THE CONTRACTOR SHALL HAVE THE OPTION OF USING PCC PAVEMENT 10" OR HOT-MIX ASPHALT PAVEMENT 8" FOR TEMPORARY PAVEMENT AS SPECIFIED IN THE SPECIAL PROVISION AND THE MIXTURE REQUIREMENT TABLE ABOVE.

EXISTING:

- (A) EXISTING AGGREGATE SUBBASE (R)
- (B) EXISTING CONCRETE MEDIAN SURFACE, 4" (R)
- (C) EXISTING PCC PAVEMENT VARIES FROM 6 1/2" TO 19 1/4" (R)
- (D) EXISTING AGGREGATE SHOULDERS, 4 (R)
- (E) EXISTING COMBINATION CURB AND GUTTER, TYPE B-6.24 OR TYPE B-6.12 (R)
- (F) EXISTING BITUMINOUS SURFACE REMOVAL 2 1/2"
- (G) EXISTING CURB AND GUTTER TO REMAIN
- (H) EXISTING AGGREGATE SUBBASE TO REMAIN
- (I) EXISTING BITUMINOUS PAVEMENT TO REMAIN
- (J) EXISTING 5' SIDEWALK TO REMAIN

PROPOSED

- (1) PROPOSED PORTLAND CEMENT CONCRETE SIDEWALK 5'
- (2) PROPOSED PORTLAND CEMENT CONCRETE PAVEMENT 10" (JOINTED)
- (3) PROPOSED AGGREGATE SUBGRADE 12"
- (4) PROPOSED HOT-MIX ASPHALT SURFACE COURSE, MIX "C", N50, 2"
- (4A) PROPOSED AGGREGATE BASE COURSE, TYPE B, 6"
- (5) PROPOSED COMBINATION CONCRETE CURB & GUTTER, TYPE B6.24 OR TYPE B-6.12
- (6) PROPOSED COMBINATION CURB & GUTTER BARRIER MEDIAN, TYPE SB-6.24
- (7) PROPOSED LONGITUDINAL CONSTRUCTION JOINT WITH NO. 1" x 24" EPOXY COATED DEFORMED TIE BARS AT 24" CENTERS
- (8) PROPOSED LONGITUDINAL CONSTRUCTION JOINT WITH NO. 3/4" x 24" EPOXY COATED DEFORMED TIE BARS AT 24" CENTERS
- (9) PROPOSED SAWED LONGITUDINAL JOINT WITH NO. 3/4" x 30" EPOXY COATED DEFORMED TIE BARS AT 30" CENTERS
- (10) PROPOSED TOPSOIL FURNISH AND PLACE, 4" AND SODDING, SALT TOLERANT OR SEEDING, CLASS 2A OR SEEDING, CLASS 4A
- (11) PROPOSED TOPSOIL FURNISH AND PLACE, 24" AND SEEDING CLASS 2A
- (12) PROPOSED POLYMERIZED HOT-MIX ASPHALT SURFACE COURSE, MIX "F", N90, 1 3/4"
- (13) PROPOSED POLYMERIZED LEVELING BINDER (MACHINE METHOD), IL-4.75, N50, 3/4"
- (14) PROPOSED HOT-MIX ASPHALT BASE COURSE, WIDENING 8"
- (15) PROPOSED STRIP REFLECTIVE CRACK CONTROL TREATMENT
- (16) PROPOSED AGGREGATE SHOULDER - TYPE B, 8"
- (17) PROPOSED HOT-MIX ASPHALT SURFACE COURSE, MIX "D", N50, 1 1/2"
- (18) PROPOSED HOT-MIX ASPHALT BINDER COURSE, IL-19.0, N50, 1 1/2"
- (19) PROPOSED HOT-MIX ASPHALT BASE COURSE, 6"
- (20) PROPOSED SUB-BASE GRANULAR MATERIAL, TYPE B, 4"
- (21) PROPOSED BITUMINOUS MATERIALS (PRIME COAT)
- (22) PROPOSED AGGREGATE (PRIME COAT)

HMA MIXTURE REQUIREMENTS CHART		
MIXTURE TYPE	AIR VOIDS	THICKNESS
ROADWAY RESURFACING		
POLYMERIZED HOT-MIX SURFACE COURSE, MIX "F", N90	4% @ 90 GYR.	1 3/4"
POLYMERIZED LEVELING BINDER (MACHINE METHOD), IL-4.75, N50	4% @ 50 GYR.	3/4"
ROADWAY WIDENING		
POLYMERIZED HOT-MIX ASPHALT SURFACE, MIX "F", N90	4% @ 90 GYR.	1 3/4"
HOT-MIX ASPHALT BASE COURSE WIDENING (HMA BINDER IL-19mm)	4% @ 90 GYR.	8"
ROADWAY RECONSTRUCTION (SIDE STREETS)		
HOT-MIX ASPHALT SURFACE COURSE, MIX "D", N50	4% @ 50 GYR.	1 1/2"
HOT-MIX ASPHALT BINDER COURSE, IL-19, N50	4% @ 50 GYR.	1 1/2"
HOT-MIX ASPHALT BASE COURSE (HMA BINDER, IL-19mm)	4% @ 50 GYR.	6"
BIKE PATH		
HOT-MIX ASPHALT SURFACE COURSE, MIX "C", N50	4% @ 50 GYR.	2"
TEMPORARY PAVEMENT		
HOT-MIX ASPHALT SURFACE COURSE, MIX "C", N50	4% @ 50 GYR.	2"
HOT-MIX ASPHALT BASE COURSE	4% @ 50 GYR.	8"

NOTE: THE UNIT WEIGHT USED TO CALCULATE ALL HOT MIX ASPHALT SURFACE MIXTURES IS 112 LBS/SQ YD/IN
THE "AC TYPE" FOR POLYMERIZED HMA MIXES SHALL BE "SBS/SBR PG 70-22" AND FOR NON-POLYMERIZED HMA THE "AC TYPE" SHALL BE "PG 64-22" UNLESS MODIFIED BY DISTRICT ONE SPECIAL PROVISIONS. FOR "PERCENT OF RAP" SEE DISTRICT ONE SPECIAL PROVISIONS.