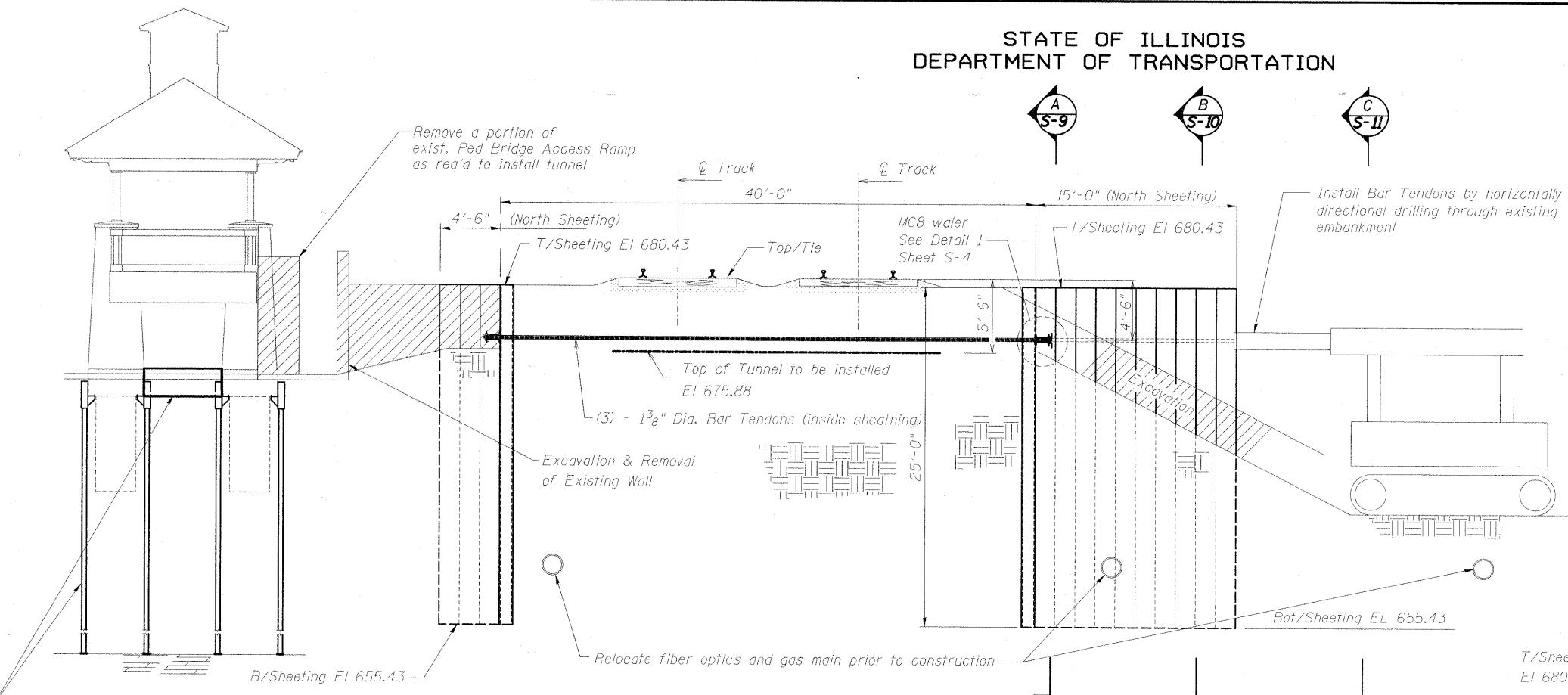
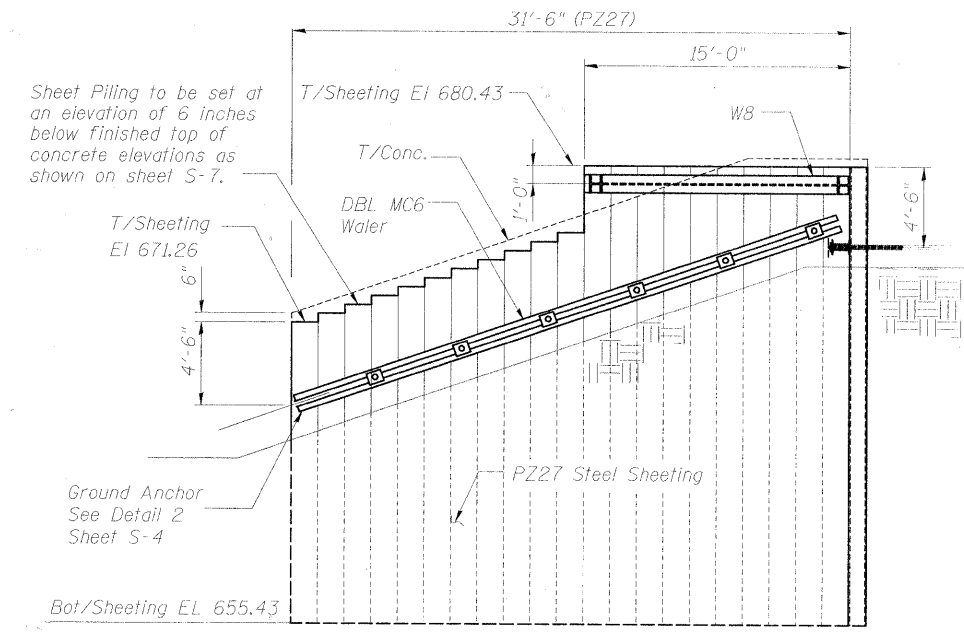


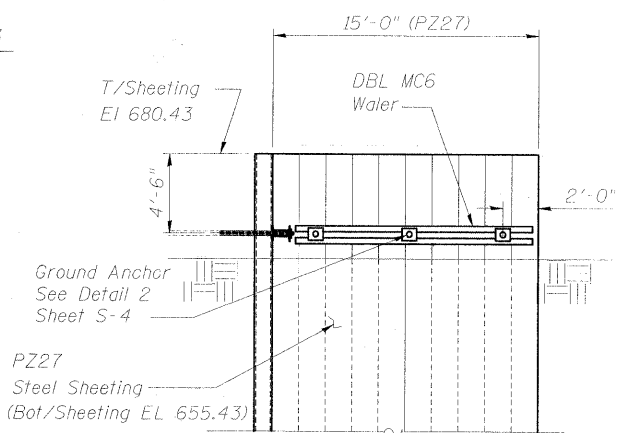
STATE OF ILLINOIS  
DEPARTMENT OF TRANSPORTATION



**SECTION - TUNNEL CONSTRUCTION - PRELIMINARY STAGE (PART 1)**



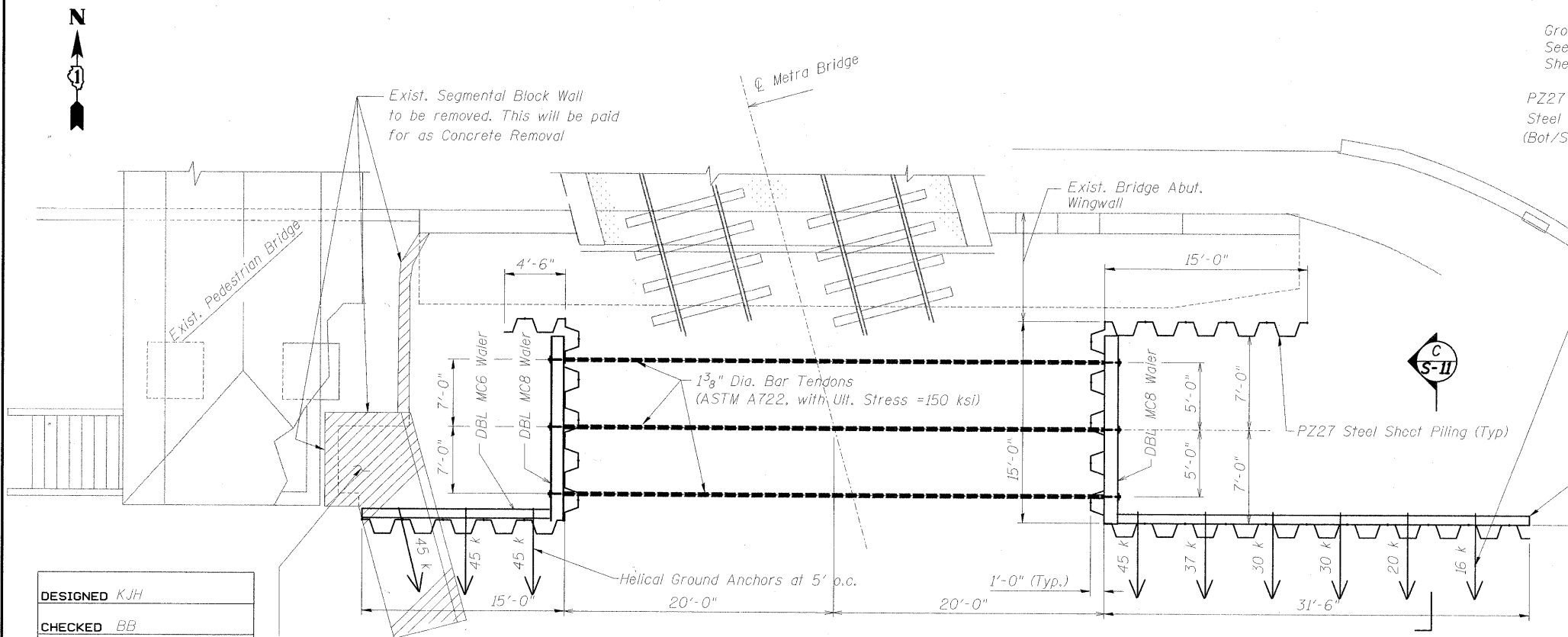
**SOUTHEAST SHEETING ELEVATION (Looking South)**



**SOUTHWEST SHEETING ELEVATION (Looking South)**

**STAGED NOTES (S-3)**

1. Relocate fiber optics and gas main prior to construction.
2. Underpin existing pedestrian bridge south pier.
3. Install sheet piling.
4. Excavate existing embankment as indicated on the east and west side of tracks.
5. Install bar tendons by horizontally directional drilling through existing embankment.
6. Install waters, see water detail on sheet S-4.
7. Remove existing wall on west end of tracks.
8. Remove a portion of the existing pedestrian bridge access ramp as required for installation of tunnel.



**PLAN - TUNNEL CONSTRUCTION - PRELIMINARY STAGE (PART 1)**

DESIGNED	KJH
CHECKED	BB
DRAWN	KJH
CHECKED	AWW

Remove a portion of exist. access ramp as required to construct tunnel

**CONSTRUCTION STAGING-PRELIMINARY STAGE (PART 1)**  
**STRUCTURE NO. 049-6159**

**McDonough Associates Inc.**  
Engineers / Architects  
130 East Randolph Street Chicago, Illinois 60601

SHEET NO. S-3 SHEETS S-25	F.A.U. RTE. 1257	SECTION 08-00083-00-BT	COUNTY LAKE	TOTAL SHEETS 51	SHEET NO. 23
	SN 049-6159		CONTRACT NO. 63450		
FED. ROAD DIST. NO. 1 ILLINOIS FED. AID PROJECT					