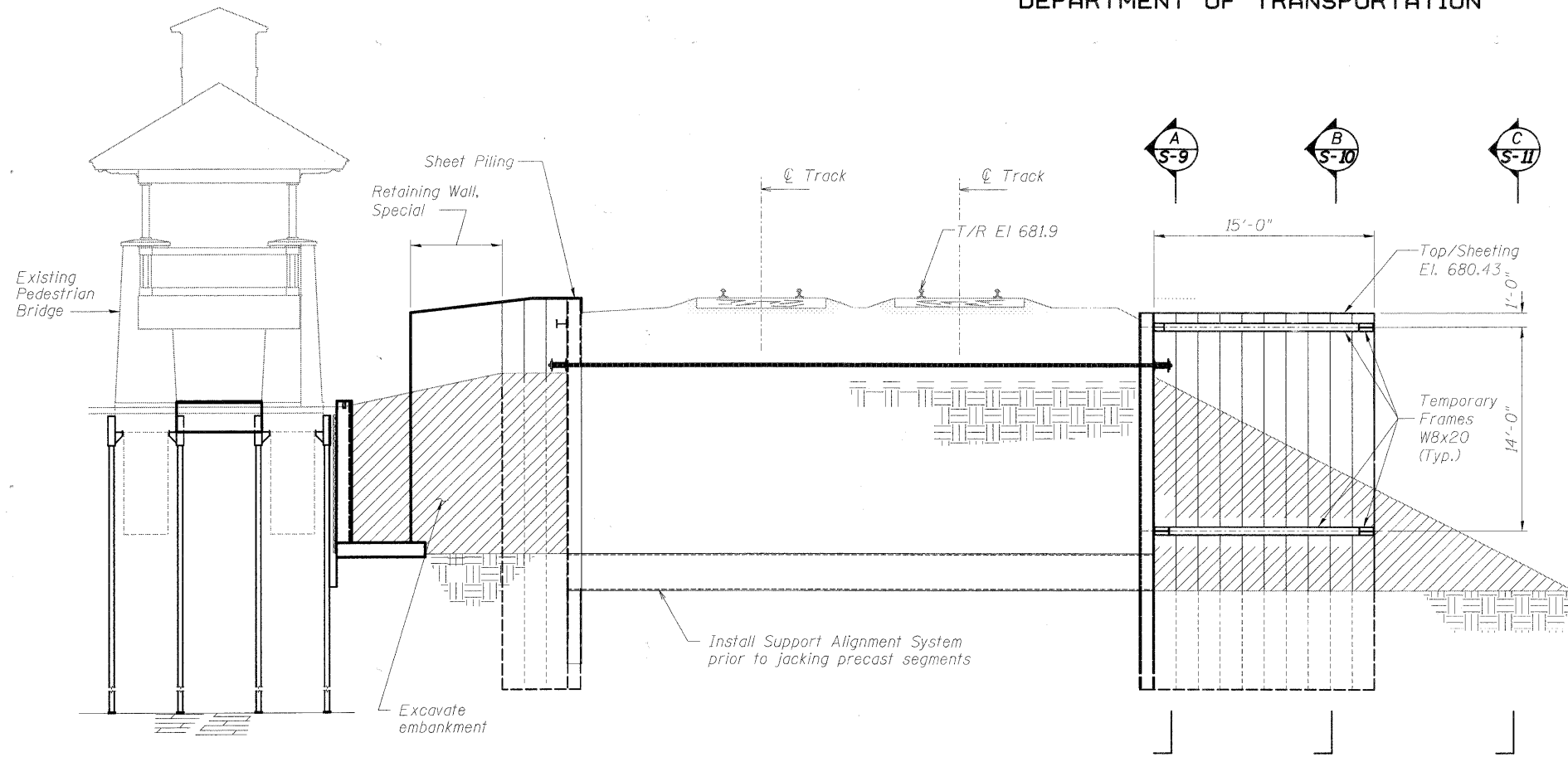
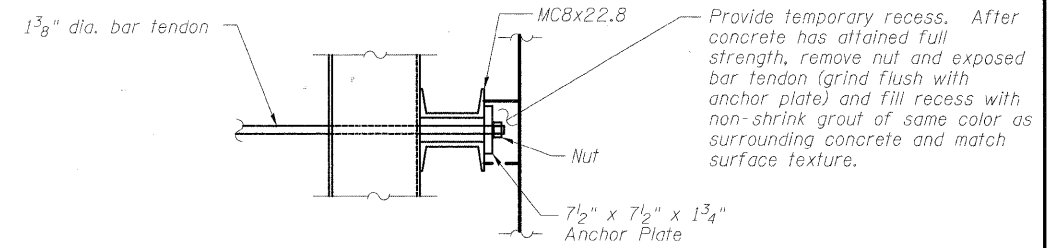


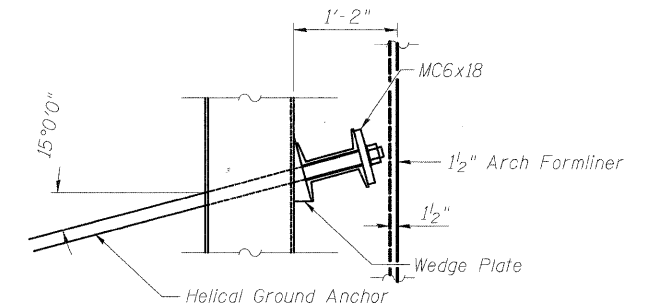
STATE OF ILLINOIS
DEPARTMENT OF TRANSPORTATION



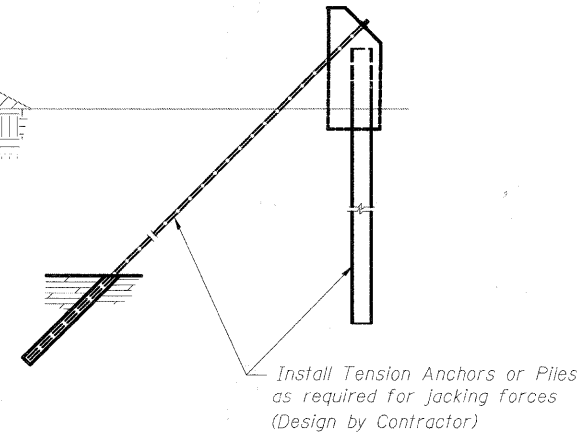
SECTION - TUNNEL CONSTRUCTION - PRELIMINARY STAGE (PART 2)



DETAIL 1 - WALER FOR THREAD BARS

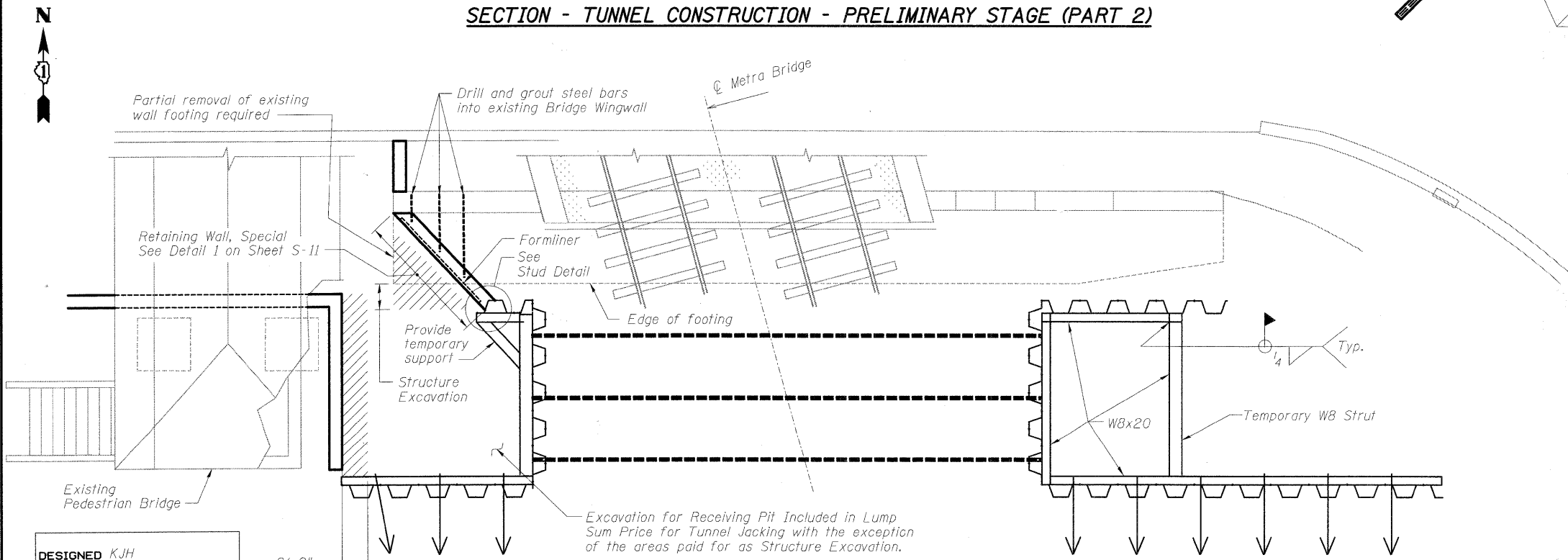


DETAIL 2 - WALER FOR HELICAL GROUND ANCHORS

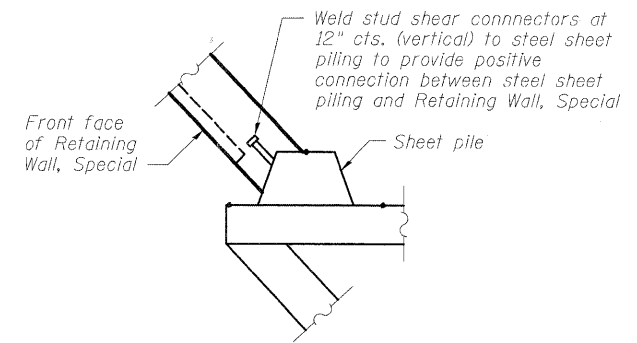


STAGED NOTES (S-4)

1. Install top temporary frames at each end of tunnel.
2. Excavate as needed to install support alignment system.
3. Install temporary frames at bottom of sheeting on east side of tunnel.
4. Install support alignment system.
5. Install tension anchors or piles as required for jacking purposes.



PLAN - TUNNEL CONSTRUCTION - PRELIMINARY STAGE (PART 2)



STUD DETAIL

**CONSTRUCTION STAGING-PRELIMINARY STAGE
(PART 2)
STRUCTURE NO. 049-6159**

DESIGNED	KJH
CHECKED	BB
DRAWN	KJH
CHECKED	AWW

McDonough Associates Inc.
Engineers / Architects
130 East Randolph Street Chicago, Illinois 60601

SHEET NO. S-4 SHEETS S-25	F.A.U. RTE. 1257	SECTION 08-00083-00-BT	COUNTY LAKE	TOTAL SHEETS 51	SHEET NO. 24
	SN 049-6159		CONTRACT NO. 63450		
FED. ROAD DIST. NO. 1 ILLINOIS FED. AID PROJECT					