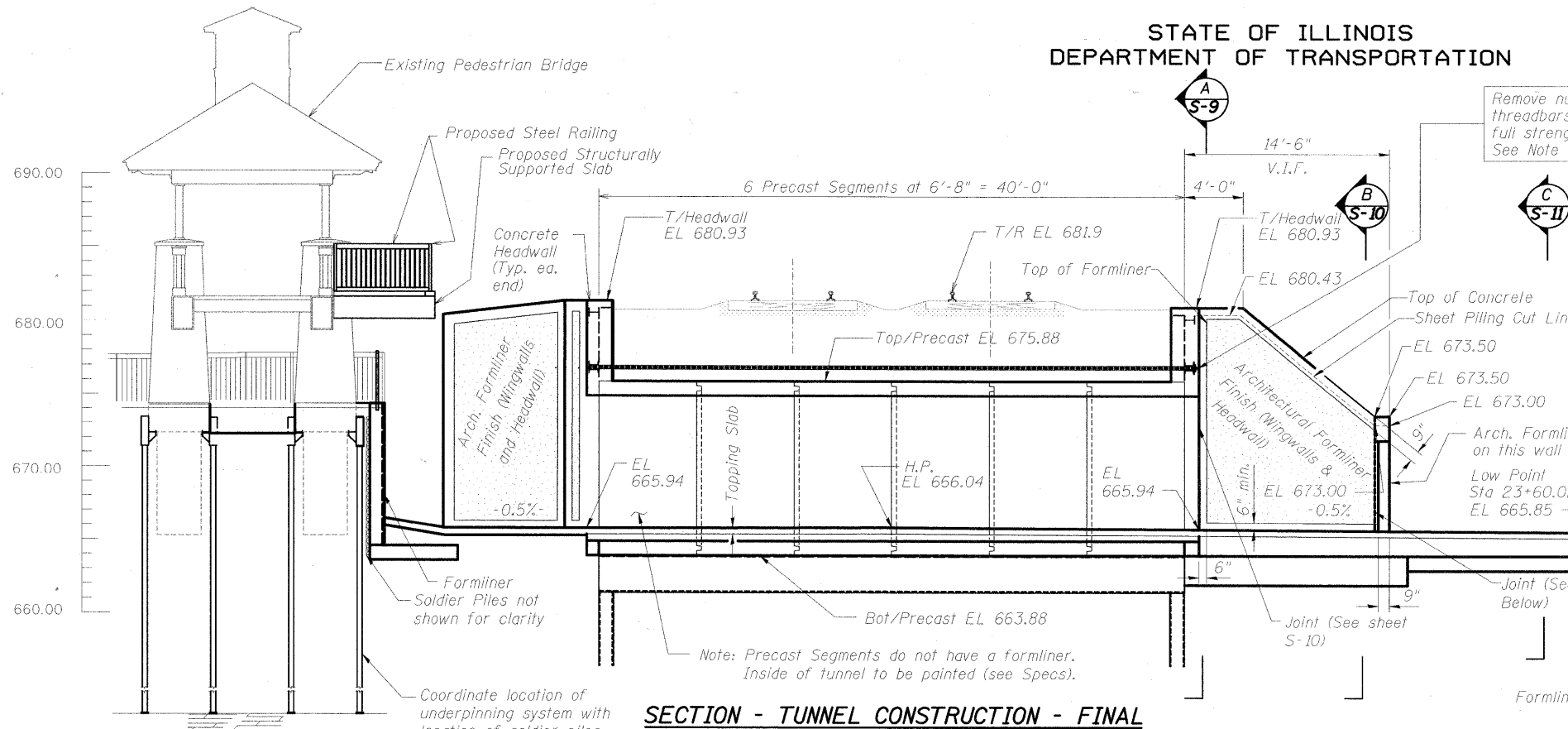
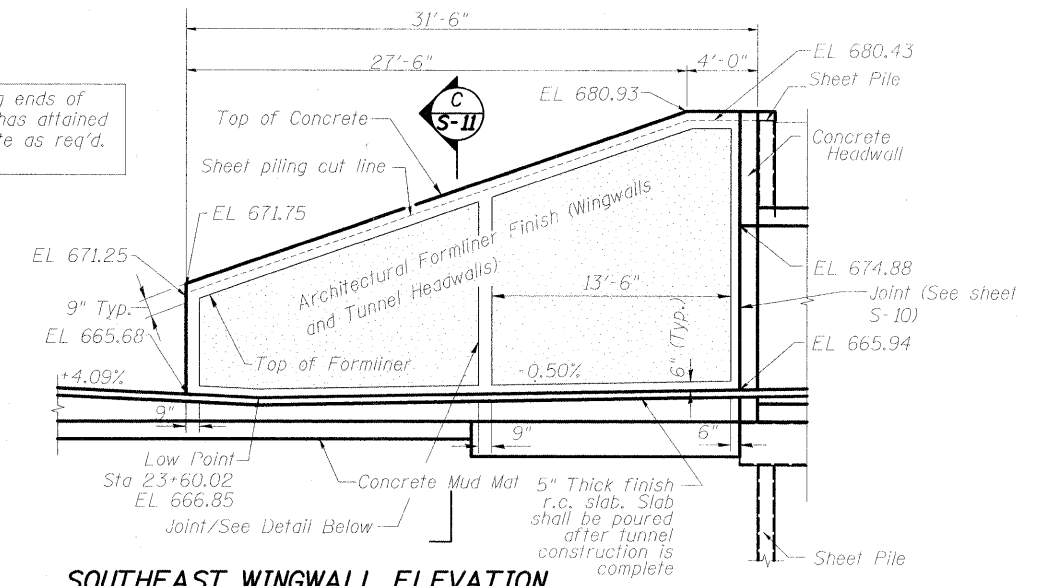


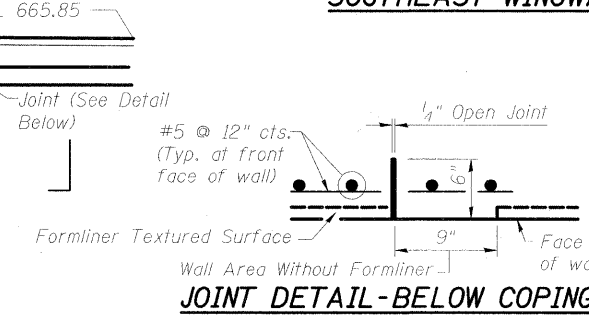
STATE OF ILLINOIS
DEPARTMENT OF TRANSPORTATION



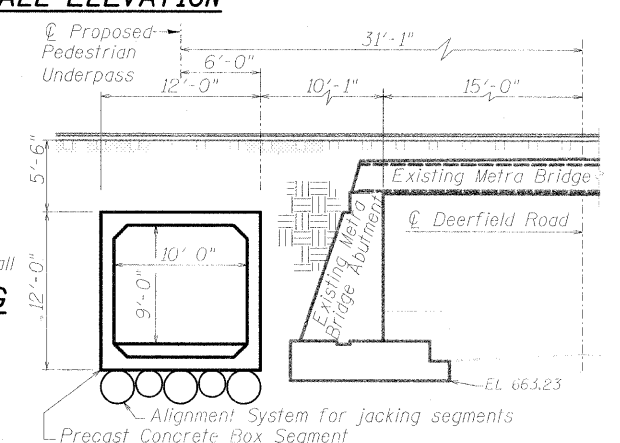
SECTION - TUNNEL CONSTRUCTION - FINAL



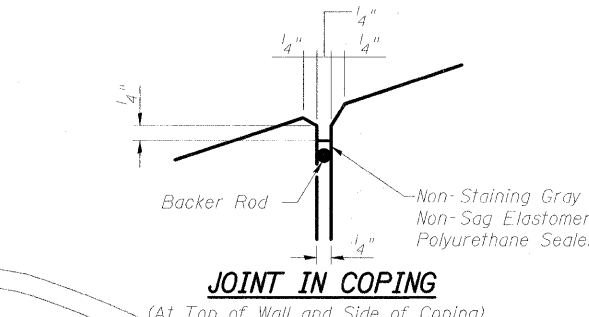
SOUTHEAST WINGWALL ELEVATION



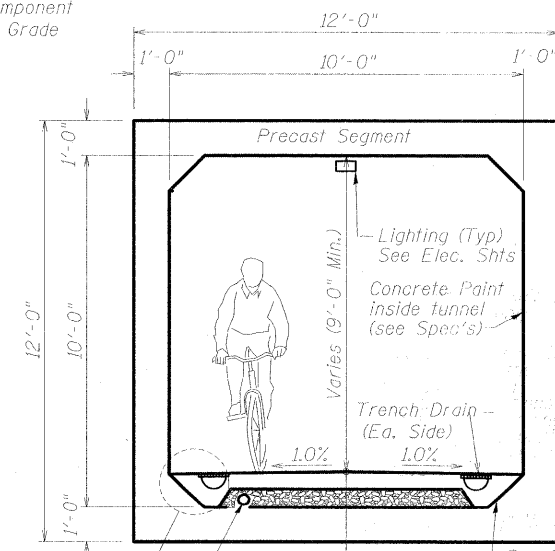
JOINT DETAIL-BELOW COPING



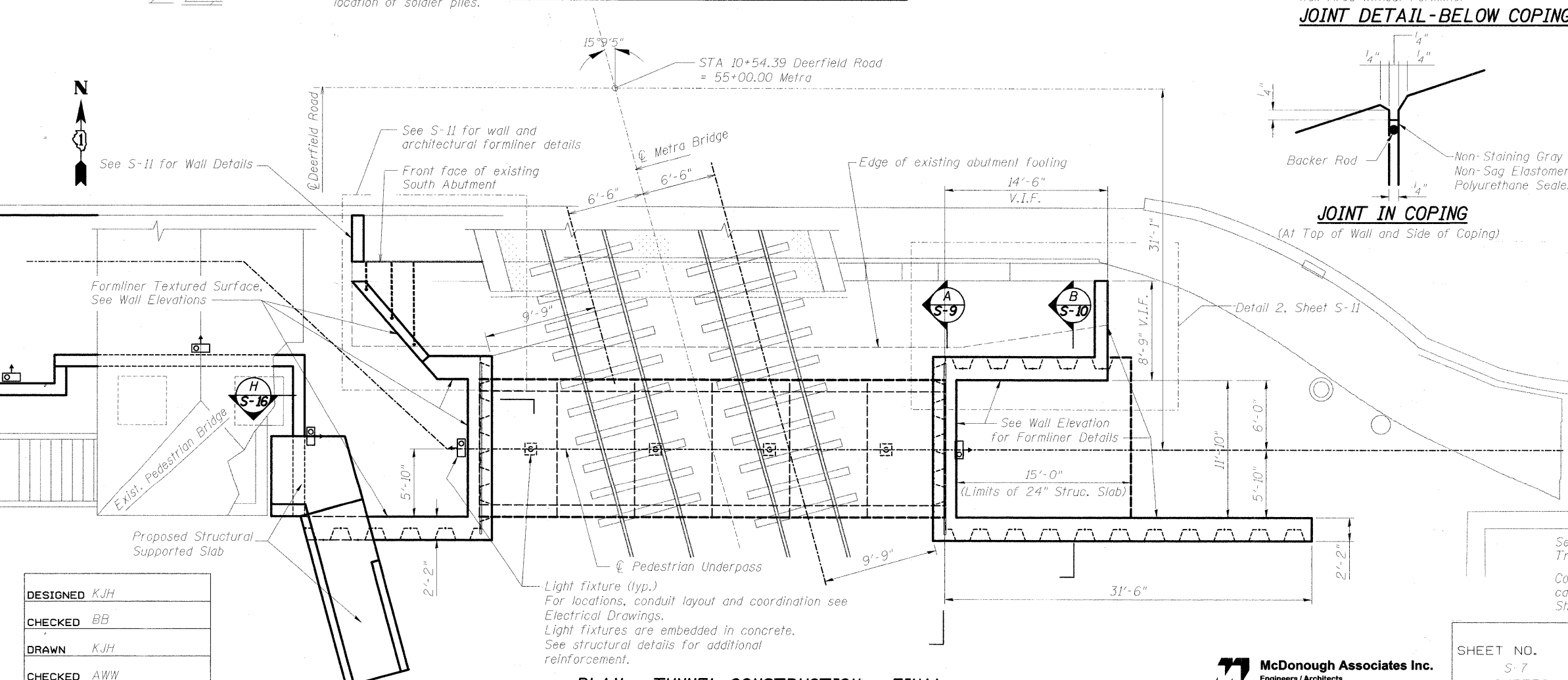
SECTION THRU UNDERPASS LOOKING WEST



JOINT IN COPING



UNDERPASS DETAIL



PLAN - TUNNEL CONSTRUCTION - FINAL

**TUNNEL DETAILS - FINAL
STRUCTURE NO. 049-6159**

DESIGNED	KJH
CHECKED	BB
DRAWN	KJH
CHECKED	AWW

McDonough Associates Inc.
Engineers / Architects
130 East Randolph Street Chicago, Illinois 60601

SHEET NO. S-7 SHEETS S-25	F.A.U. RTE. 1257	SECTION 08-00083-00-BT	COUNTY LAKE	TOTAL SHEETS 51	SHEET NO. 27
	SN 049-6159		CONTRACT NO. 63450		
FED. ROAD DIST. NO. 1 ILLINOIS FED. AID PROJECT					