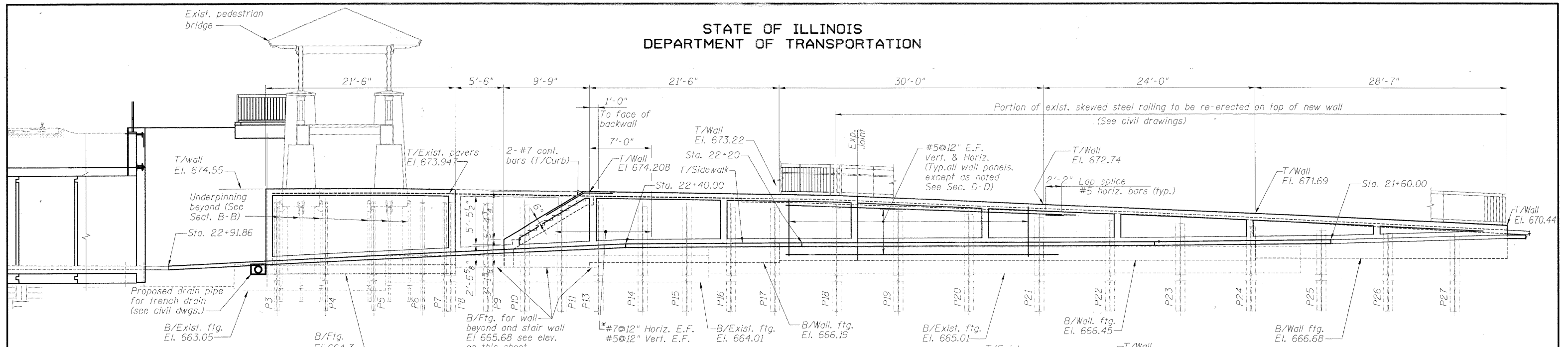
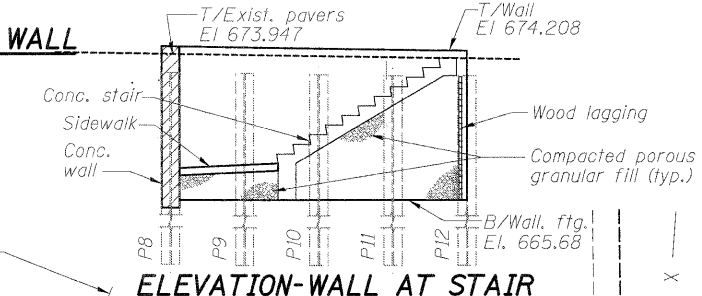


STATE OF ILLINOIS
DEPARTMENT OF TRANSPORTATION

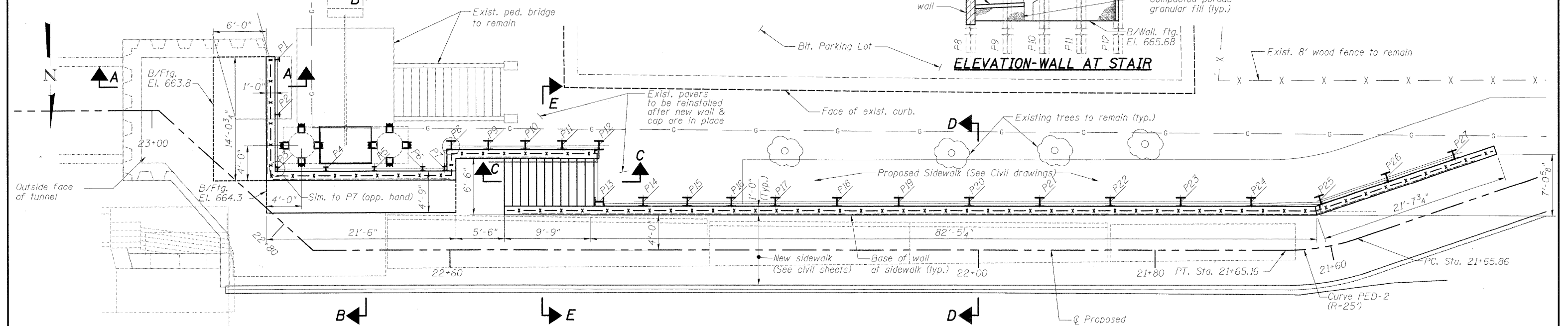


ELEVATION-PROPOSED RETAINING WALL

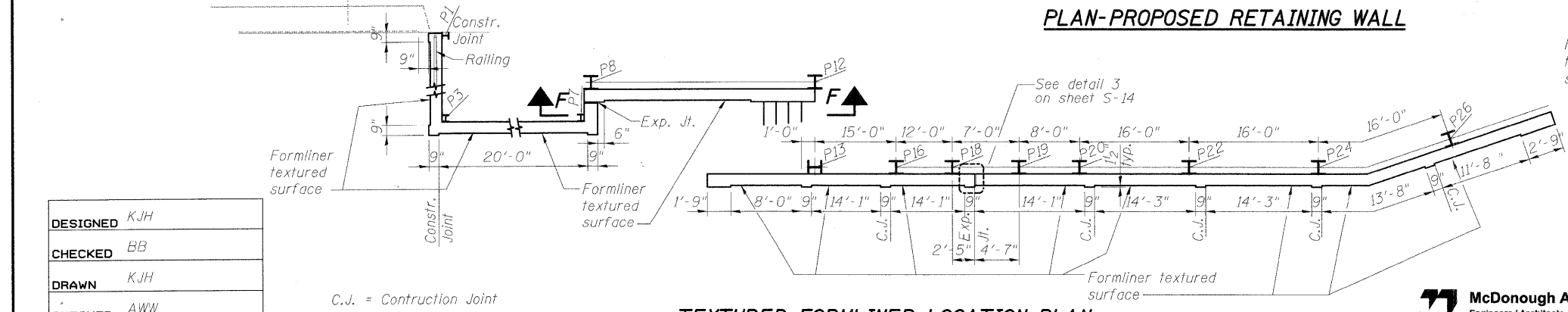
*Increase size of horizontal reinforcement bars in this area



ELEVATION-WALL AT STAIR

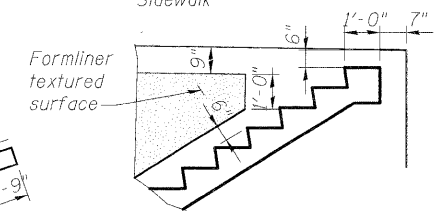


PLAN-PROPOSED RETAINING WALL



TEXTURED FORMLINER LOCATION PLAN

Scale: N.T.S.



SECTION-AT STAIR

- Note:
1. For exist. wall dimensions refer to drawing S-24 "For Reference Only"
 2. For section A-A, C-C and E-E, see sheet S-14. For Sections B-B and D-D, see sheet S-15.

**RETAINING WALL-PLAN & ELEVATION
STRUCTURE NO. 049-6159**

DESIGNED	KJH
CHECKED	BB
DRAWN	KJH
CHECKED	AWW

C.J. = Construction Joint

McDonough Associates Inc.
Engineers / Architects
130 East Randolph Street Chicago, Illinois 60601

SHEET NO. S-13 SHEETS S-25	F.A.U. RTE. 1257	SECTION 08-00083-00-BT	COUNTY LAKE	TOTAL SHEETS 51	SHEET NO. 33
	SN 049-6159		CONTRACT NO. 63450		
FED. ROAD DIST. NO. 1 ILLINOIS FED. AID PROJECT					