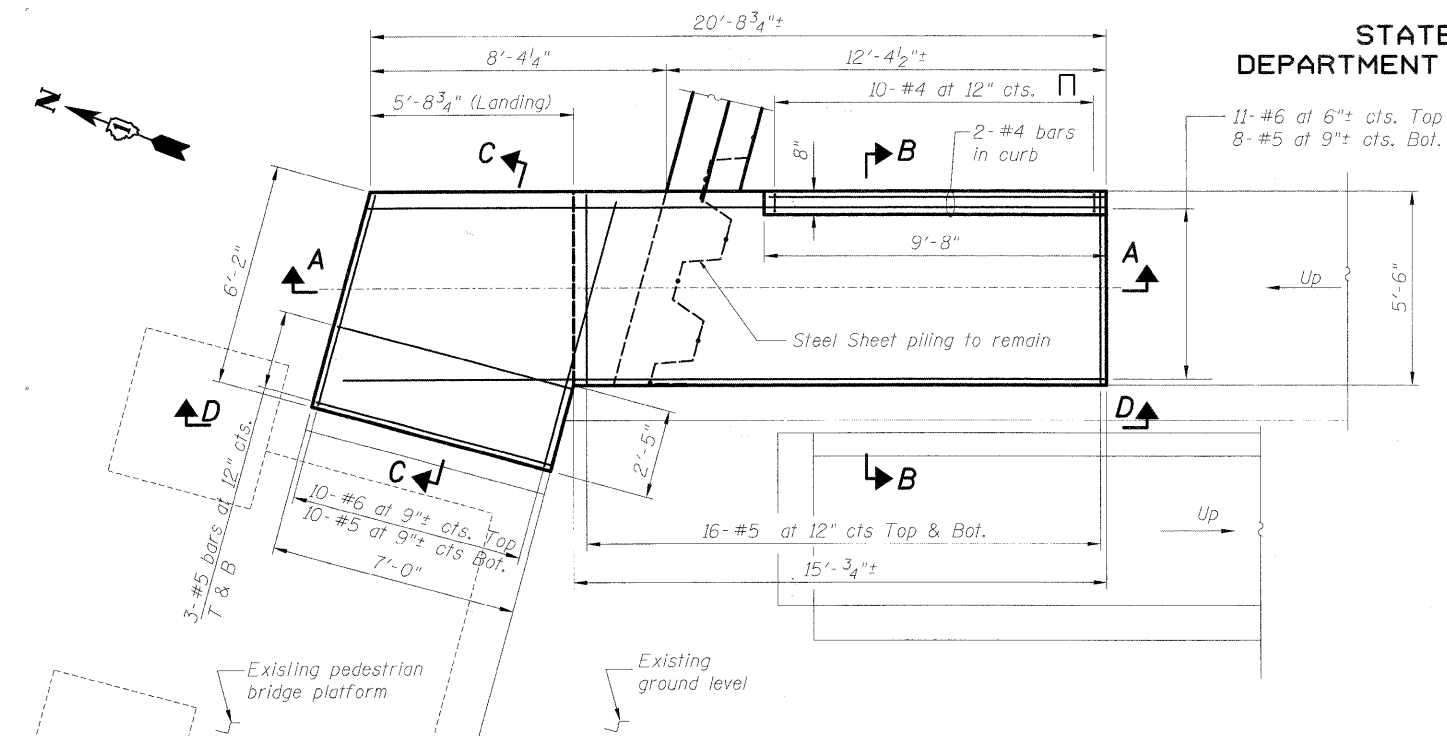
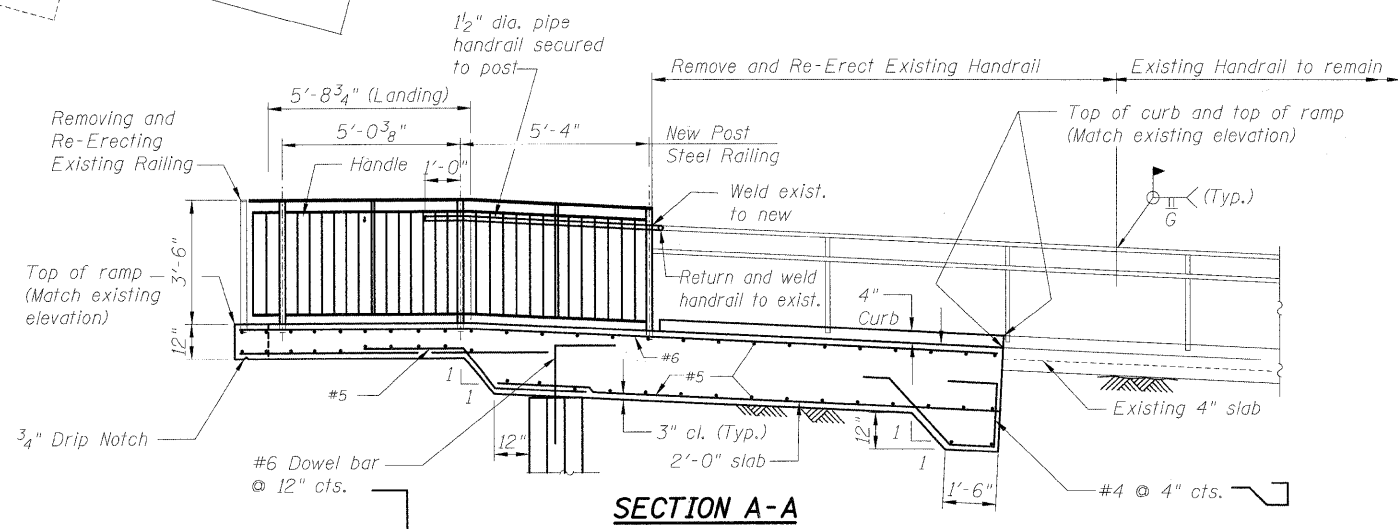


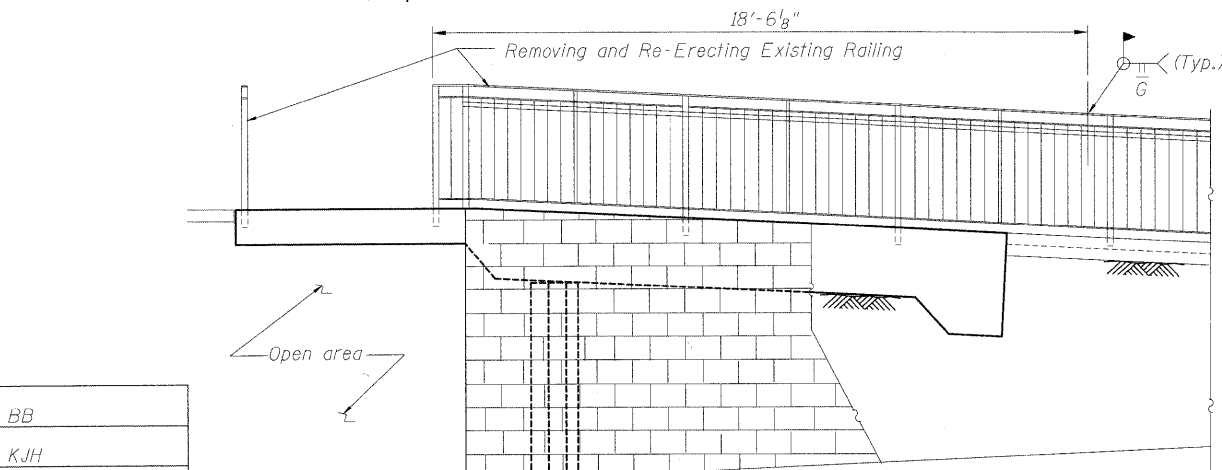
STATE OF ILLINOIS  
DEPARTMENT OF TRANSPORTATION



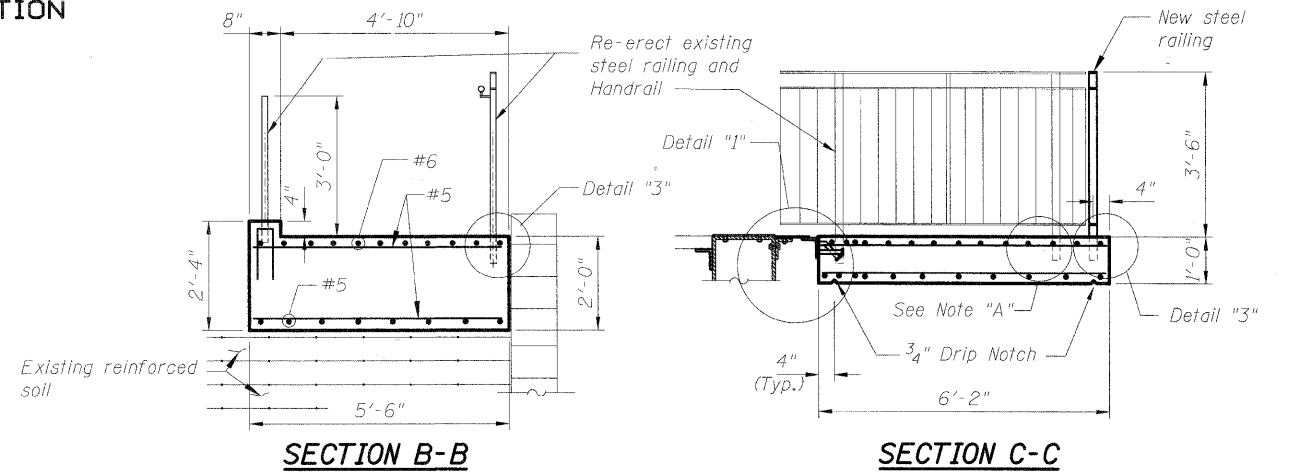
**PLAN - ACCESS RAMP REPLACEMENT**



**SECTION A-A**

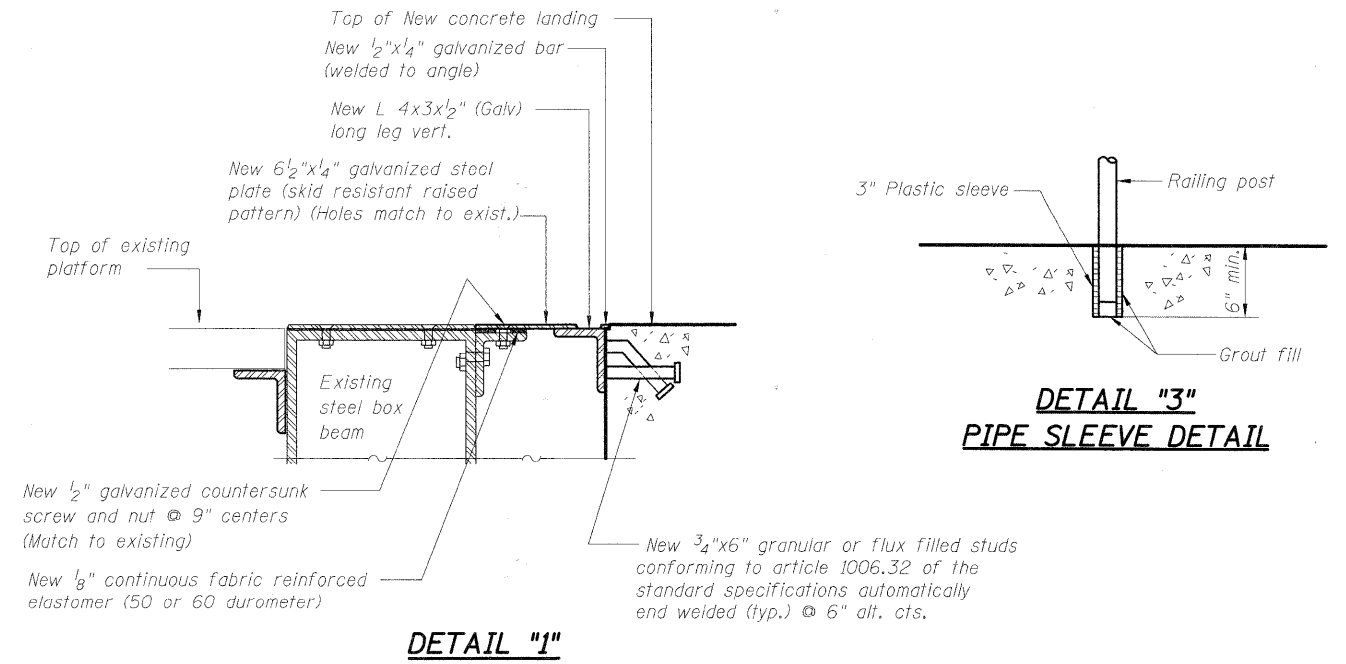


**SECTION D-D**



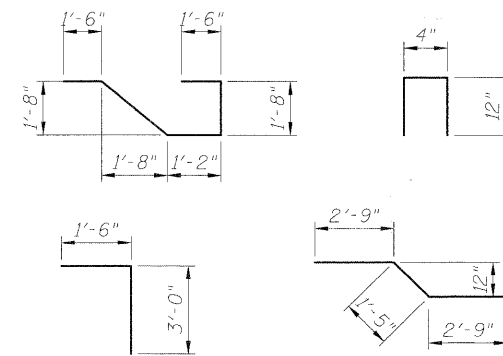
**SECTION B-B**

**SECTION C-C**



**DETAIL "1"**

**DETAIL "3"**  
**PIPE SLEEVE DETAIL**



**BENT BAR DETAILS**

DESIGNED	BB
CHECKED	KJH
DRAWN	RJ
CHECKED	BB

**ACCESS RAMP MODIFICATIONS-REPLACEMENT  
STRUCTURE NO. 049-6159**

**McDonough Associates Inc.**  
Engineers / Architects  
130 East Randolph Street Chicago, Illinois 60601

SHEET NO. S-17 SHEETS S-25	F.A.U. RTE. 1257	SECTION 08-00083-00-BT	COUNTY LAKE	TOTAL SHEETS 51	SHEET NO. 37
	SN 049-6159		CONTRACT NO. 63450		
FED. ROAD DIST. NO. 1 ILLINOIS FED. AID PROJECT					