

LEGEND

- ① EXISTING CURB & GUTTER TO BE REMOVED AT LOCATIONS AS SHOWN ON PLANS OR DIRECTED BY ENGINEER
- ② HOT-MIX ASPHALT SURFACE REMOVAL, 2-1/4"
- ③ EXISTING HOT-MIX ASPHALT BASE COURSE TO REMAIN, ±6"
- ④ EXISTING P.C. CONCRETE SIDEWALK TO BE REMOVED AT LOCATIONS AS SHOWN ON PLANS OR DIRECTED BY ENGINEER
- ⑤ HOT-MIX ASPHALT SURFACE COURSE, MIX C, N50 1 1/2"
- ⑥ COMBINATION CONCRETE CURB & GUTTER AT LOCATIONS AS SHOWN ON PLANS OR DIRECTED BY ENGINEER
- ⑦ LEVELING BINDER (MACHINE METHOD), N50, 3/4"
- ⑧ P.C. CONCRETE SIDEWALK, 5" AT LOCATIONS AS SHOWN ON PLANS OR DIRECTED BY ENGINEER
- ⑨ STRIP REFLECTIVE CRACK CONTROL TREATMENT AS DIRECTED BY ENGINEER

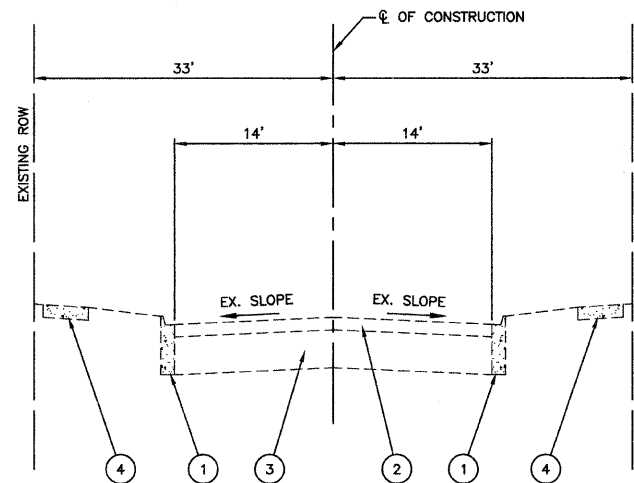
NOTE:
THE CONTRACTOR SHALL PERFORM MILLING OPERATIONS PRIOR TO PATCHING OPERATIONS.

HOT-MIX ASPHALT MIXTURE REQUIREMENTS

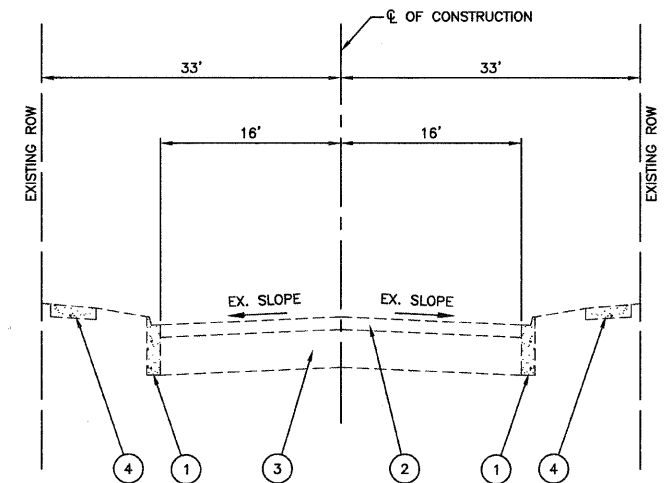
MIXTURE TYPE	AIR VOIDS @ Ndes
PAVEMENT RESURFACING	
HOT-MIX ASPHALT SURFACE COURSE, MIX C, N50, (IL 9.5 mm) 1 1/2"	4% @ 50 Gyr.
LEVELING BINDER (MACHINE METHOD), N50, (IL 9.5 mm) 3/4"	4% @ 50 Gyr.
HMA DRIVEWAY PAVEMENT, 6"	
HOT-MIX ASPHALT SURFACE COURSE, MIX C, N50, (IL 9.5 mm) 2"	4% @ 50 Gyr.
HOT-MIX ASPHALT BINDER COURSE, IL 19.0, N50, 4"	4% @ 50 Gyr.
HMA DRIVEWAY PAVEMENT, 3"	
HOT-MIX ASPHALT SURFACE COURSE, MIX C, N50, (IL 9.5 mm) 3"	4% @ 50 Gyr.
PATCHING	
CLASS D PATCHES, TYPE II, III, IV 6" (HMA BINDER IL-19 mm)	4% @ 70 Gyr.

NOTE:
THE UNIT WEIGHT USED TO CALCULATE ALL HOT-MIX ASPHALT SURFACE MIXTURE QUANTITIES IS 112 LBS/SY/IN.

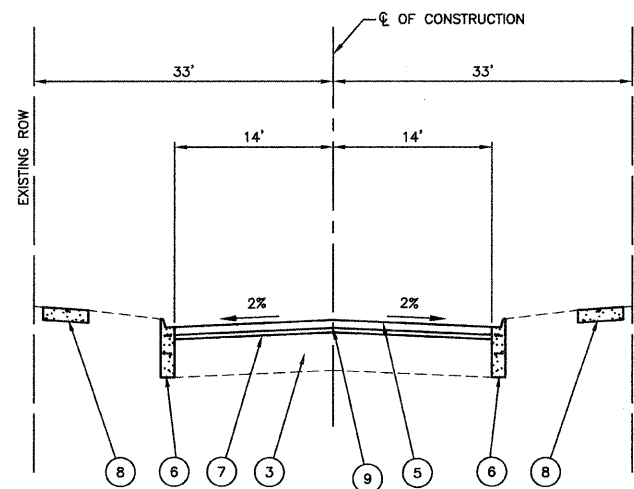
THE "AC TYPE" FOR POLYMERIZED HMA MIXES SHALL BE "SBS/SBR PG 70-22" AND FOR NON-POLYMERIZED HMA THE "AC TYPE" SHALL BE "PG 64-22" UNLESS MODIFIED BY DISTRICT ONE SPECIAL PROVISIONS." FOR "PERCENT OF RAP" SEE DISTRICT ONE SPECIAL PROVISIONS.



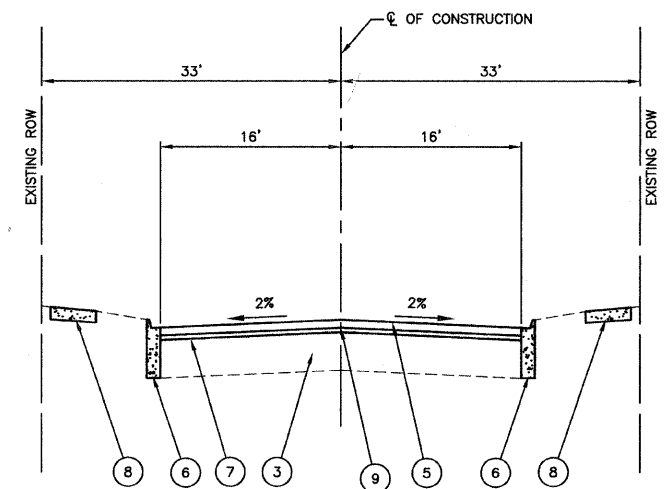
EXISTING TYPICAL CROSS SECTION
WENTWORTH AVENUE - 142ND STREET TO 143RD STREET
STATION 10+69.10 TO STATION 18+67.15



EXISTING TYPICAL CROSS SECTION
ATLANTIC AVENUE - 143RD STREET TO 144TH STREET
STATION 18+67.15 TO STATION 25+87.82



PROPOSED TYPICAL CROSS SECTION
WENTWORTH AVENUE - 142ND STREET TO 143RD STREET
STATION 10+69.10 TO STATION 18+67.15



PROPOSED TYPICAL CROSS SECTION
ATLANTIC AVENUE - 143RD STREET TO 144TH STREET
STATION 18+67.15 TO STATION 25+87.82

FILE NAME = 06804-TYPX-01 - IDOT P01	USER NAME =	DESIGNED -- MPN	REVISED -- 05-04-10
		CHECKED -- JAK	REVISED --
	PLOT SCALE =	DRAWN -- MJD	REVISED --
	PLOT DATE = 04-26-10	CHECKED -- AG	REVISED --

STATE OF ILLINOIS
DEPARTMENT OF TRANSPORTATION

WENTWORTH/ATLANTIC AVENUE STREET RESURFACING TYPICAL CROSS SECTIONS		F.A.U. RTE. 1599	SECTION 10-00120-00-RS	COUNTY COOK	TOTAL SHEETS 12	SHEET NO. 3
SCALE: NONE	SHEET NO. 3 OF 12 SHEETS	STA. TO STA.	CONTRACT NO. 63473			
		FED. ROAD DIST. NO. 1 ILLINOIS FED. AID PROJECT ARA-9003(806)				