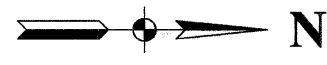
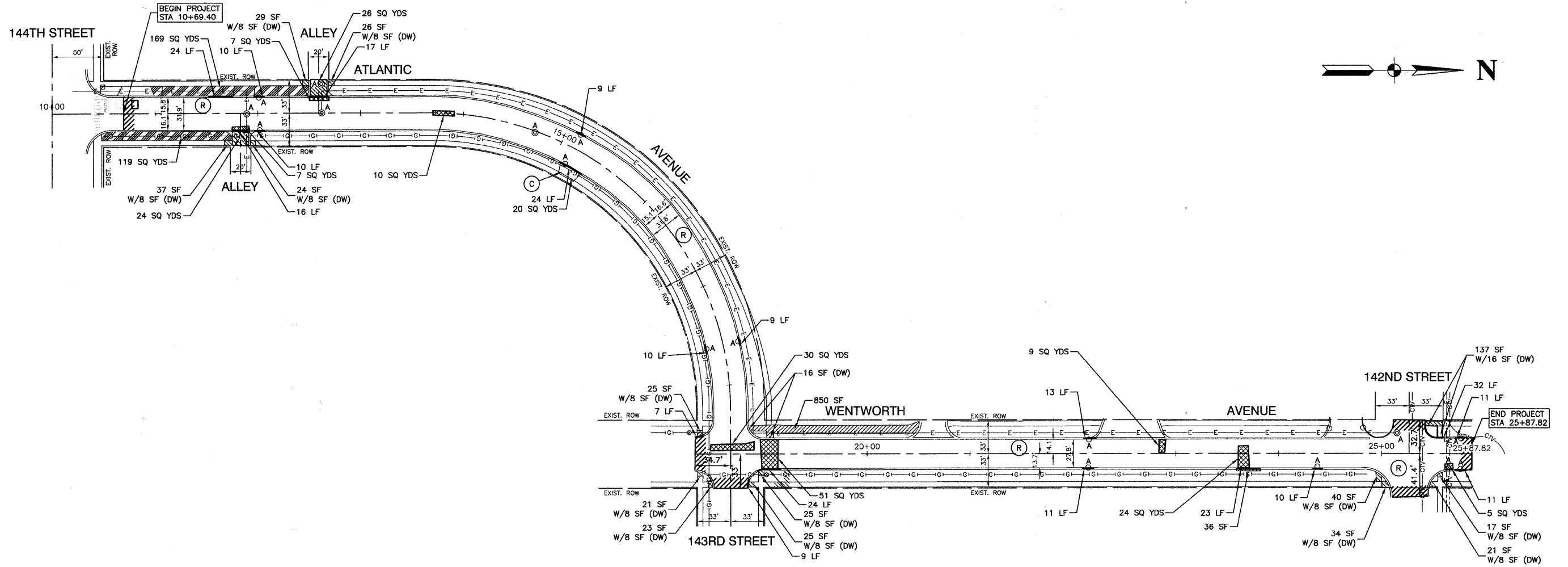


SECTION 4, TOWNSHIP 36, RANGE 14



LEGEND

- CLASS D PATCH, 6"
- HOT-MIX ASPHALT DRIVEWAY PAVEMENT, 6"
- HOT-MIX ASPHALT DRIVEWAY PAVEMENT, 3"
- PORTLAND CEMENT CONCRETE SIDEWALK, 5"
- CONCRETE SIDEWALK REMOVAL
- HOT-MIX ASPHALT SIDEWALK REMOVAL
- LIMITS OF RESURFACING / BUTT JOINT
- COMBINATION CONCRETE CURB & GUTTER REMOVAL AND REPLACEMENT
- A** STRUCTURE TO BE ADJUSTED
- (R)** HOT-MIX ASPHALT SURFACE REMOVAL, 2 1/2"
HOT-MIX ASPHALT SURFACE COURSE, MIX "C", N50 1 1/2"
LEVELING BINDER (MACHINE METHOD), N50 3/4"
- (C)** P.C.C. DRIVEWAY PAVEMENT, 6 INCH
- R** STRUCTURE TO BE RECONSTRUCTED
- (DW)** DETECTABLE WARNINGS

FILE NAME = 08604-PLAN-01 - IDOT P02	USER NAME =	DESIGNED — MPN	REVISED — 05-18-10
		CHECKED — JAK	REVISED —
	PLOT SCALE = 1"=50'	DRAWN — MJD	REVISED —
	PLOT DATE = 04-26-10	CHECKED — AG	REVISED —

STATE OF ILLINOIS
DEPARTMENT OF TRANSPORTATION

WENTWORTH/ATLANTIC AVENUE	
STREET RESURFACING	
PAVEMENT PLAN	
SCALE: 1"=50'	SHEET NO. 4 OF 12 SHEETS
STA. 10+69.40	TO STA. 25+87.82

F.A.U. RTE.	SECTION	COUNTY	TOTAL SHEETS	SHEET NO.
1999	10-00120-00-RS	COOK	12	4
CONTRACT NO. 63473				
FED. ROAD DIST. NO. 1 ILLINOIS FED. AID PROJECT ARA-9003(606)				