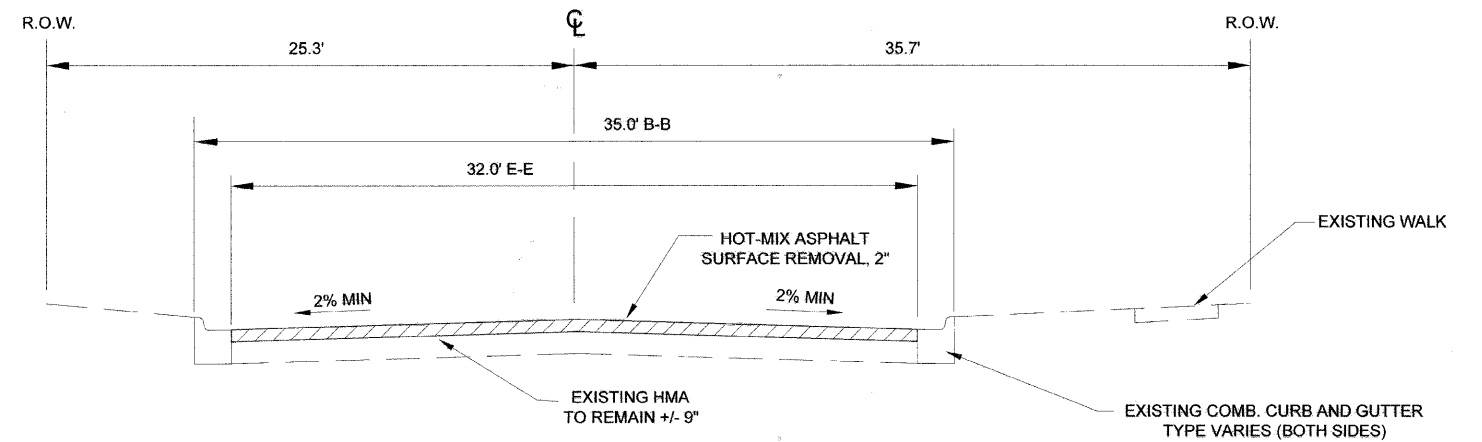


**EXISTING TYPICAL SECTION**  
 STA. 0+00 to STA. 2+50, HARWOOD AVENUE



**EXISTING TYPICAL SECTION**  
 STA. 2+50 to STA. 34+19.88, HARWOOD AVENUE & MAPLE ROAD

USER NAME	DESIGNED	REVISIONS
---	DJA	---
PLOT SCALE	DRAWN	REVISIONS
---	DJA	---
PLOT DATE	CHECKED	REVISIONS
---	MM	---
	DATE	REVISIONS
	04-28-10	---

F.A.U. RTE.	SECTION	COUNTY	TOTAL SHEETS	SHEET NO.
2845	10-00130-00-RS	COOK	12	4
<b>CONTRACT NO. 63479</b>				
FED. ROAD DIST. NO. 1    ILLINOIS    FED. AID PROJECT				