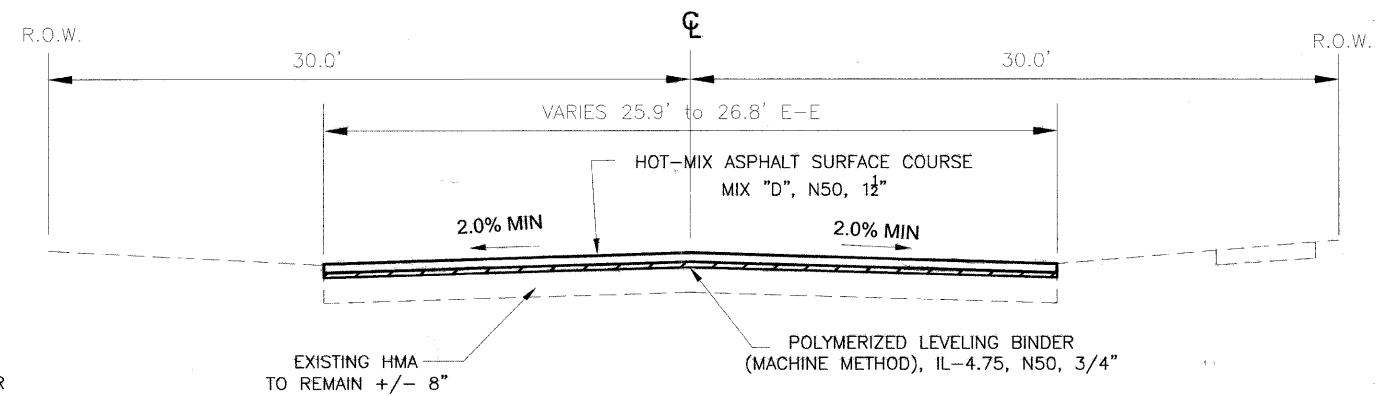


**PROPOSED TYPICAL SECTION**  
 STA. 0+00 to STA. 2+41.93, HARWOOD AVENUE



**PROPOSED TYPICAL SECTION**  
 STA. 8+19.19 to STA. 30+89.16, HARWOOD AVENUE

NOTE: CONTRACTOR SHALL MILL BEFORE PATCHING.  
**HOT-MIX ASPHALT MIXTURE REQUIREMENTS**

MIXTURE TYPE	VOIDS @ Ndes
<b>PAVEMENT RESURFACING</b>	
POLYMERIZED LEVELING BINDER (MACHINE METHOD), IL-4.75, N50, 3/4"	4% @ 50 GYR
HOT-MIX ASPHALT SURFACE COURSE MIX "D", N50 (IL-9.5mm)	4% @ 50 GYR
<b>DRIVEWAYS</b>	
HOT-MIX ASPHALT SURFACE COURSE, MIX "C", N50 (IL-9.5mm), 3"	4% @ 50 GYR

THE UNIT WEIGHT USED TO CALCULATE ALL HMA SURFACE MIXTURE QUANTITIES IS 112 LBS/SQ YD/IN.

THE "AC TYPE" FOR POLYMERIZED HMA MIXES SHALL BE "SBS/SBR PG 70-22" AND FOR NON-POLYMERIZED HMA THE "AC TYPE" SHALL BE "PG 64-22" UNLESS MODIFIED BY DISTRICT ONE SPECIAL PROVISIONS. FOR "PERCENT OF RAP" SEE DISTRICT ONE SPECIAL PROVISIONS.



VILLAGE OF HOMEWOOD  
 ENGINEERING  
 DIVISION

USER NAME	DESIGNED	REVISED
---	DJA	5-21-10
PLOT SCALE	DRAWN	REVISED
---	DJA	---
PLOT DATE	CHECKED	REVISED
---	MM	---
	DATE	REVISED
	04-28-10	---

STATE OF ILLINOIS  
 DEPARTMENT OF TRANSPORTATION

PROPOSED TYPICAL SECTIONS

SCALE: NONE SHEET NO. 5 OF 12 SHEETS STA. TO STA.

F.A.U. RTE.	SECTION	COUNTY	TOTAL SHEETS	SHEET NO.
2845	10-00131-00-RS	COOK	12	5
FED. ROAD DIST. NO. 1 ILLINOIS FED. AID PROJECT			CONTRACT NO. 63480	