

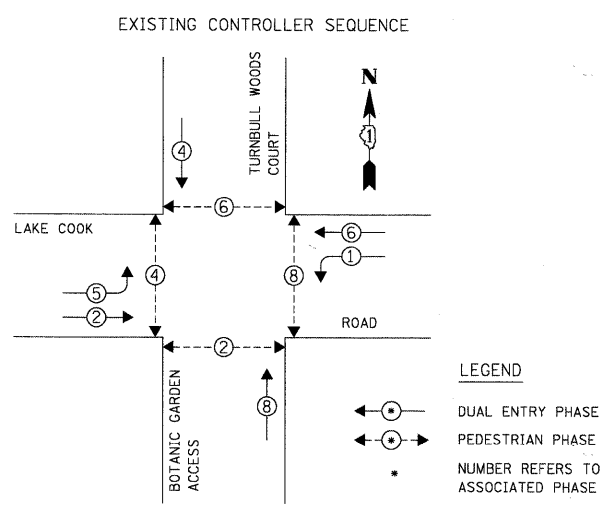
DATE: \_\_\_\_\_ BY: \_\_\_\_\_  
 SURVEYED: \_\_\_\_\_ PLOTTED: \_\_\_\_\_  
 CHECKED: \_\_\_\_\_ RT. OF WAY CHECKED: \_\_\_\_\_  
 NO. \_\_\_\_\_ CAD FILE NAME: \_\_\_\_\_

PLAN: \_\_\_\_\_  
 NO. \_\_\_\_\_

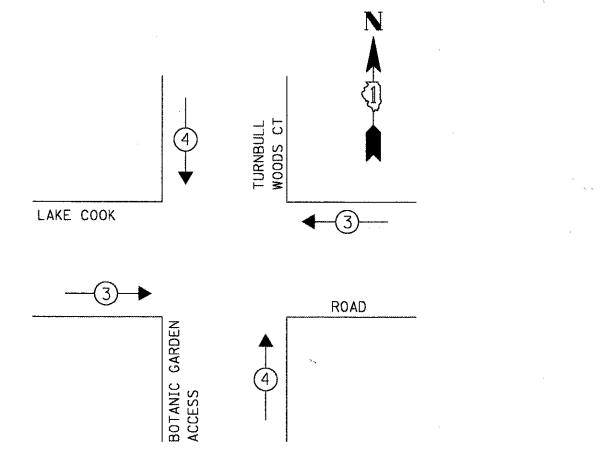
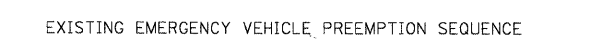
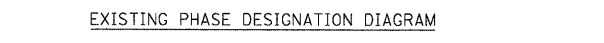
DATE: \_\_\_\_\_ BY: \_\_\_\_\_  
 SURVEYED: \_\_\_\_\_ PLOTTED: \_\_\_\_\_  
 CHECKED: \_\_\_\_\_ RT. OF WAY CHECKED: \_\_\_\_\_  
 NO. \_\_\_\_\_ CAD FILE NAME: \_\_\_\_\_

PROFILE: \_\_\_\_\_  
 NO. \_\_\_\_\_

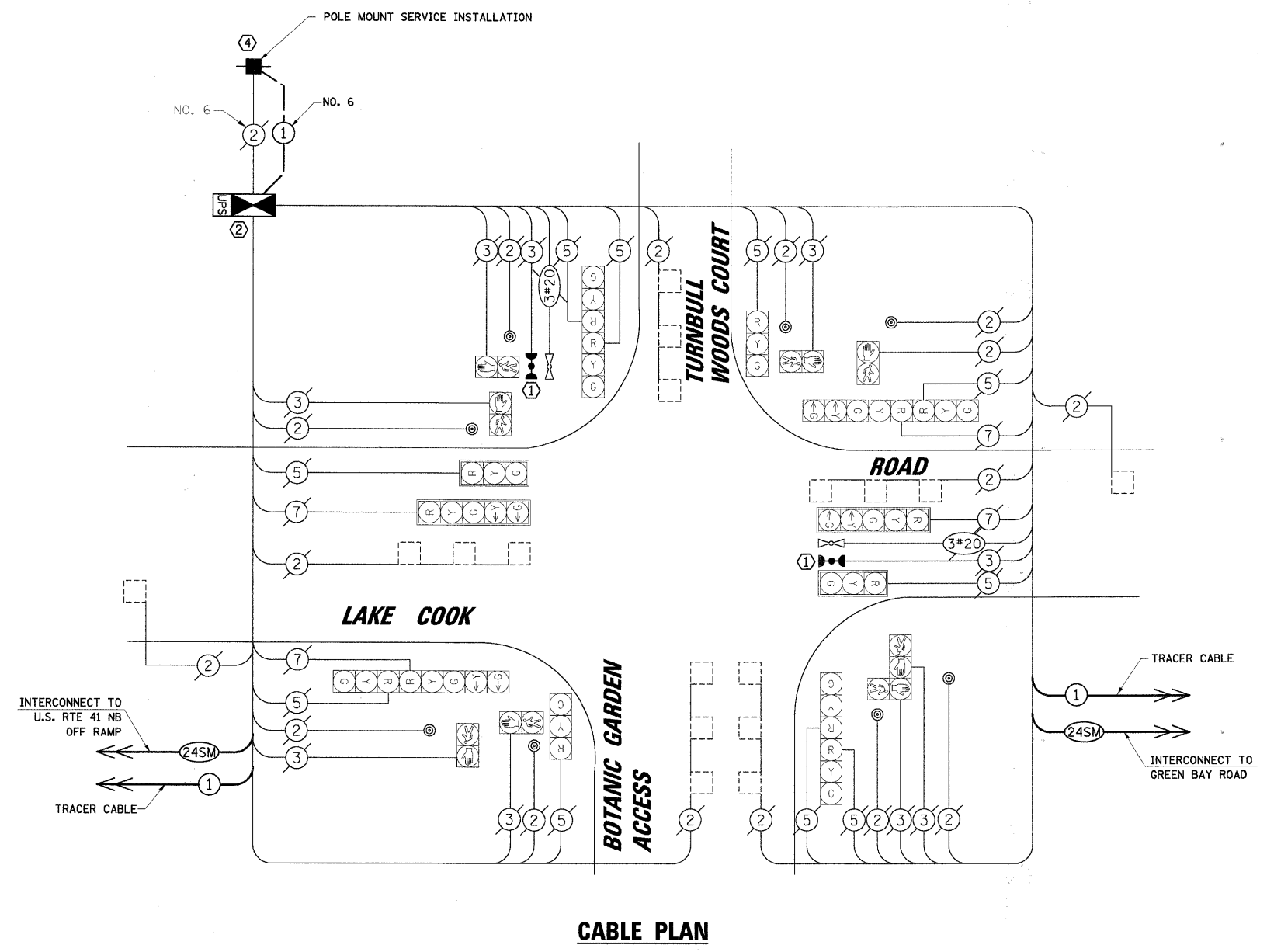
**CHRISTOPHER B. BURKE ENGINEERING LTD.**  
 9575 West Higgins Road, Suite 600  
 Rosemont, Illinois 60018  
 (847) 823-0500



**LEGEND**  
 ← ● → DUAL ENTRY PHASE  
 ← ● → PEDESTRIAN PHASE  
 ● NUMBER REFERS TO ASSOCIATED PHASE



EXISTING EMERGENCY VEHICLE PREEMPTORS			
EMERGENCY VEHICLE PREEMPTOR	3	4	
MOVEMENT	←	→	↑



**CABLE PLAN**

THE FOLLOWING ITEMS SHALL BE REMOVED BY THE CONTRACTOR AND SHALL BE DISPOSED OF BY THEM OUTSIDE THE RIGHT-OF-WAY AT THEIR EXPENSE. THE SALVAGE VALUE OF THE REMOVED EQUIPMENT SHALL BE REFLECTED IN THE CONTRACT BID PRICE.

1 EACH CONTROLLER AND CABINET (COMPLETE)  
 1 EACH SERVICE INSTALLATION

- CONSTRUCTION NOTES:**
- ① ALL EXISTING CONFIRMATION BEACONS SHALL BE RETROFITTED WITH LED INDICATIONS. THIS WORK SHALL BE INCLUDED IN THE COST FOR THE PAY ITEM: UNINTERRUPTIBLE POWER SUPPLY.
  - ② RELOCATE EXISTING LIGHT DETECTOR AMPLIFIER TO NEW CONTROLLER CABINET.
  - ③ THE TRAFFIC SIGNAL CONTROLLER SHALL BE NTCIP COMPATIBLE.
  - ④ INSTALL NEW POLE MOUNT SERVICE INSTALLATION. INSTALL SERVICE GROUND CABLE IN EXISTING CONDUIT.
  - ⑤ A MANUAL PHASE ADVANCE SWITCH SHALL BE PROVIDED. THIS SHALL BE INCLUDED IN THE COST FOR THE PAY ITEM: FULL ACTUATED CONTROLLER AND TYPE IV CABINET, SPECIAL.

**SCHEDULE OF QUANTITIES**

ITEM	UNIT	TOTAL
MAINTENANCE OF EXISTING TRAFFIC SIGNAL INSTALLATION	EACH	1
FULL-ACTUATED CONTROLLER AND TYPE IV CABINET, SPECIAL	EACH	1
RELOCATE EXISTING EMERGENCY VEHICLE PRIORITY SYSTEM, PHASING UNIT	EACH	1
REMOVE EXISTING TRAFFIC SIGNAL EQUIPMENT	EACH	1
SERVICE INSTALLATION - POLE MOUNTED	EACH	1
UNINTERRUPTIBLE POWER SUPPLY	EACH	1
LAYER II (DATALINK) SWITCH	EACH	1
DRILL EXISTING HANDHOLE	EACH	2
INDUCTIVE LOOP DETECTOR	EACH	7
ELECTRIC CABLE IN CONDUIT, GROUNDING NO. 6 1C	FOOT	40

**NOTE:**  
 THE TRAFFIC SIGNAL CONTROLLER EQUIPMENT FOR THIS PROJECT SHALL BE "ECONOLITE" TO MATCH THE EXISTING ADJACENT SYSTEM.

L.C.D.O.T. TRAFFIC SIGNAL INSTALLATION ELECTRICAL SERVICE REQUIREMENTS				
TYPE	NO. OF LAMPS	WATTAGE X INCAND.	LED X % OPERATION	TOTAL WATTAGE
SIGNAL (RED)	14	10	0.50	70.0
(YELLOW)	14	19	0.10	26.6
(GREEN)	14	11	0.40	61.6
ARROW	8	9	0.10	7.20
PED. SIGNAL	8	9	1.00	72.0
CONTROLLER	1	100	1.00	100.0
LUMINAIRE	-	250	0.50	-
L.E.D. ST. NAME SIGN	-	64	0.50	-
VIDEO SYSTEM	-	150	1.00	-
BATTERY BACKUP	1	25	1.00	25.0

ENERGY COSTS TO: TOTAL = 362.40

**CITY OF HIGHLAND PARK**  
 1707 ST. JOHNS AVENUE  
 HIGHLAND PARK, IL 60035-3593  
 ENERGY SUPPLY: CONTACT: JEAN WILL  
 PHONE: (847) 816-5459  
 COMPANY: COMED

FILE NAME =	USER NAME = FBARISO	DESIGNED - ABR	REVISED -
N:\L\CDOT\890487\Traffic\CAB.L\CRD-Turnbull.dgn		DRAWN - FPB / FCP	REVISED -
		CHECKED - MJT	REVISED -
		DATE - APRIL 30, 2010	REVISED -

**STATE OF ILLINOIS  
 DEPARTMENT OF TRANSPORTATION**

**SCHEDULE OF QUANTITIES, CABLE PLAN, PHASE DESIGNATION DIAGRAM AND EMERGENCY VEHICLE PREEMPTION SEQUENCE  
 LAKE COOK ROAD AND TURNBULL WOODS COURT**

F.A.P. RTE.	SECTION	COUNTY	TOTAL SHEETS	SHEET NO.
	06-00924-00-TL	LAKE	76	18
CONTRACT NO. 63485			ILLINOIS FED. AID PROJECT	

SCALE: NOT TO SCALE SHEET NO. -- OF -- SHEETS STA. -- TO STA. --