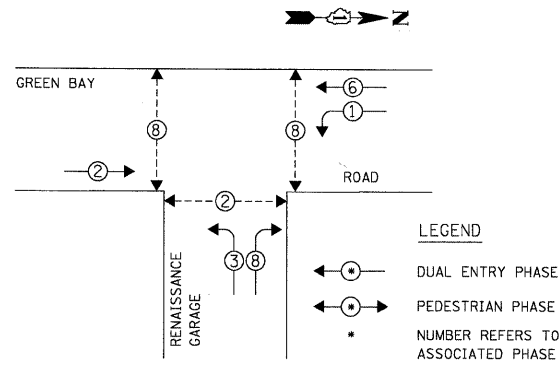


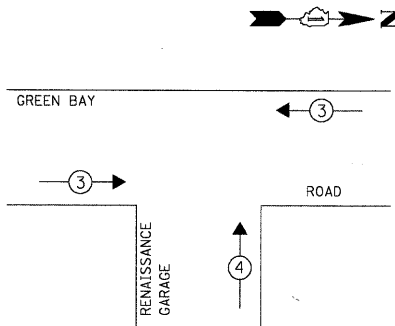
DATE: _____ BY: _____
 SURVEYED: _____ PLOTTED: _____
 PLAN: _____ NOTE BOOK: _____
 NO. _____ NO. _____
CHRISTOPHER B. BURKE ENGINEERING LTD.
 9575 West Higgins Road, Suite 600
 Rosemont, Illinois 60018
 (847) 823-0500
 PROFILE SURVEYED: _____ PLOTTED: _____
 NOTE BOOK: _____ NO. _____
 STRUCTURE NOTATIONS CHRD

EXISTING CONTROLLER SEQUENCE



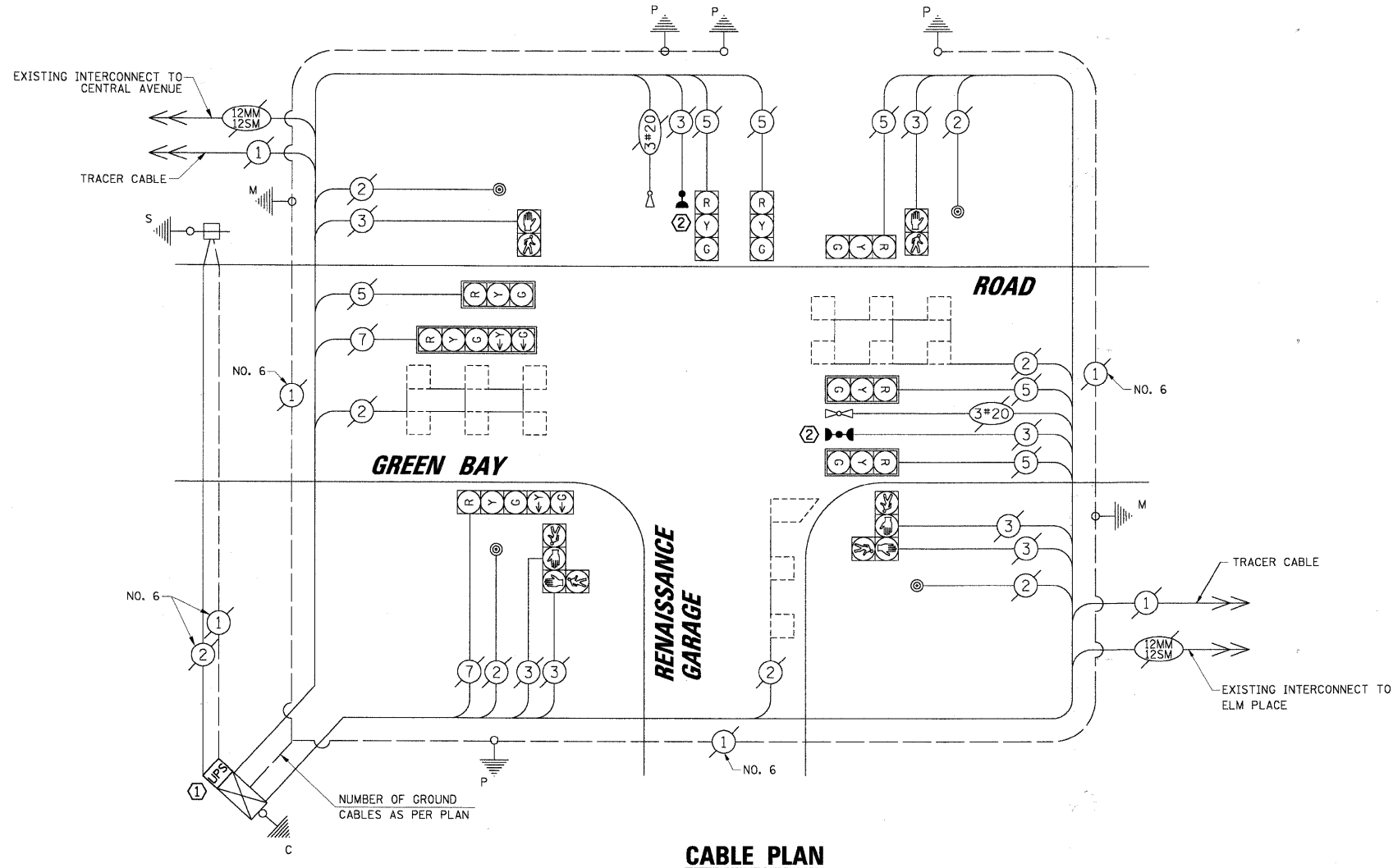
EXISTING PHASE DESIGNATION DIAGRAM

EXISTING EMERGENCY VEHICLE PREEMPTION SEQUENCE



EXISTING EMERGENCY VEHICLE PREEMPTORS

EMERGENCY VEHICLE PREEMPTOR	3	4
MOVEMENT	←	↑



CABLE PLAN

SCHEDULE OF QUANTITIES

ITEM	UNIT	TOTAL
MAINTENANCE OF EXISTING TRAFFIC SIGNAL INSTALLATION	EACH	1
FULL-ACTUATED CONTROLLER IN EXISTING CABINET, SPECIAL	EACH	1
MODIFY EXISTING CONTROLLER CABINET	EACH	1
REMOVE EXISTING TRAFFIC SIGNAL EQUIPMENT	EACH	1
UNINTERRUPTIBLE POWER SUPPLY	EACH	1
LAYER II (DATALINK) SWITCH	EACH	1
SPLICE FIBER IN CABINET	EACH	6
TERMINATE FIBER IN CABINET	EACH	12

THE FOLLOWING ITEMS SHALL BE REMOVED BY THE CONTRACTOR AND SHALL BE DISPOSED OF BY THEM OUTSIDE THE RIGHT-OF-WAY AT THEIR EXPENSE. THE SALVAGE VALUE OF THE REMOVED EQUIPMENT SHALL BE REFLECTED IN THE CONTRACT BID PRICE.

1 EACH CONTROLLER

CONSTRUCTION NOTES:

- ① INSTALL UNINTERRUPTIBLE POWER SUPPLY (UPS).
- ② ALL EXISTING CONFIRMATION BEACONS SHALL BE RETROFITTED WITH LED INDICATIONS. THIS WORK SHALL BE INCLUDED IN THE COST FOR THE PAY ITEM: UNINTERRUPTIBLE POWER SUPPLY.
- ③ THE TRAFFIC SIGNAL CONTROLLER SHALL BE NTCIP COMPATIBLE.

NOTE:
 THE TRAFFIC SIGNAL CONTROLLER EQUIPMENT FOR THIS PROJECT SHALL BE "EAGLE" TO MATCH THE EXISTING ADJACENT SYSTEM.

L.C.D.O.T. TRAFFIC SIGNAL INSTALLATION ELECTRICAL SERVICE REQUIREMENTS					TOTAL WATTAGE
TYPE	NO. OF LAMPS	WATTAGE X INCAND.	LED	% OPERATION	
SIGNAL (RED)	8		10	0.50	40.0
(YELLOW)	8		19	0.10	15.2
(GREEN)	8		11	0.40	35.2
ARROW	4		9	0.10	3.6
PED. SIGNAL	6		9	1.00	54.0
CONTROLLER	1		100	1.00	100.0
LUMINAIRE	-		250	0.50	-
L.E.D. ST. NAME SIGN	-		64	0.50	-
VIDEO SYSTEM	-		150	1.00	-
BATTERY BACKUP	1		25	1.00	25.0

ENERGY COSTS TO: TOTAL = 273.0

CITY OF HIGHLAND PARK
 1707 ST. JOHNS AVENUE
 HIGHLAND PARK, IL 60035-3593
 ENERGY SUPPLY: CONTACT: JEAN WILL
 PHONE: (847) 816-5459
 COMPANY: COMED

FILE NAME =	USER NAME = FBARISO	DESIGNED - ABR	REVISED -
N:\L\CDOT\090407\Tran\file\CABL.GBRD-Renaissance.dgn		DRAWN - FPB / FCP	REVISED -
		CHECKED - MJT	REVISED -
		DATE - APRIL 30, 2010	REVISED -

STATE OF ILLINOIS DEPARTMENT OF TRANSPORTATION

SCHEDULE OF QUANTITIES, CABLE PLAN, PHASE DESIGNATION DIAGRAM AND EMERGENCY VEHICLE PREEMPTION SEQUENCE
 GREEN BAY ROAD AND RENAISSANCE GARAGE
 SCALE: NOT TO SCALE SHEET NO. -- OF -- SHEETS STA. -- TO STA. --

F.A.P. RTE.	SECTION	COUNTY	TOTAL SHEETS	SHEET NO.
	06-00924-00-TL	LAKE	76	29
CONTRACT NO. 63485			ILLINOIS FED. AID PROJECT	