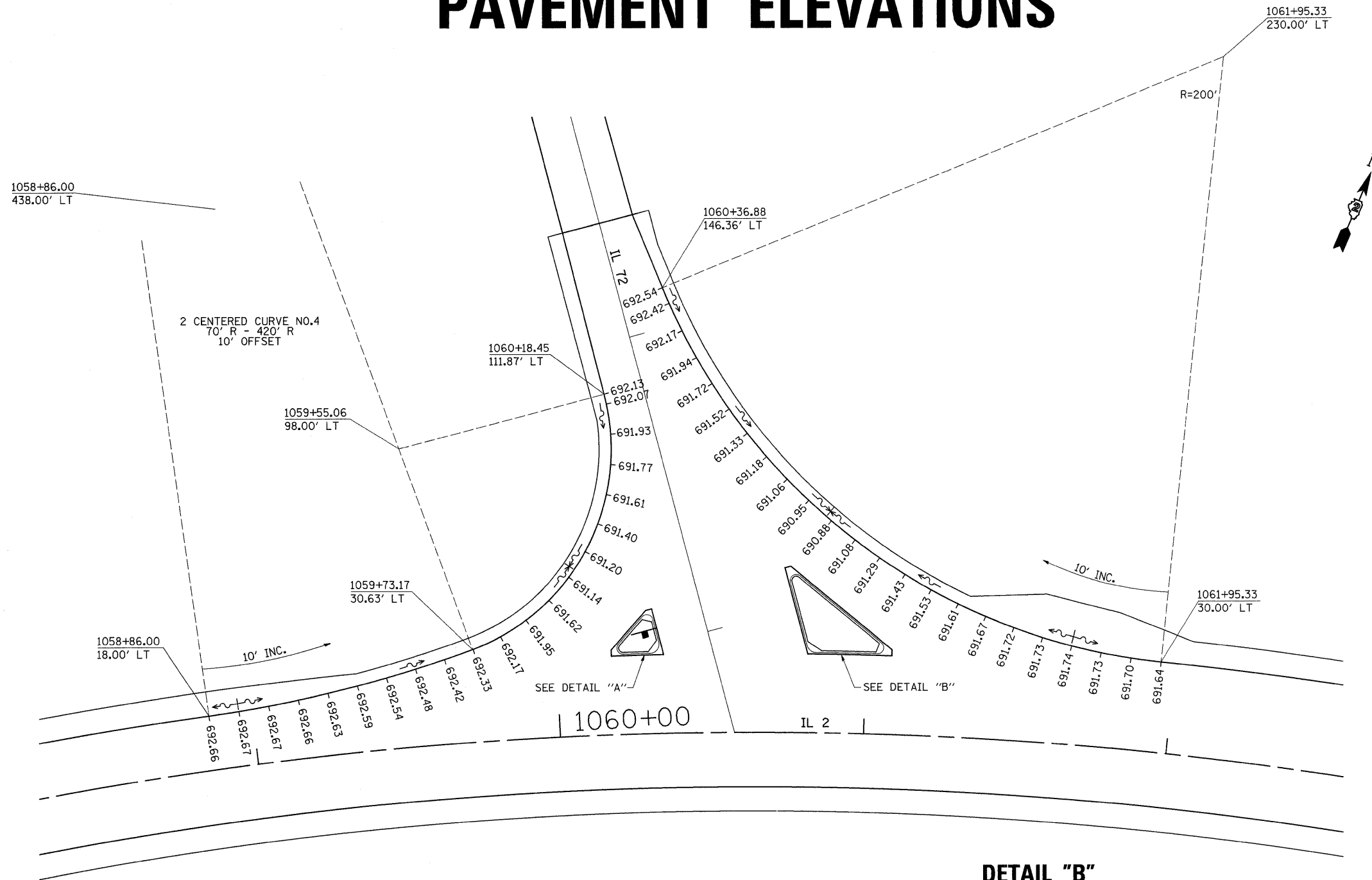
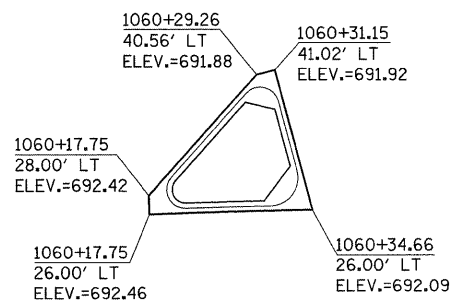


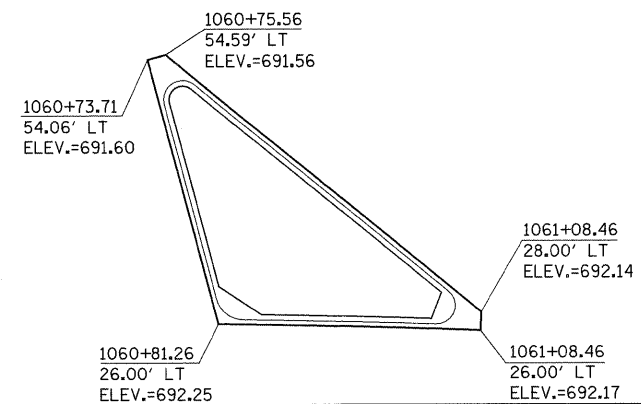
PAVEMENT ELEVATIONS



DETAIL "A"



DETAIL "B"



FILE NAME =	USER NAME = grantpm	DESIGNED -	REVISED -	STATE OF ILLINOIS DEPARTMENT OF TRANSPORTATION	PAVEMENT ELEVATIONS			F.A.P. RTE.	SECTION	COUNTY	TOTAL SHEETS	SHEET NO.
ct:\pwork\PMIDOT\GRANTPM\dms31213\d066808e1.dgn	PLOT SCALE = 20.0000' / IN.	DRAWN -	REVISED -					742	37R-4	OGLE	867	128
PLOT DATE = Tue Mar 30 11:32:23 2010	DATE -	CHECKED -	REVISED -		SCALE: SHEET NO. OF SHEETS STA. TO STA.			CONTRACT NO. 64E17				
		DATE -	REVISED -		FED. ROAD DIST. NO. ILLINOIS FED. AID PROJECT							