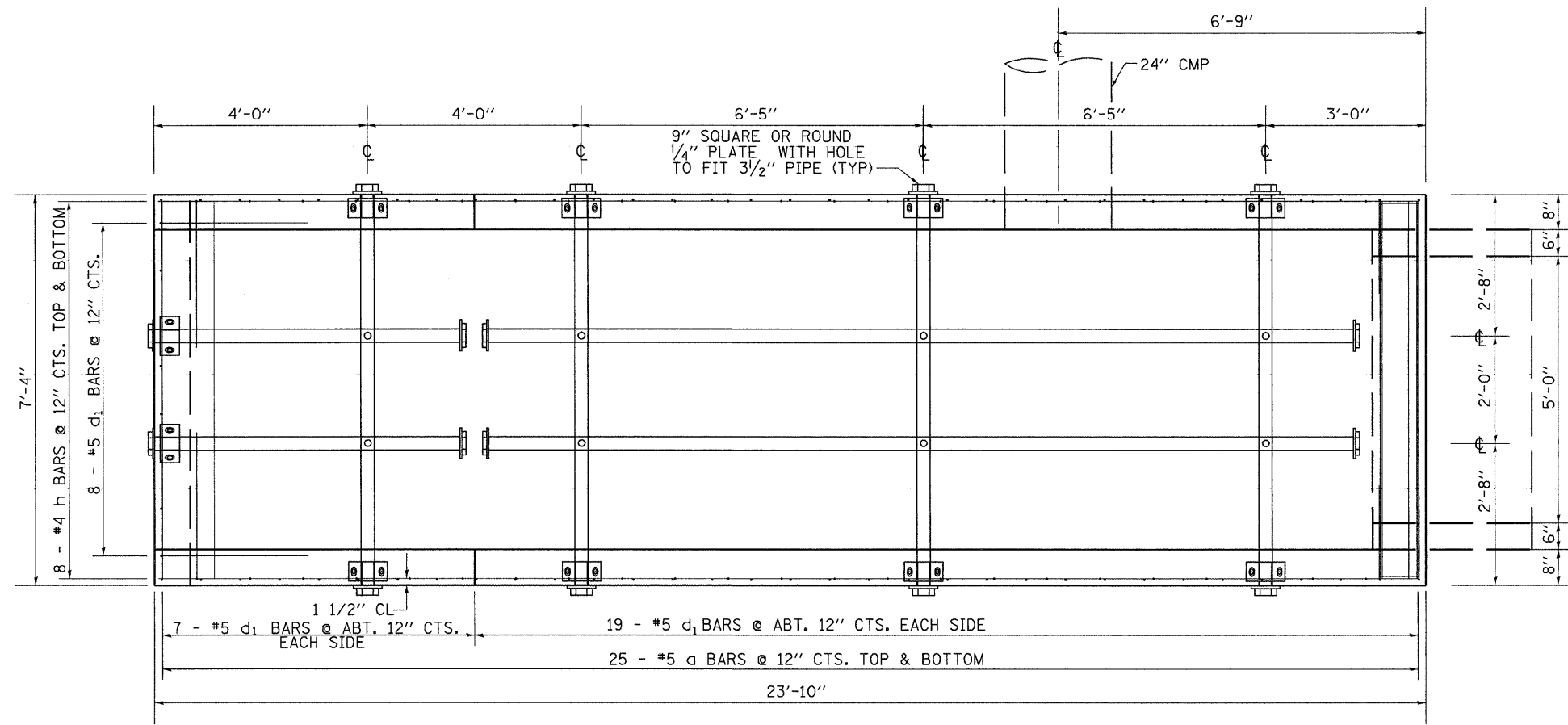
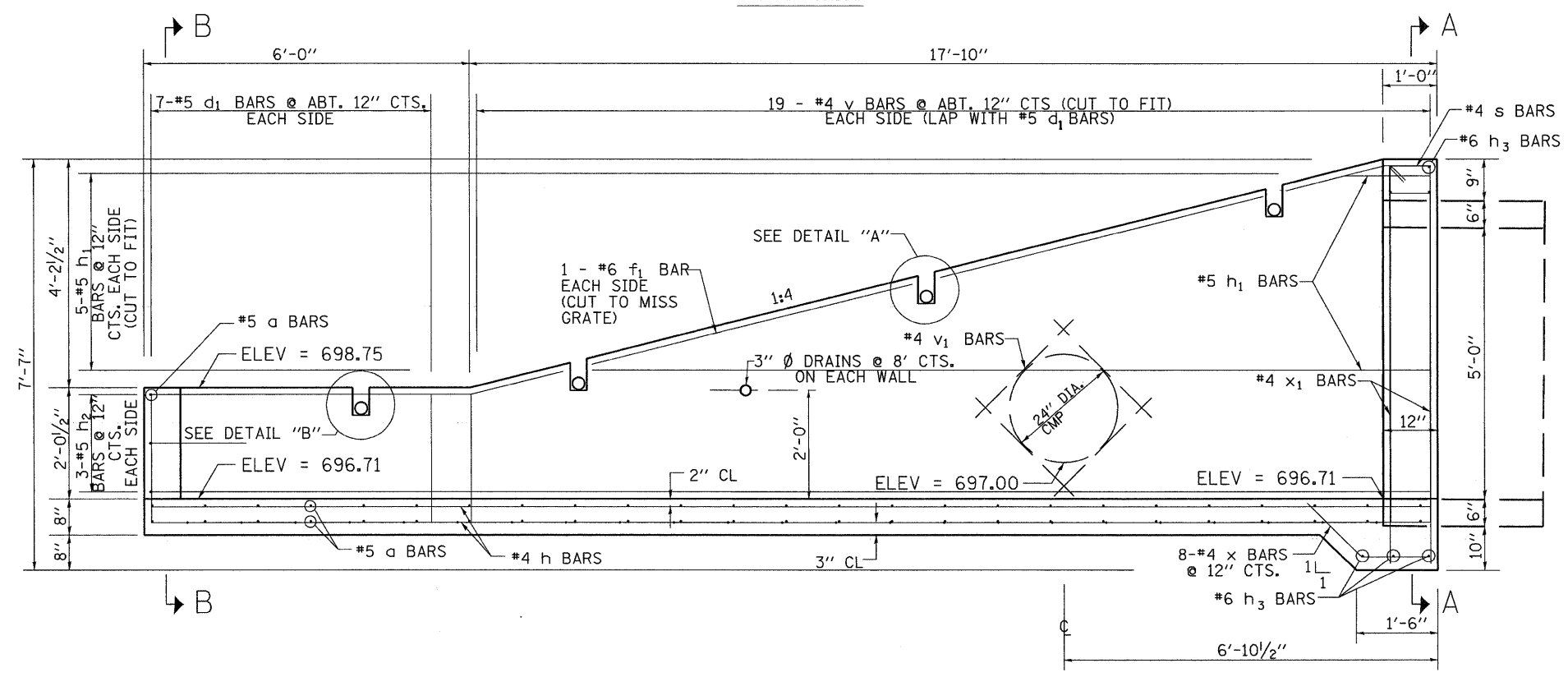


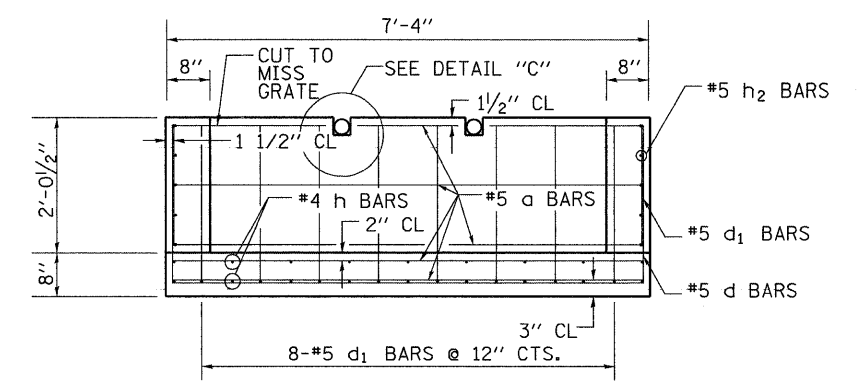
# DROP BOX NO. 7 STA. 964 + 00



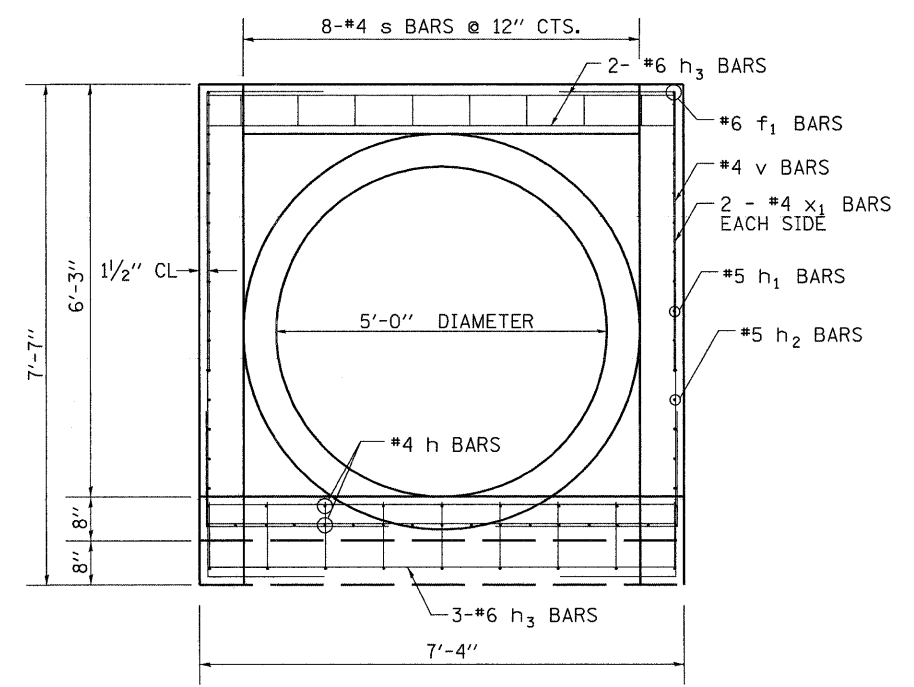
**PLAN VIEW**



**LONGITUDINAL SECTION**



**SECTION B-B**



**SECTION A-A**

	David F. Maxwell, S.E. Date: 3/3/10 My registration expires November 30, 2010.

FILE NAME =	USER NAME = chersn	DESIGNED -	REVISED -	<b>STATE OF ILLINOIS DEPARTMENT OF TRANSPORTATION</b>	<b>DROP BOX NO. 7</b>	F.A.P. RTE.	SECTION	COUNTY	TOTAL SHEETS	SHEET NO.	
C:\Documents and Settings\kbrahm\Desktop\d08608culvdetail.dgn	PLOT SCALE = 50.1500' / IN.	DRAWN -	REVISED -			742	37R-4	OGLE	867	164	
PLOT DATE = 6/17/2010	DATE -	CHECKED -	REVISED -			CONTRACT NO. 64E17					
		DATE -	REVISED -			SCALE:	SHEET NO. 1 OF 2 SHEETS	STA.	TO STA.	FED. ROAD DIST. NO.	ILLINOIS FED. AID PROJECT