

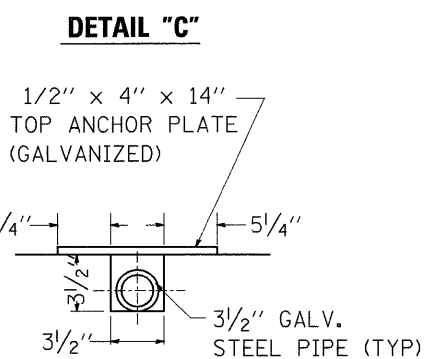
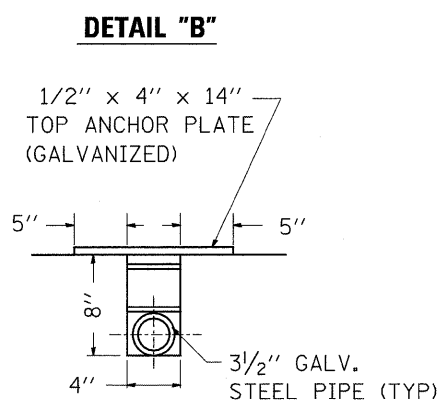
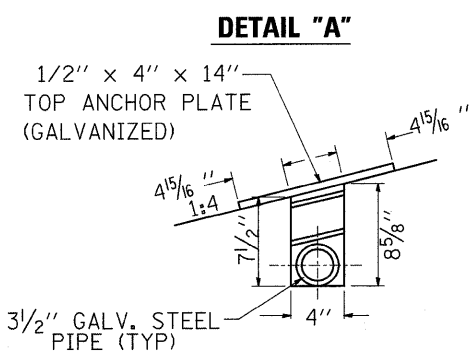
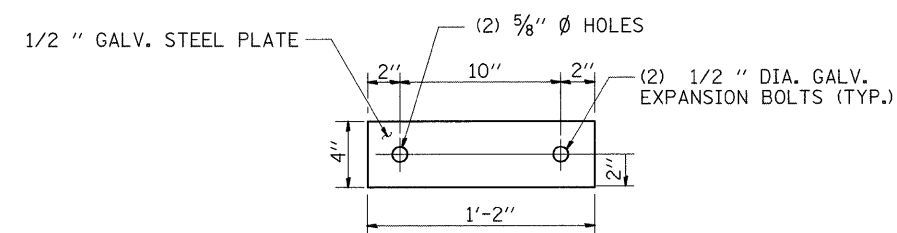
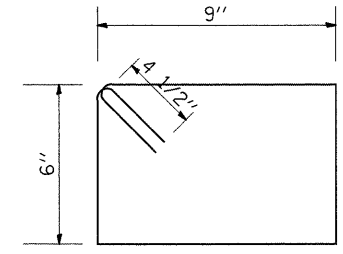
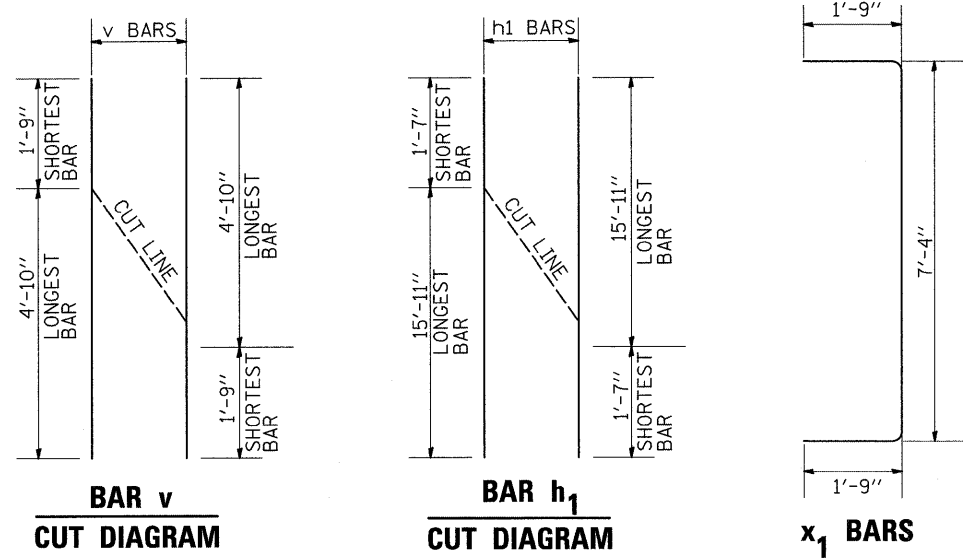
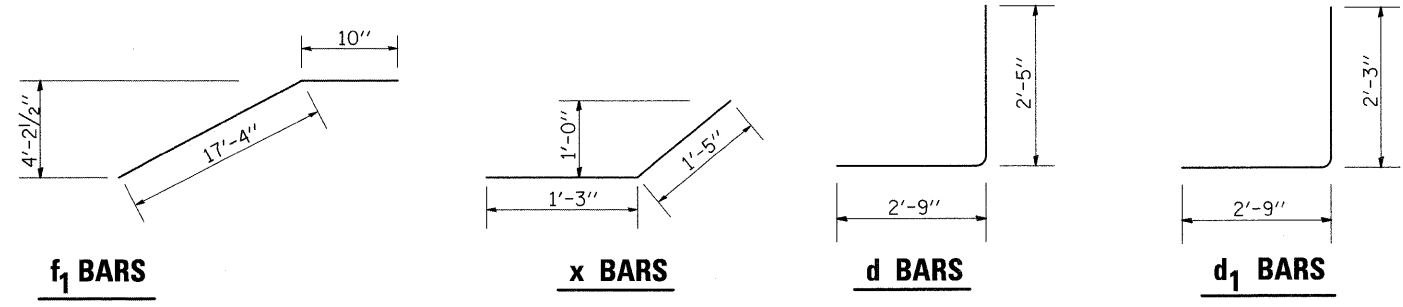
DROP BOX NO. 7 STA. 964 + 00

BILL OF MATERIALS

(For Information Only)

BAR	NUMBER	SIZE	LENGTH	SHAPE
a	53	#5	7'-1"	—
d	38	#5	5'-2"	└
d ₁	22	#5	5'-0"	└
h	16	#4	23'-7"	—
h ₁	5	#5	17'-6"	—
h ₂	6	#5	23'-7"	—
h ₃	7	#6	7'-1"	—
f ₁	2	#6	18'-2"	└
s	8	#4	3'-3"	└
v	19	#4	6'-7"	—
v ₁	4	#4	2'-4"	—
x	8	#4	2'-8"	└
x ₁	4	#4	10'-10"	└

DESCRIPTION	UNIT	QTY.
Concrete Box Culverts	CuYd	11.3
Reinforcement Bars	LBS	1,480
3/2" I.D. Galv Steel Pipe	2 @	17'-0"
	2 @	6'-0"
	4 @	7'-8"
1/2" Dia. Galv. Expansion Bolts	EACH	20
3/2" Galv Pipe Caps	EACH	16
1/4" Galv Steel Plate (9" Nominal)	EACH	10
1/2"x4"x14" Galv Steel Plate	EACH	10
5/8"x9" Galv Steel Bolts	EACH	8



GENERAL NOTES:

This work shall be paid for at the contract unit price per Each for Drop Box No. 7.

This work shall be done in accordance with the applicable portions of sections 503, 508, AND 540 of the Standard Specifications.

Contractor shall field verify Galvanized pipe lengths.

Exposed edges shall be beveled 3/4".

The contract unit price "EACH" for Drop Box No. 7 shall include the Bolts, Galvanized pipe, Nuts, Washers, and pipe caps. Steel Plates, Reinforcement Bars, and Concrete Box Culverts.

Contractor shall provide galvanizing for holes, threads, etc. for field-fabricated grate assembly.

The cost of earth excavation, where required, and necessary grading to fit the inlet as shown in the cross-sections or to the slope is included in the cost of Drop Box No. 7.

Reinforcement bars shall conform to the requirements of ASTM A 706 Gr. 60 (IL Modified). See Special Provisions.

Steel plates shall conform to AASHTO M-270 Grade 36 and shall be galvanized conforming to AASHTO M-111.

Bolts, Nuts, and Washers shall be in accordance with article 505 of the Standard Specifications and shall be galvanized.

See Plan and Profile Sheet for more information.

See Cross Section Sheet for more information.