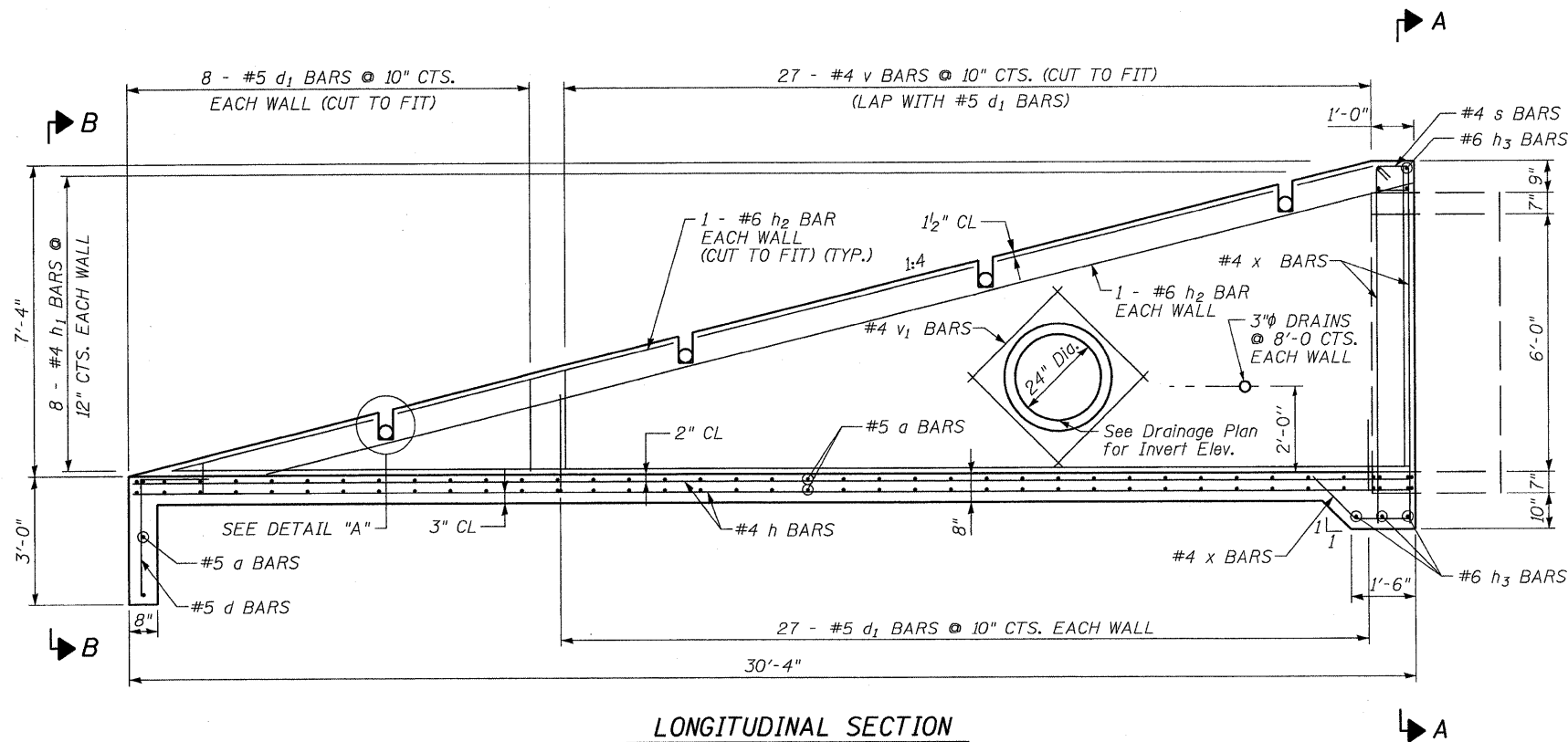
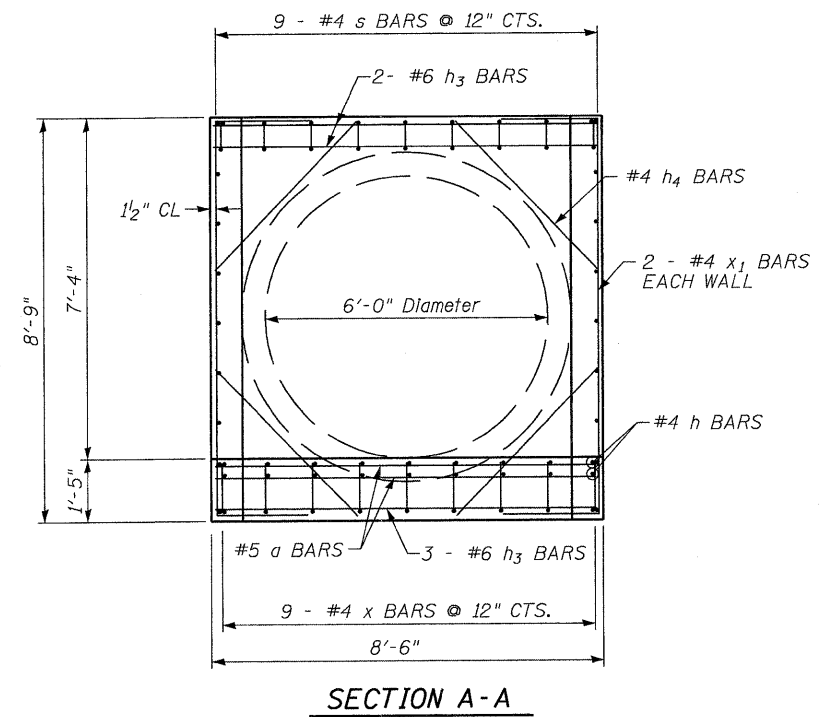
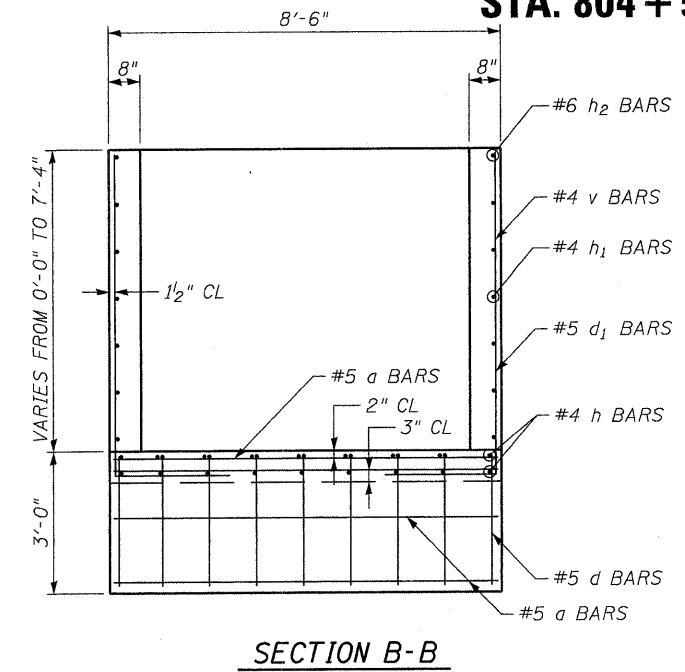
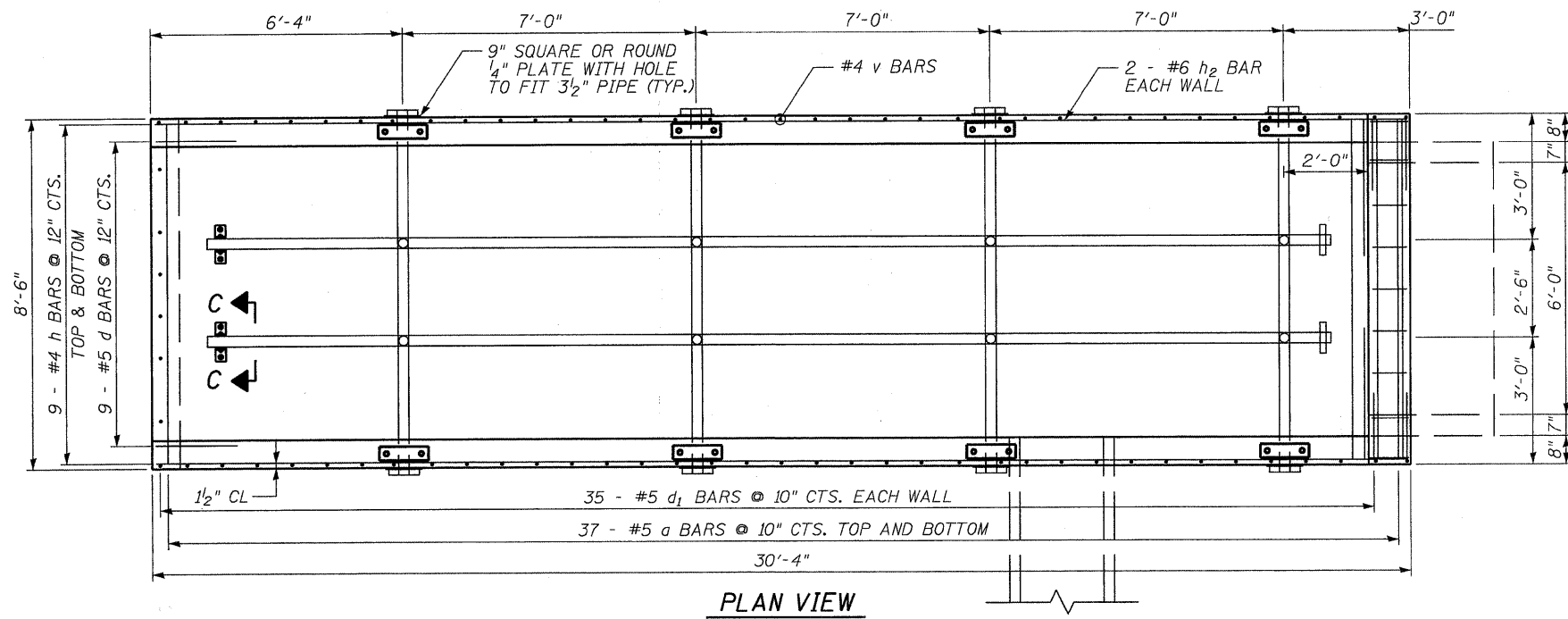


**BOX CULVERT END SECTION,
CULVERT NO. 2
STA. 804 + 56**



David F. Maxwell, S.E. Reg. No. 081-005455
 Date: 3/3/10
 My registration expires November 30, 2010.

FILE NAME =	USER NAME =	DESIGNED - GSS	REVISED -	STATE OF ILLINOIS DEPARTMENT OF TRANSPORTATION	CULVERT END SECTION NO. 2		F.A.P. RTE. 742	SECTION 37 R-4	COUNTY OGLE	TOTAL SHEETS 867	SHEET NO. 171		
PLOT SCALE =	CHECKED - CTH	REVISED -	SCALE:				SHEET NO. 1 OF 2 SHEETS	STA. TO STA.	FED. ROAD DIST. NO.	ILLINOIS FED. AID PROJECT	CONTRACT NO. 64E17		
PLOT DATE = 3/2/2010	DATE = 3/2/2010	REVISED -											