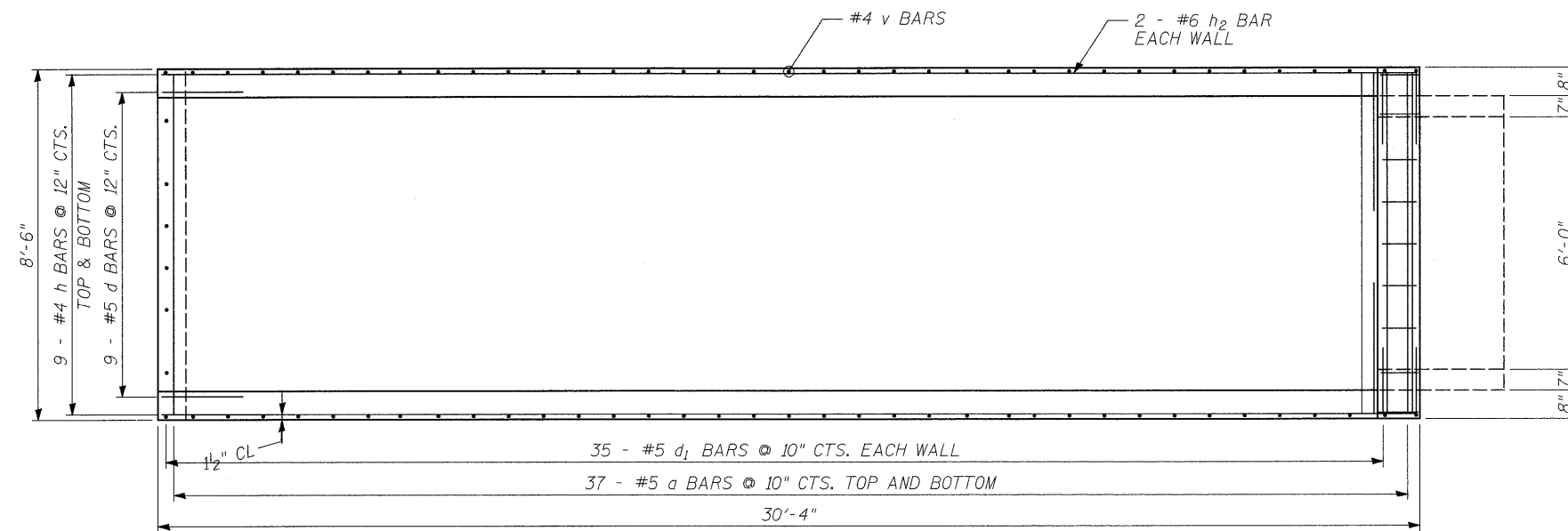
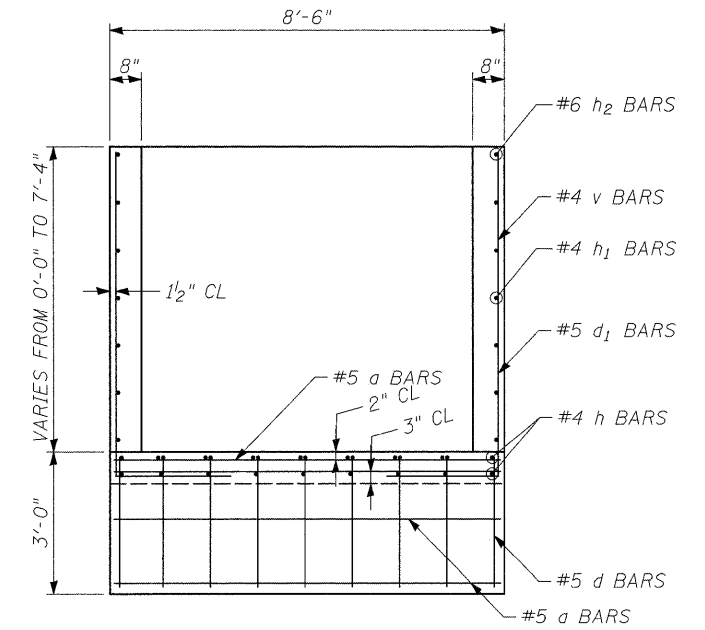


BOX CULVERT END SECTION CULVERT NO. 3

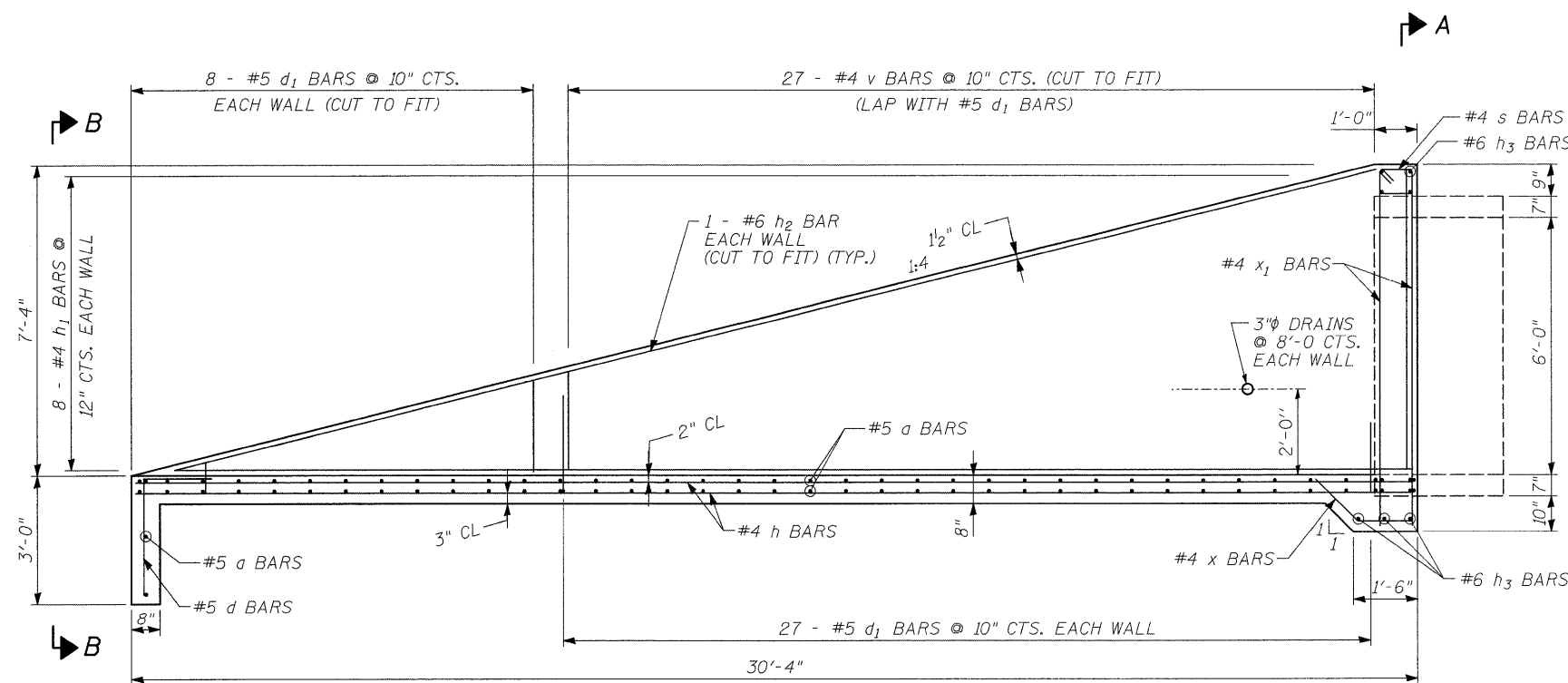
STA. 804 + 56



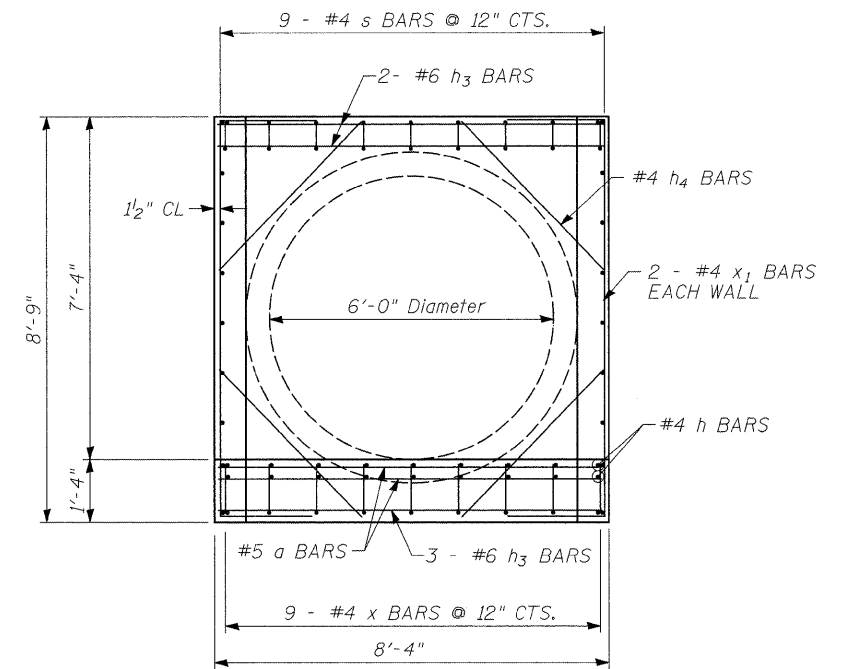
PLAN VIEW



SECTION B-B



LONGITUDINAL SECTION



SECTION A-A

FILE NAME =	USER NAME = cushmanbw	DESIGNED -	REVISED -	STATE OF ILLINOIS DEPARTMENT OF TRANSPORTATION	BOX CULVERT END SECTION CULVERT NO. 3	F.A. RTE.	SECTION	COUNTY	TOTAL SHEETS	SHEET NO.	
ca:\pwwork\pwwid01\CUSHMANBW\dms31213\dms31213.dgn	6608culvdetail.dgn	DRAWN -	REVISED -			742	37R-4	OGLE	867	173	
PLOT SCALE = 50.0000' / IN.		CHECKED -	REVISED -			CONTRACT NO. 64E17					
PLOT DATE = Wed Mar 31 08:57:47 2010		DATE -	REVISED -			ILLINOIS FED. AID PROJECT					
						SCALE:	SHEET NO.	OF SHEETS	STA.	TO STA.	