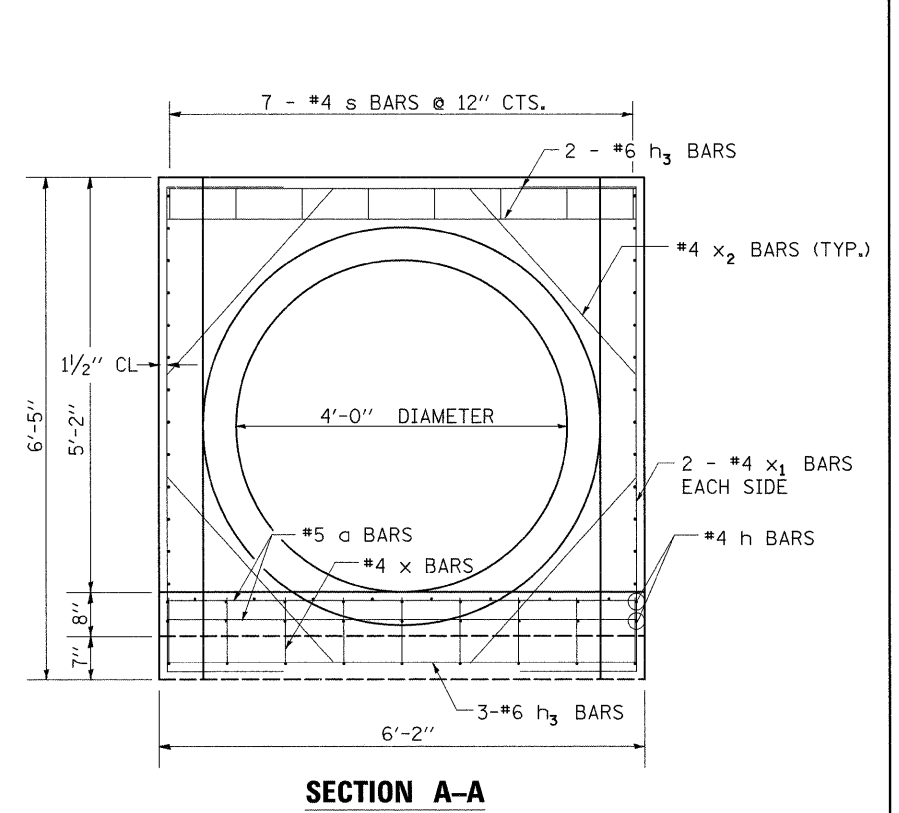
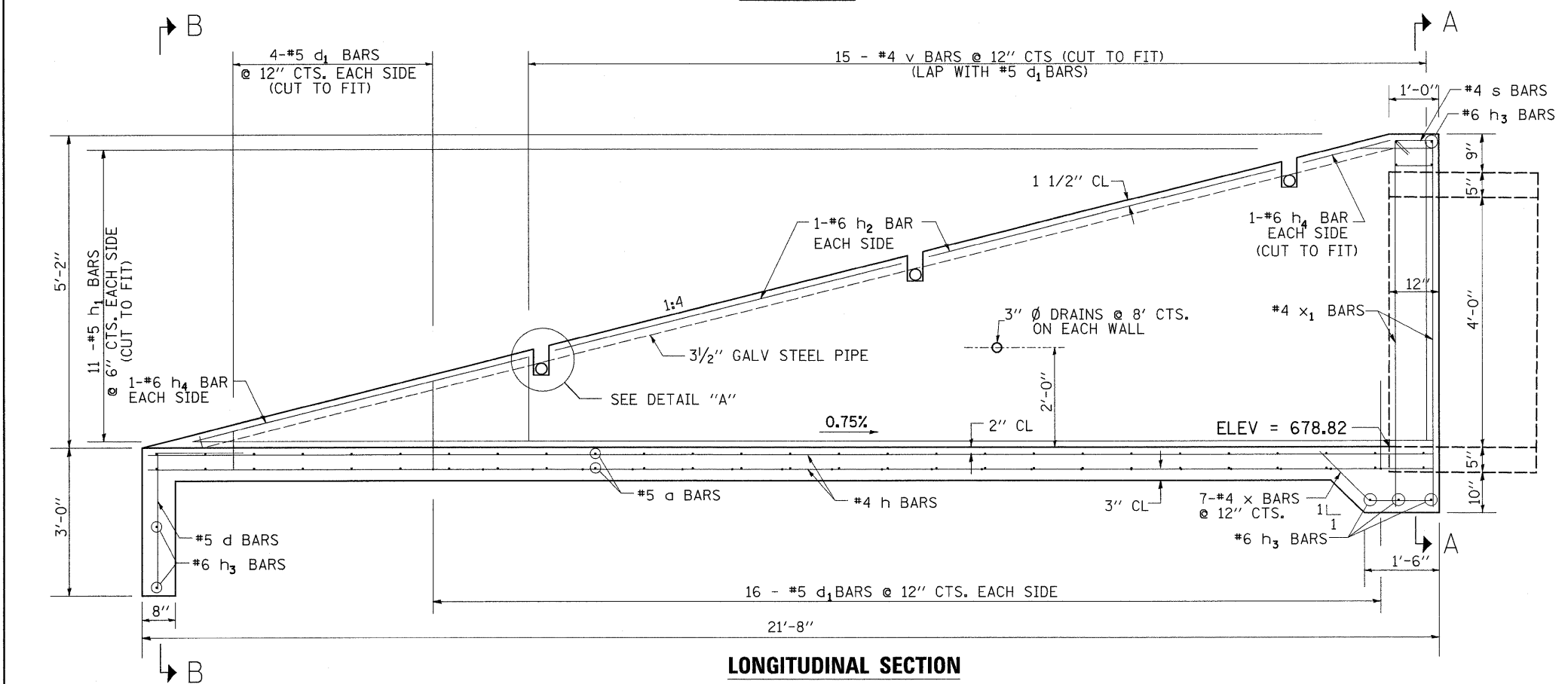
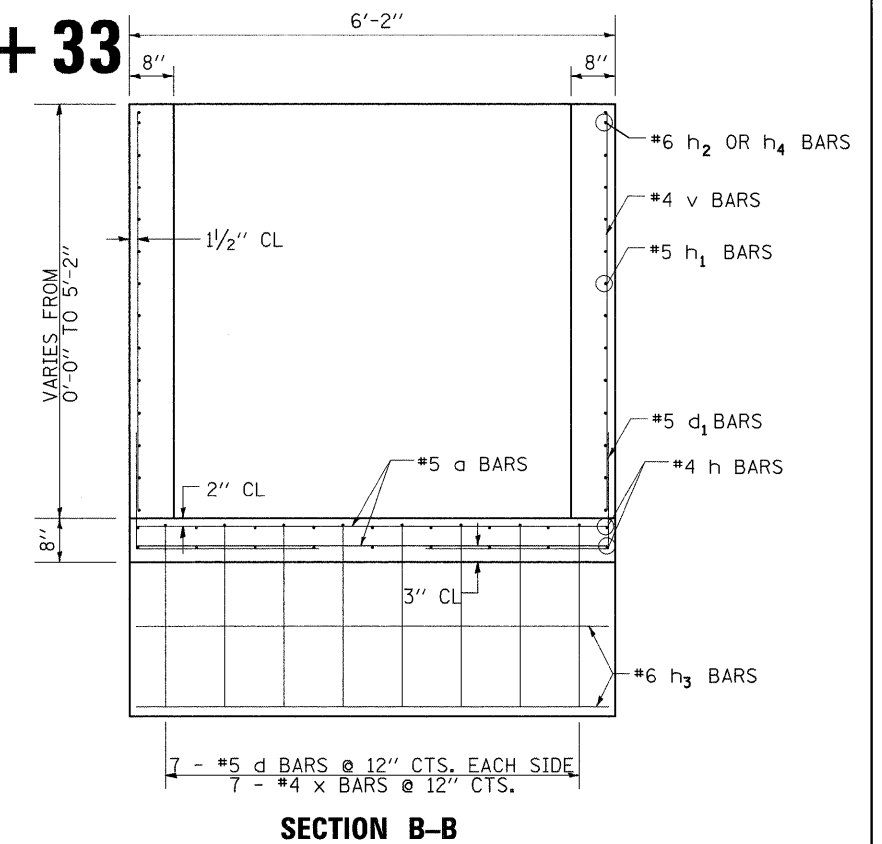
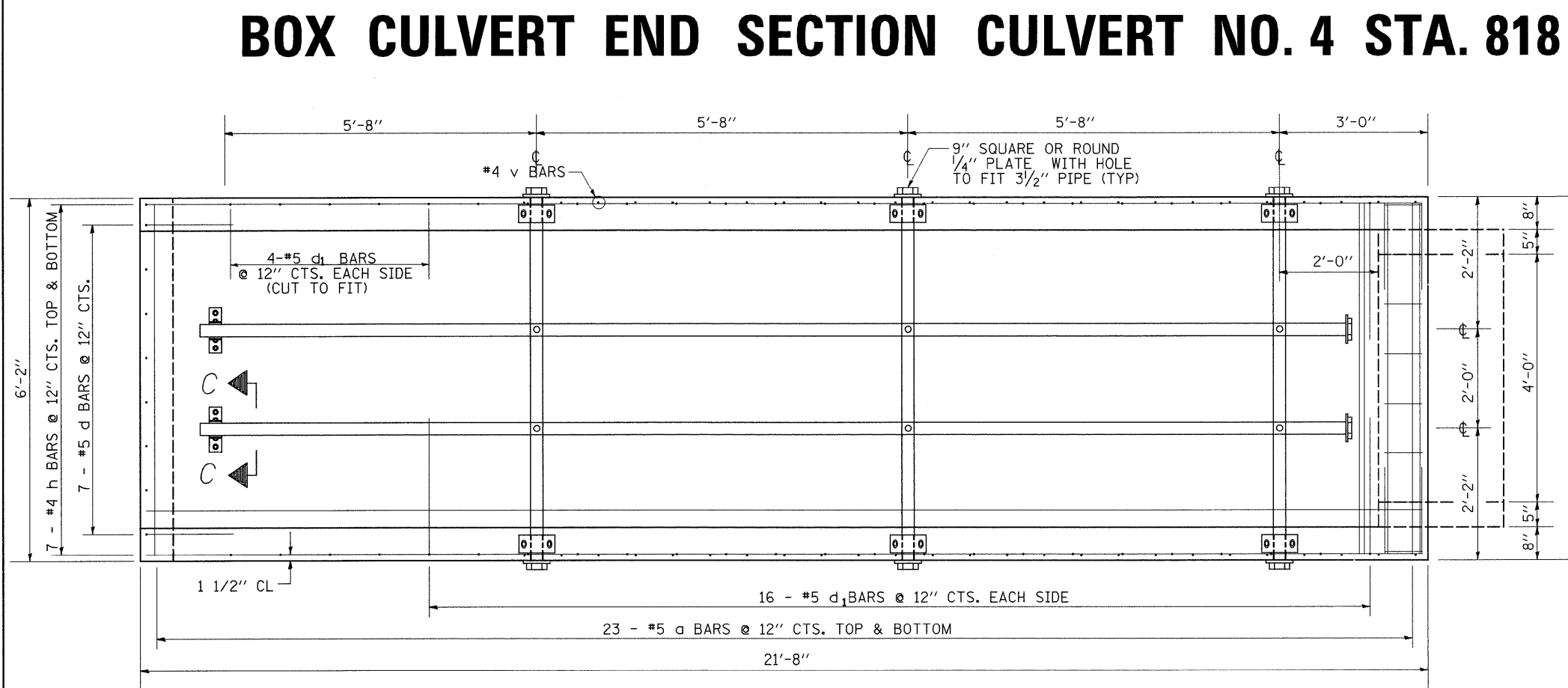


BOX CULVERT END SECTION CULVERT NO. 4 STA. 818 + 33



FILE NAME =	USER NAME = cushmanbw	DESIGNED -	REVISED -	STATE OF ILLINOIS DEPARTMENT OF TRANSPORTATION	BOX CULVERT END SECTION CULVERT NO. 4	F.A.P. RTE.	SECTION	COUNTY	TOTAL SHEETS	SHEET NO.
cr:\pwwork\NPIW001\CUSHMANBW\dms31213\6608culvdetail.dgn	PLOT SCALE = 50.0000' / IN.	DRAWN -	REVISED -			742	37R-4	OGLE	867	175
PLOT DATE = Wed Mar 31 08:57:41 2010	DATE -	CHECKED -	REVISED -			CONTRACT NO. 64E17				
		DATE -	REVISED -			SCALE:	SHEET NO. 1 OF 2 SHEETS	STA.	TO STA.	FED. ROAD DIST. NO.