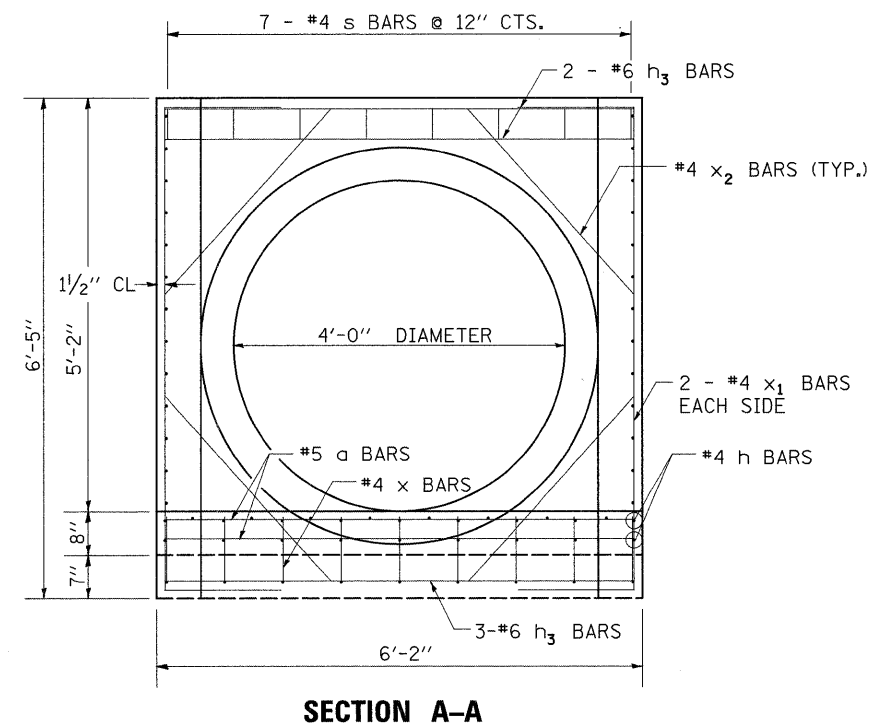
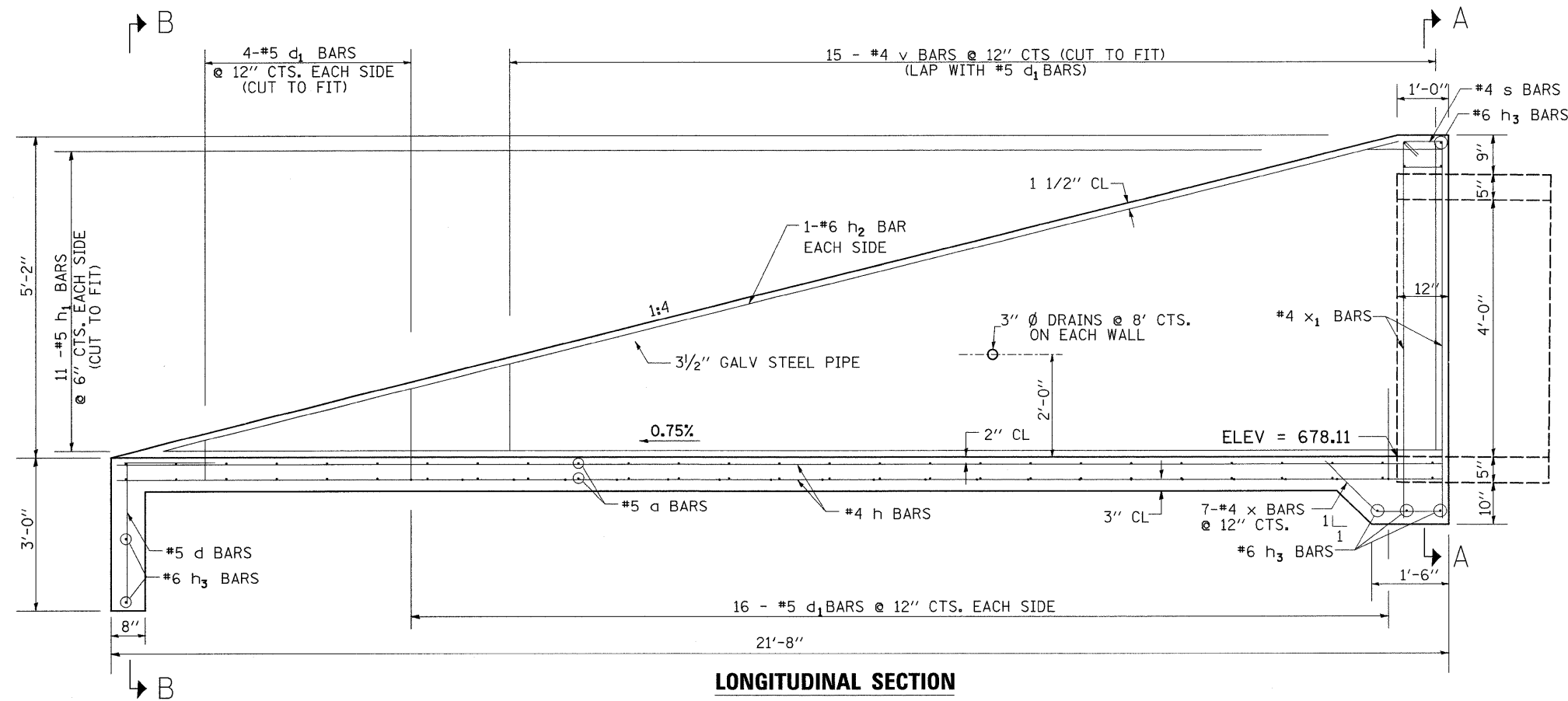
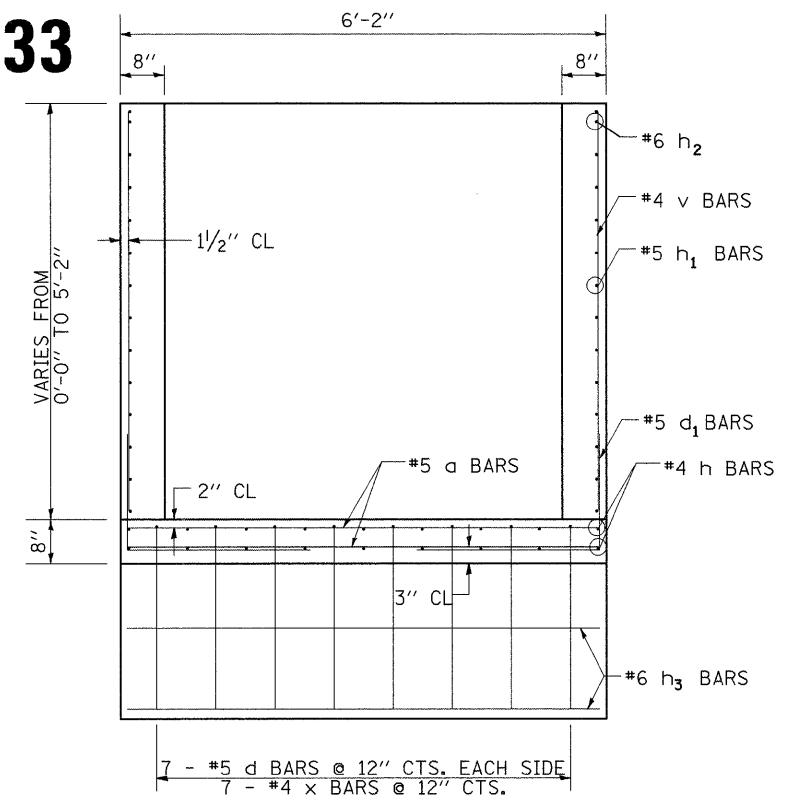
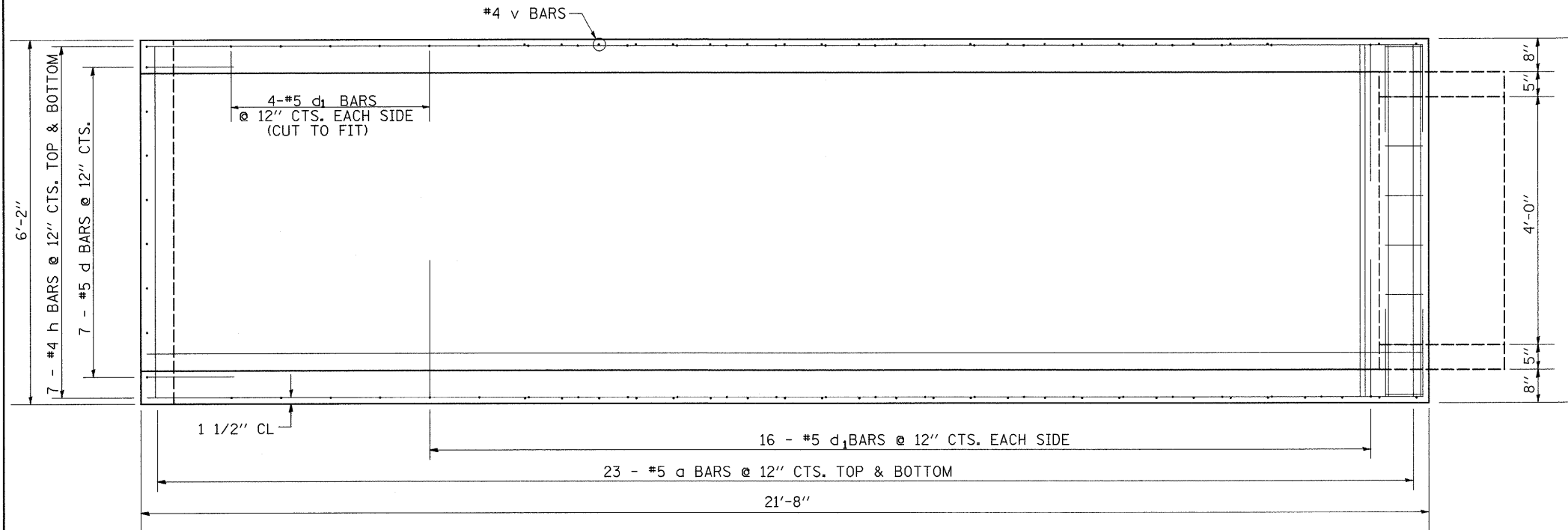


BOX CULVERT END SECTION CULVERT NO. 5 STA. 818 + 33



FILE NAME =	USER NAME = cushmanbw	DESIGNED -	REVISD -	STATE OF ILLINOIS DEPARTMENT OF TRANSPORTATION	BOX CULVERT END SECTION CULVERT NO. 5	F.A.P. RTE. =	SECTION =	COUNTY =	TOTAL SHEETS =	SHEET NO. =
ca:\pwwork\p\ID01\CUSHMANBW\dms31213\6680culvdetail.dgn	DRAWN -	REVISD -	742			37R-4	OGLE	867	177	
PLOT SCALE = 50.0000' / IN.	CHECKED -	REVISD -	CONTRACT NO. 64E17							
PLOT DATE = Wed Mar 31 08:57:12 2010	DATE -	REVISD -	FED. ROAD DIST. NO. ILLINOIS FED. AID PROJECT							
			SCALE:			SHEET NO. 1 OF 2 SHEETS	STA. TO STA.			