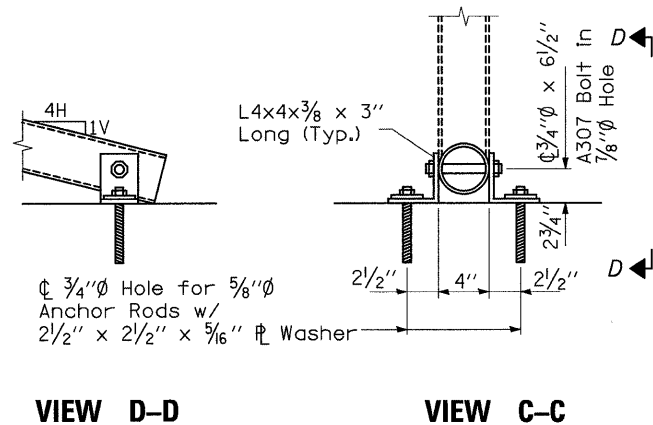
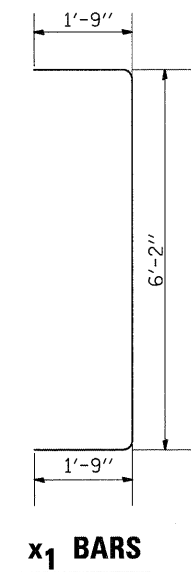
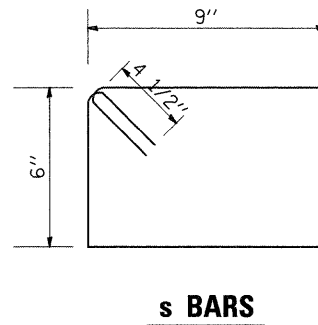
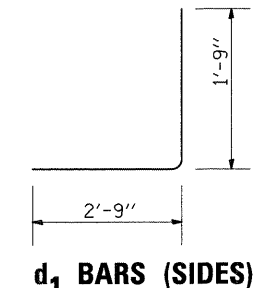
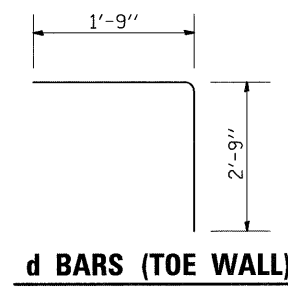
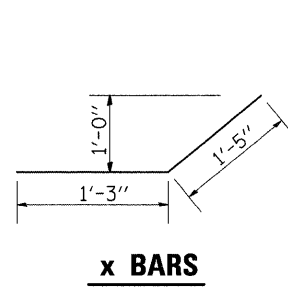
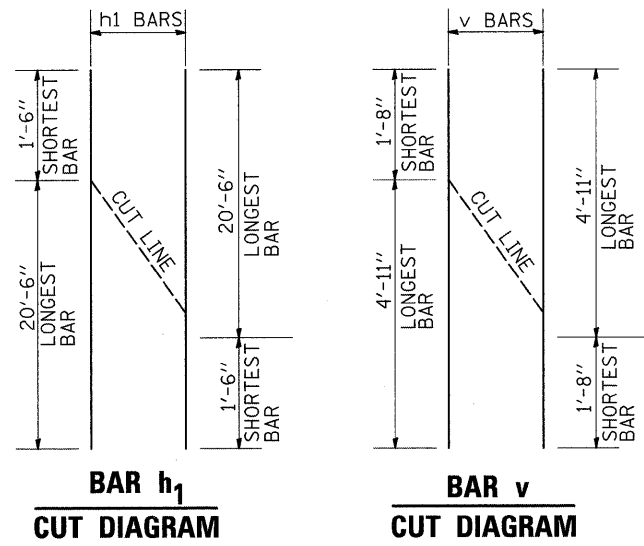


BOX CULVERT END SECTION CULVERT NO. 5 STA. 818 + 33



BILL OF MATERIALS
(For Information Only)

BAR	NUMBER	SIZE	LENGTH	SHAPE
a	46	#5	5'-11"	—
d	7	#5	4'-6"	└
d ₁	39	#5	4'-6"	└
h	14	#4	21'-3"	—
h ₁	11	#5	22'-0"	—
h ₂	2	#6	20'-3"	—
h ₃	9	#6	5'-11"	—
s	7	#4	3'-3"	└
v	15	#4	6'-7"	—
x	7	#4	2'-8"	└
x ₁	4	#4	9'-8"	└
x ₂	4	#4	3'-4"	—
DESCRIPTION			UNIT	QTY.
Concrete Box Culverts			CuYd	7.5
Reinforcement Bars			LBS	1,220

GENERAL NOTES:

This work shall be paid for at the contract unit price per Each for Box Culvert End Section No. 5.

This work shall be done in according to the applicable portions of sections 503, 508, AND 540 of the Standard Specifications.

Exposed edges shall be beveled 3/4".

The contract unit price "EACH" for Box Culvert End Section No. 5 shall include the Reinforcement Bars and Concrete Box Culverts.

The Contractor has the option of using Precast construction for the end section.

The cost of earth excavation, where required, and necessary grading to fit the inlet as shown in the cross-sections or to the slope is included in the cost of Box Culvert End Section No. 5

Reinforcement bars shall conform to the requirements of ASTM A 706 Gr. 60 (IL Modified). See Special Provisions.

See Plan and Profile Sheet for more information.

See Cross Section Sheet for more information.