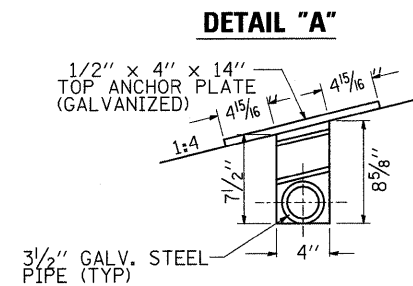
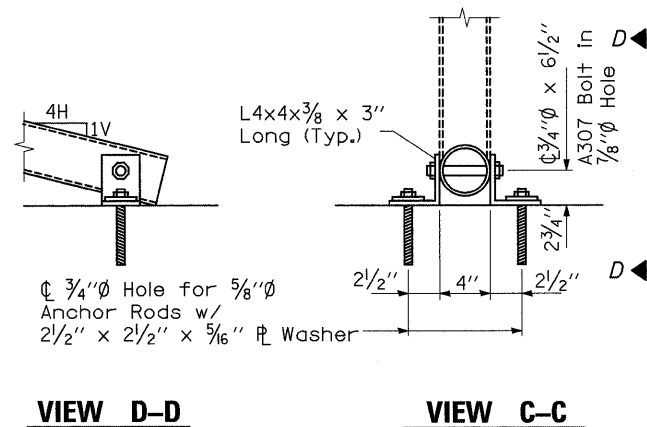
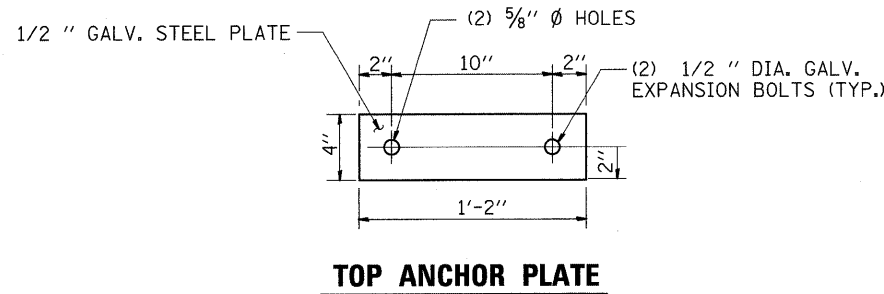
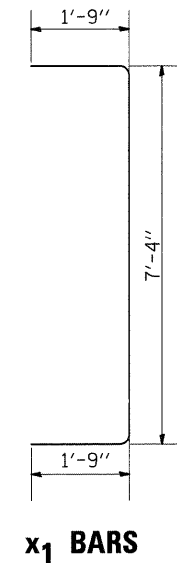
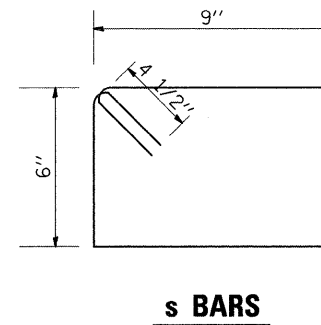
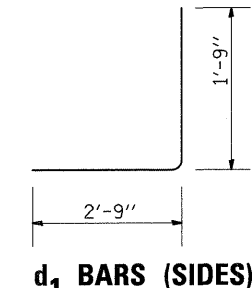
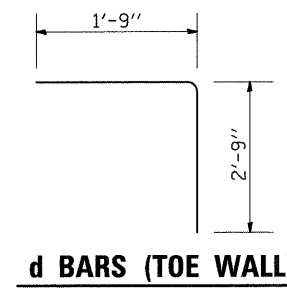
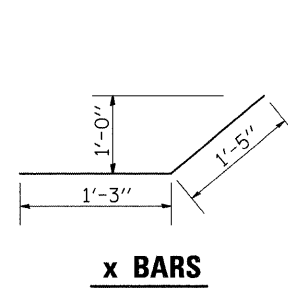
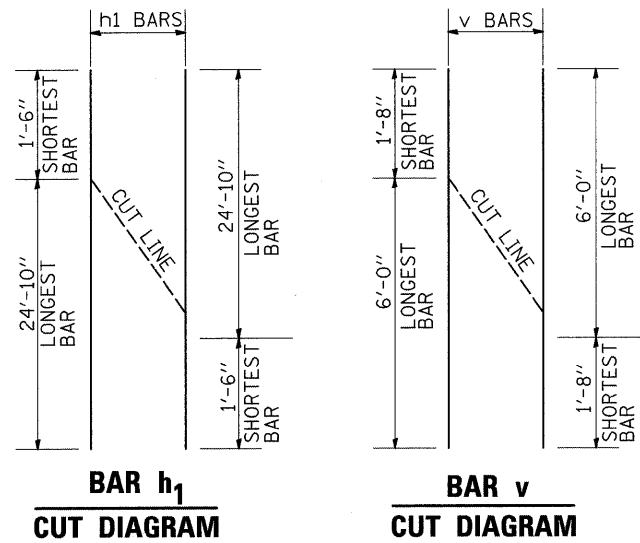


BOX CULVERT END SECTION CULVERT NO. 6 STA. 964 + 00



BILL OF MATERIALS (For Information Only)				
BAR	NUMBER	SIZE	LENGTH	SHAPE
a	54	#5	7'-1"	—
d	8	#5	4'-6"	└
d ₁	48	#5	4'-6"	└
h	16	#4	25'-9"	—
h ₁	13	#5	26'-4"	—
h ₂	4	#6	7'-0"	—
h ₃	9	#6	7'-1"	—
h ₄	4	#6	4'-6"	—
s	8	#4	3'-3"	└
v	25	#4	7'-8"	—
x	8	#4	2'-8"	└
x ₁	4	#4	10'-10"	└
*x ₂	12	#4	11'-6"	└

DESCRIPTION	UNIT	QTY.
Concrete Box Culverts	CuYd	10.0
Reinforcement Bars	LBS	1,650
3/2" I.D. Galv Steel Pipe	3 @	7'-8"
	2 @	22'-8"
1/2" Dia. Galv. Expansion Bolts	EACH	12
3/2" Galv Pipe Caps	EACH	8
1/4" Galv Steel Plate (9" Nominal)	EACH	6
1/2"x4"x14" Galv Steel Plate	EACH	6
5/8"x9" Galv Steel Bolts	EACH	6
L 4 x 4 x 3/8 x 3" Long	EACH	2
5/8" φ Anchor Rods	EACH	4
2 1/2" x 2 1/2" x 5/16" PL Washer	EACH	4
3/4" φ X 6 1/2" A307 Bolt	EACH	2

* Only required with precast end section. Weight not included in Reinforcement Bars quantity.

GENERAL NOTES:

- This work shall be paid for at the contract unit price per Each for Box Culvert End Section No. 6.
- This work shall be done in accordance with the applicable portions of sections 503, 508, AND 540 of the Standard Specifications.
- Contractor shall field verify Galvanized pipe lengths.
- Exposed edges shall be beveled 3/4".
- The contract unit price "EACH" for Box Culvert End Section No. 6 shall include the Bolts, Galvanized pipe, Nuts, Washers, Anchor Rods, and pipe caps, Steel Plates, Reinforcement Bars, and Concrete Box Culverts.
- The Contractor has the option of using Precast construction for the end section.
- Contractor shall provide galvanizing for holes, threads, etc. for field-fabricated grate assembly.
- The cost of earth excavation, where required, and necessary grading to fit the inlet as shown in the cross-sections or to the slope is included in the cost of Box Culvert End Section No.6
- Reinforcement bars shall conform to the requirements of ASTM A 706 Gr. 60 (IL Modified). See Special Provisions.
- Steel plates shall conform to AASHTO M-270 Grade 36 and shall be galvanized conforming to AASHTO M-111.
- Bolts, Nuts, Washers, and Anchor Rods shall be in accordance with article 505 of the Standard Specifications and shall be galvanized.
- See Plan and Profile Sheet for more information.
- See Cross Section Sheet for more information.

FILE NAME =	USER NAME = cushmanbw	DESIGNED -	REVISED -	STATE OF ILLINOIS DEPARTMENT OF TRANSPORTATION	BOX CULVERT END SECTION CULVERT NO. 6	F.A.P. RTE.	SECTION	COUNTY	TOTAL SHEETS	SHEET NO.
ca:\pw\work\PIWIDOT\CUSHMANBW\dms31213\dms31213.dwg	66000\cui\vd\detail.dgn	DRAWN -	REVISED -			742	37R-4	OGLE	867	180
		CHECKED -	REVISED -			CONTRACT NO. 64E17				
		DATE -	REVISED -			SCALE:	SHEET NO. 2 OF 2 SHEETS	STA.	TO STA.	FED. ROAD DIST. NO.