

BOX CULVERT END SECTION CULVERT NO. 7 STA. 974 + 38

BILL OF MATERIALS (For Information Only)

BAR	NUMBER	SIZE	LENGTH	SHAPE
a	38	#4	8'-5"	—
d	34	#4	4'-6"	└
d ₁	5	#5	4'-6"	└
h	18	#4	18'-5"	—
h ₁	9	#4	19'-0"	—
h ₂	2	#4	17'-2"	—
s	9	#4	3'-3"	└
v	13	#4	5'-6"	—
x	9	#4	2'-8"	└
x ₁	3	#4	8'-5"	—
x ₂	4	#4	9'-0"	└
x ₃	4	#6	8'-5"	—
*x ₄	12	#4	12'-0"	└
DESCRIPTION			UNIT	QTY.
Concrete Box Culverts			CuYd	7.25
Reinforcement Bars			LBS	881

* Only required with precast end section. Weight not included in Reinforcement Bars quantity.

GENERAL NOTES:

This work shall be paid for at the contract unit price per Each for Box Culvert End Section No. 7.

This work shall be done in according to the applicable portion of sections 503, 508, AND 540 of the Standard Specifications.

Exposed edges shall be beveled $\frac{3}{4}$ ".

The contract unit price "EACH" for Box Culvert End Section No. 7 shall include Reinforcement Bars, and Class SI Concrete.

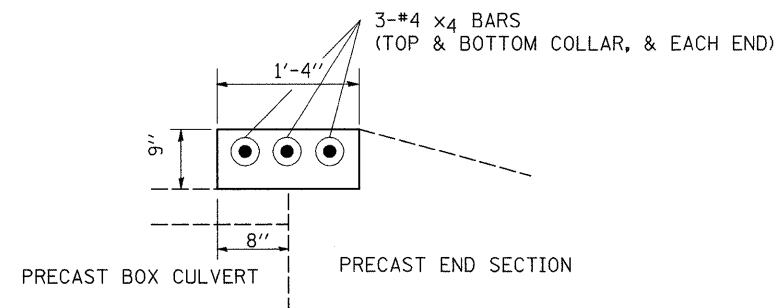
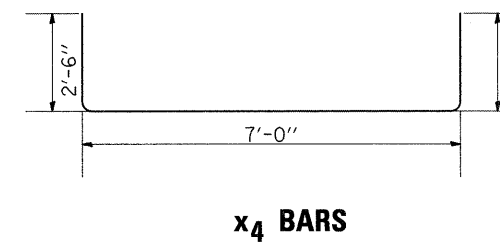
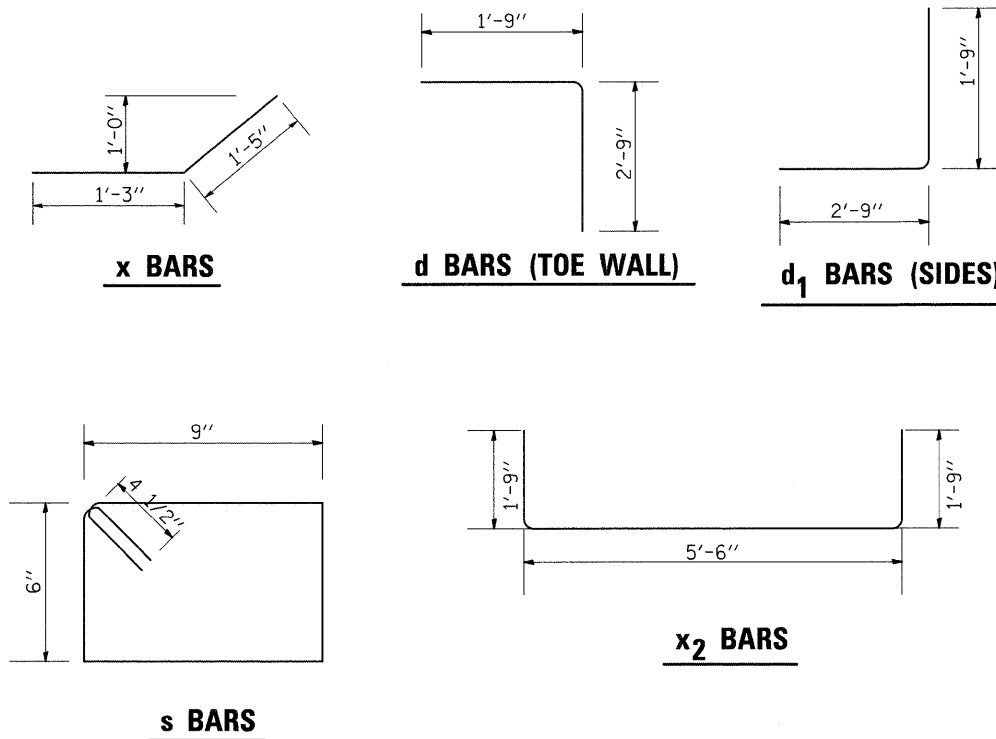
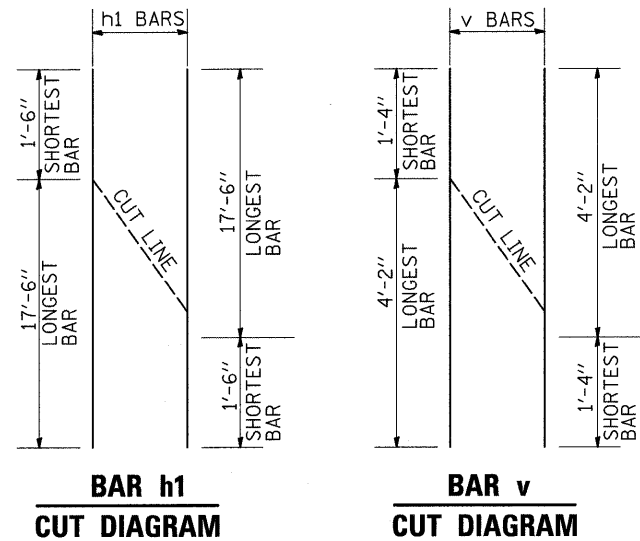
The Contractor has the option of using Precast construction for the end section, if so the concrete collar will also be included in the cost of Box Culvert End Section No. 7.

The cost of earth excavation, where required, and necessary grading to fit the inlet as shown in the cross-sections or to the slope is included in the cost of Box Culvert End Section No. 7.

Reinforcement bars shall conform to the requirements of ASTM A 706 Gr. 60 (IL Modified). See Special Provisions.

See Plan and Profile Sheet for more information.

See Cross Section Sheet for more information.



COLLAR DETAIL "PRECAST OPTION ONLY"