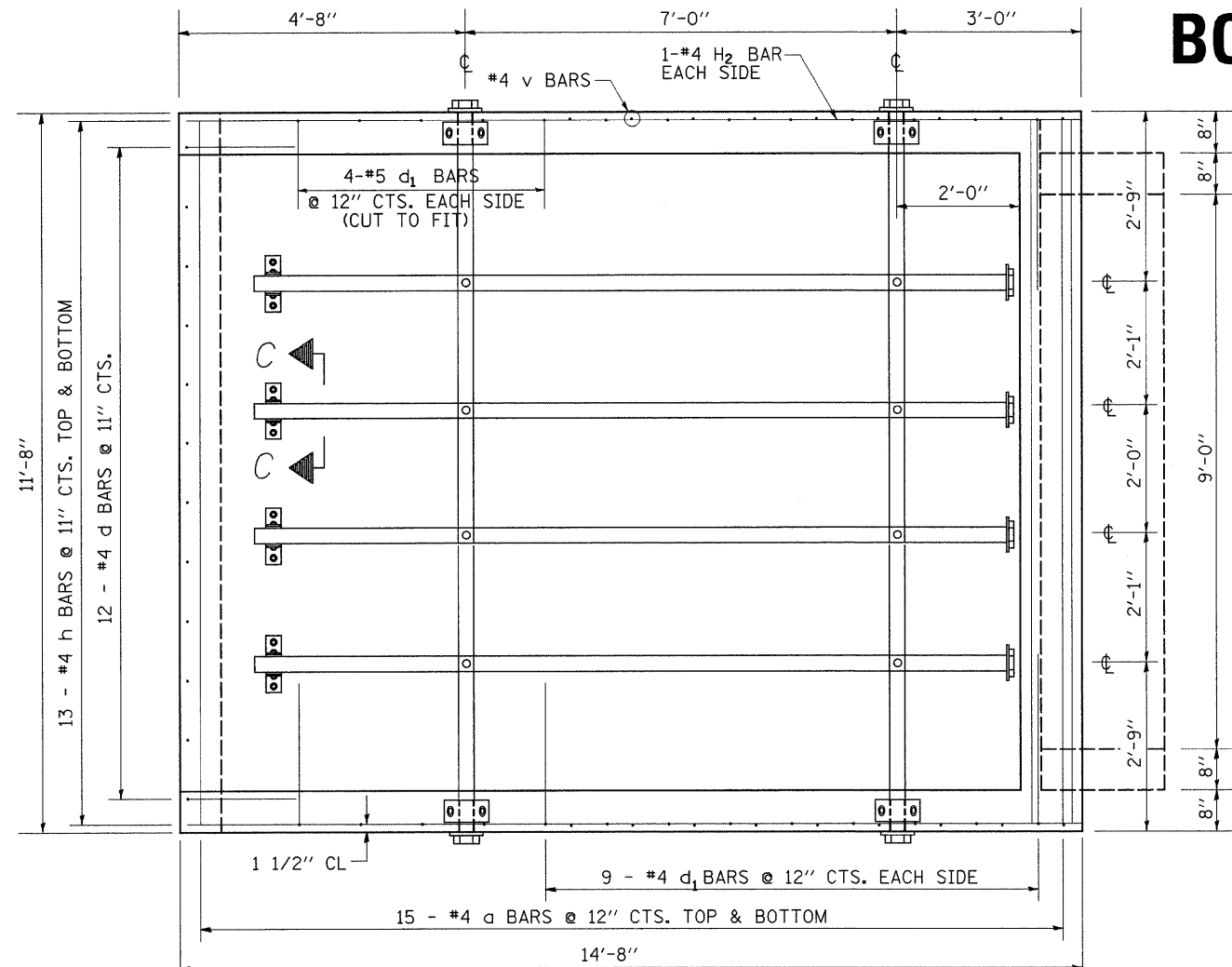
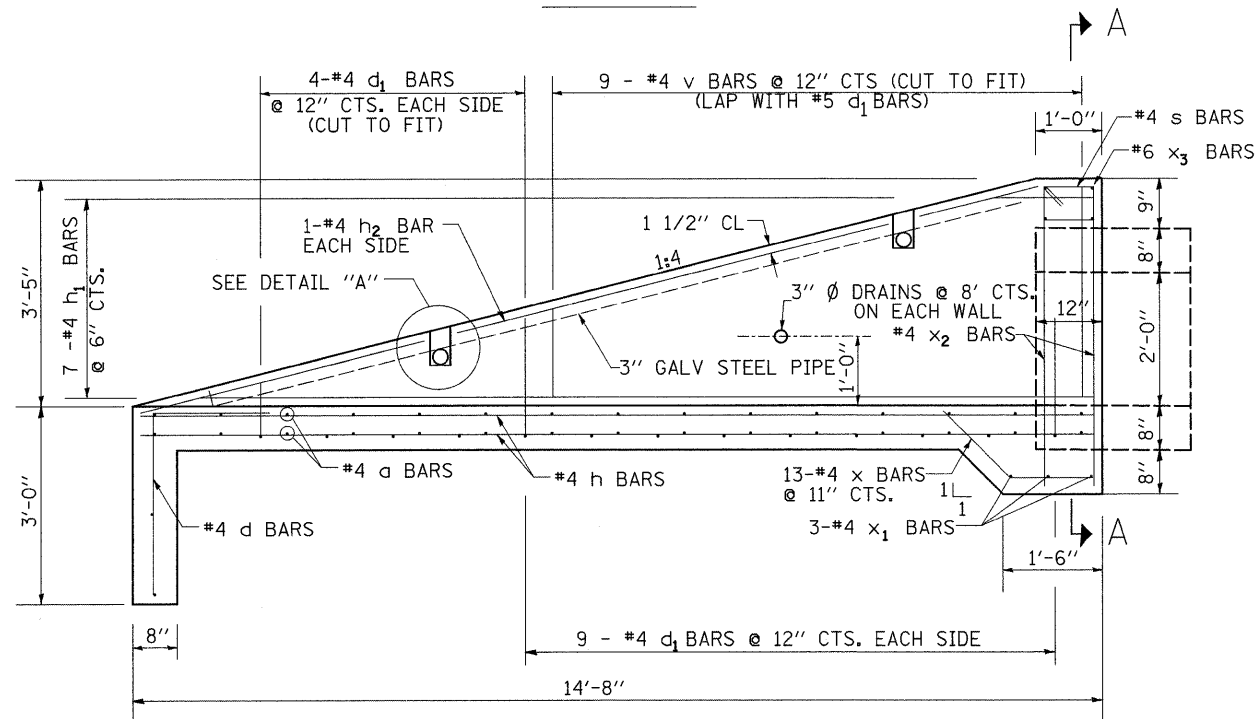


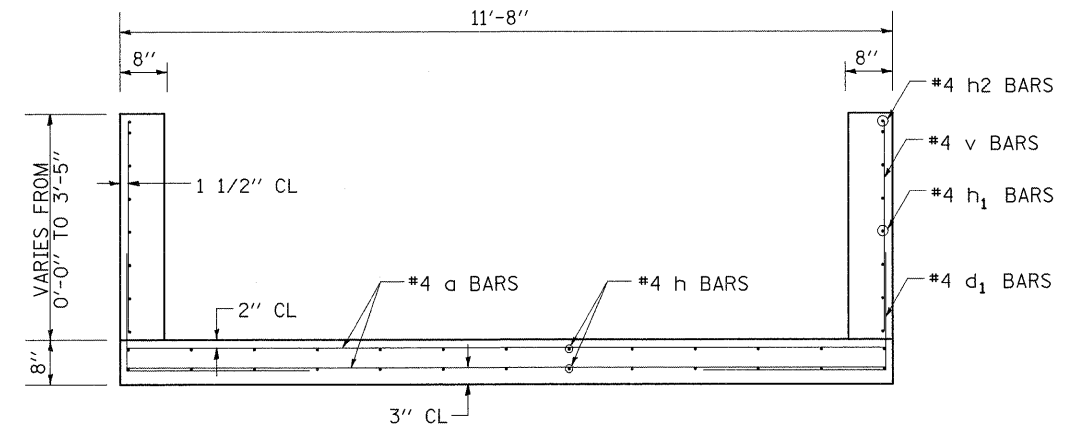
# BOX CULVERT END SECTION CULVERT NO. 10 STA. 1042 + 23



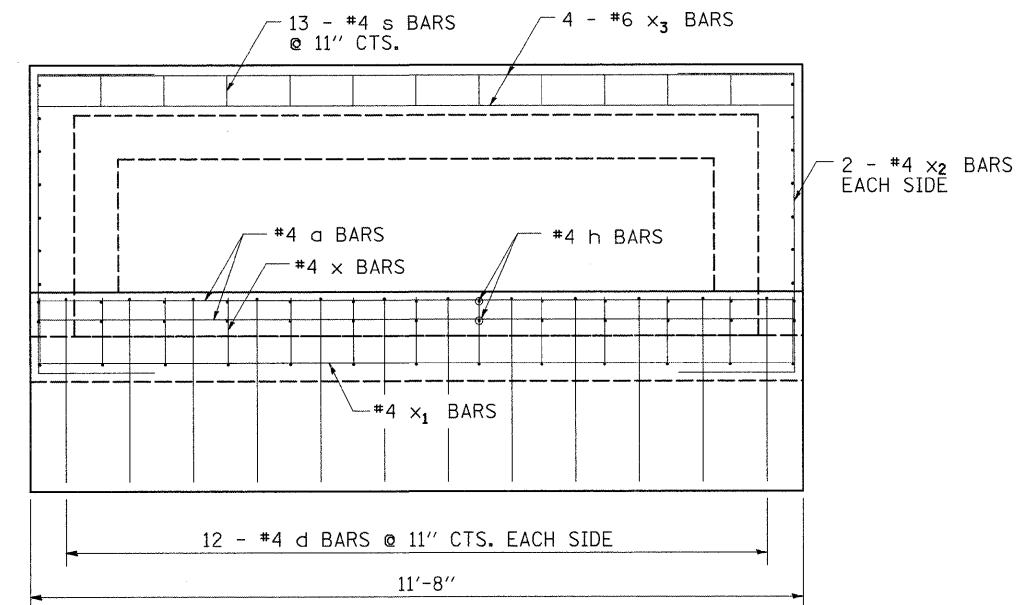
**PLAN VIEW**



**LONGITUDINAL SECTION**



**SECTION THRU END SECTION**



**SECTION A-A**

FILE NAME =	USER NAME = cushmanbw	DESIGNED -	REVISED -	<b>STATE OF ILLINOIS DEPARTMENT OF TRANSPORTATION</b>	<b>BOX CULVERT END SECTION CULVERT NO. 10</b>	F.A.P. RTE.	SECTION	COUNTY	TOTAL SHEETS	SHEET NO.
ct:\pwork\p\104201\CUSHMANBW\dms31213\dms31213.dwg	66808ulvdetail.dgn	DRAWN -	REVISED -			742	37R-4	OGLE	867	187
		CHECKED -	REVISED -			CONTRACT NO. 64E17				
		DATE -	REVISED -			FED. ROAD DIST. NO. ILLINOIS FED. AID PROJECT				
				SCALE:	SHEET NO. 1 OF 2 SHEETS	STA.	TO STA.			