

STATE OF ILLINOIS
DEPARTMENT OF TRANSPORTATION

GENERAL NOTES

Precast Concrete Box Culvert sections shall conform to the requirements of Article 540.06 of the Standard Specifications and the applicable requirements of AASHTO M 259.

The minimum concrete strength shall be 5,000 psi.

Lifting holes shall be filled with concrete plugs and mastic after box sections are in place.

FILL = 2.3 ft. : TABLE _____

REQUIRED AASHTO STEEL AREAS (in²/ft.)

A_{S1} 0.30
A_{S2} 0.35
A_{S3} 0.35
A_{S4} _____

REINFORCEMENT PROVIDED

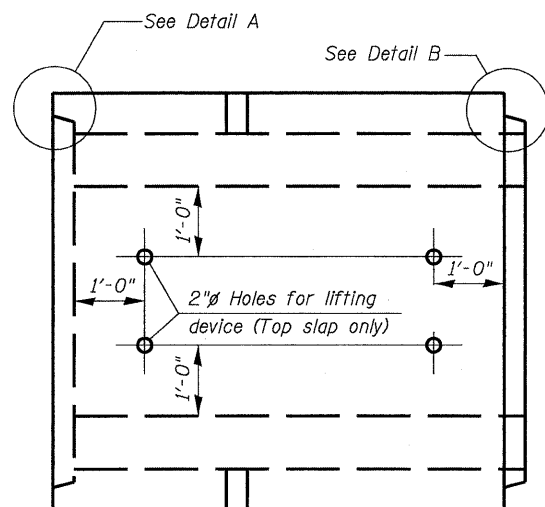
(To be filled out during construction)

AREA
(in²/ft.)

A_{S1} ___ x ___ W ___ x W ___ = ___
A_{S2} ___ x ___ W ___ x W ___ = ___
A_{S3} ___ x ___ W ___ x W ___ = ___
A_{S4} provided by A_{S2} and A_{S3}

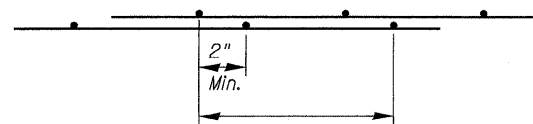
BILL OF MATERIAL

ITEM	UNIT	TOTAL
Precast Concrete Box Culvert 7' X 3' (Special)	Ft.	80

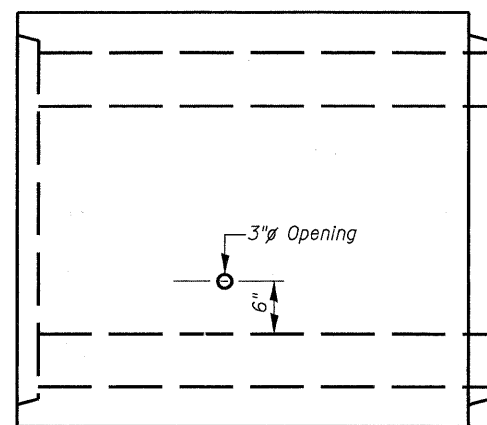


PLAN

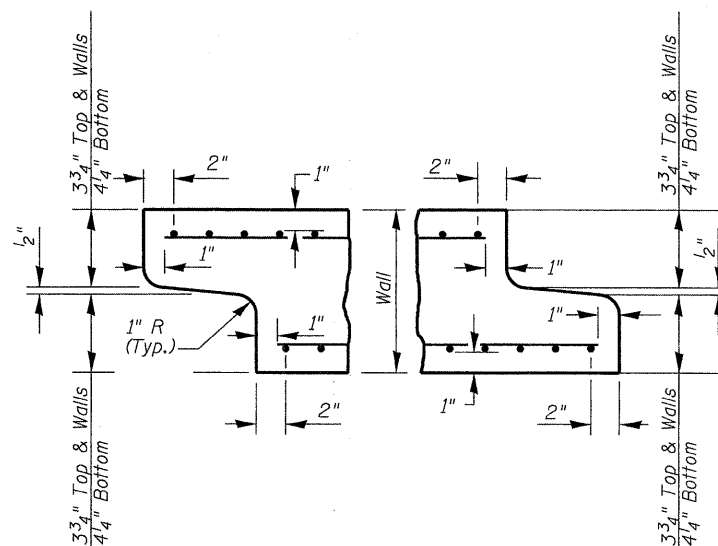
Location of lifting holes may be varied as needed to clear reinf.



TYP. FABRIC LAP



ELEVATION



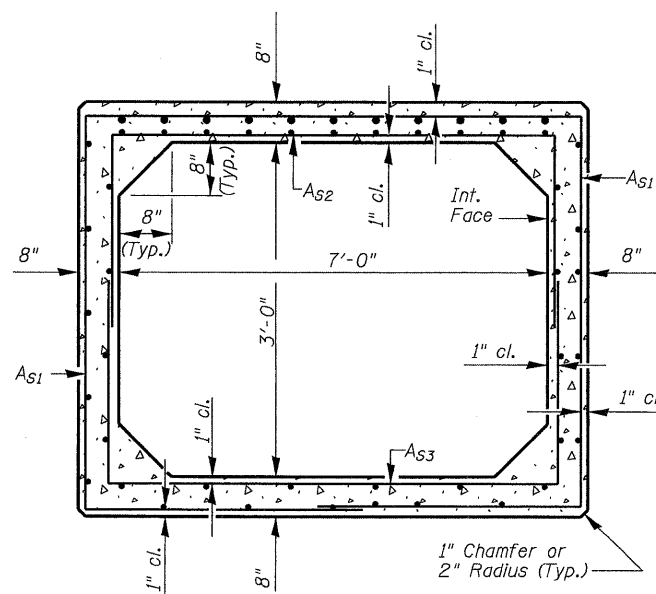
DETAIL A

(Typ. Inlet End)

DETAIL B

(Typ. Outlet End)

Note: Inlet and outlet ends shall be compatible.



CROSS SECTION



David F. Maxwell, S.E.
Reg. No. 081-005455
Date: 5/3/10
My registration expires November 30, 2010.

BARREL DETAILS
IL. RTE. 2 OVER TRIBUTARY TO ROCK RIVER
F.A.P. RTE. 742 SECTION 37 R-4
OGLE COUNTY
STA. 1023+85
STRUCTURE NO. 071-1138

DESIGNED	KJB
CHECKED	CTH
DRAWN	DMJ
CHECKED	CTH

Howard R. Green Company

SHEET NO. 1	F.A.P. RTE.	SECTION	COUNTY	TOTAL SHEETS	SHEET NO.
	742	37 R-4	OGLE	867	196
1 SHEETS	CONTRACT NO. 64E17				
FED. ROAD DIST. NO. 7 ILLINOIS FED. AID PROJECT					