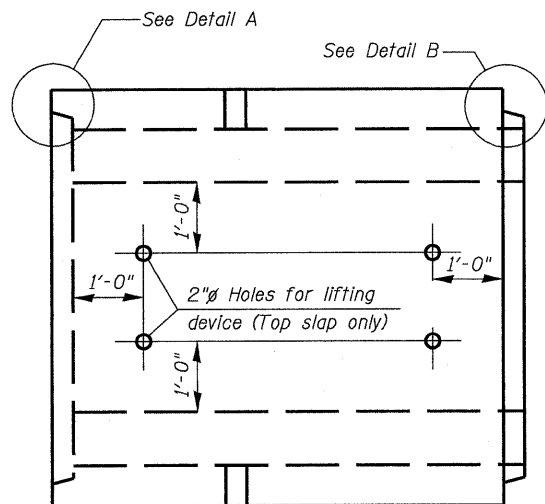
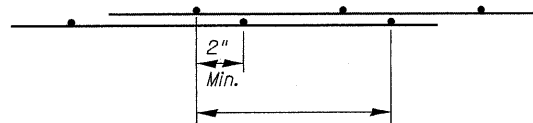


STATE OF ILLINOIS  
DEPARTMENT OF TRANSPORTATION

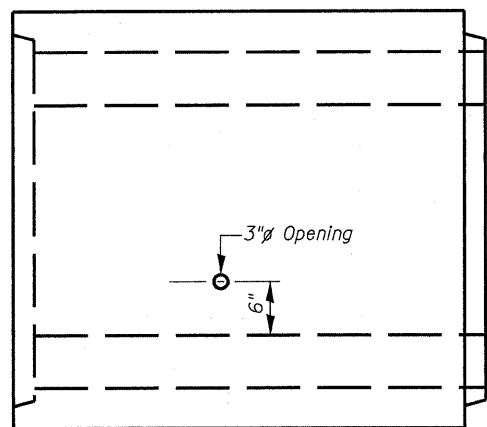


**PLAN**

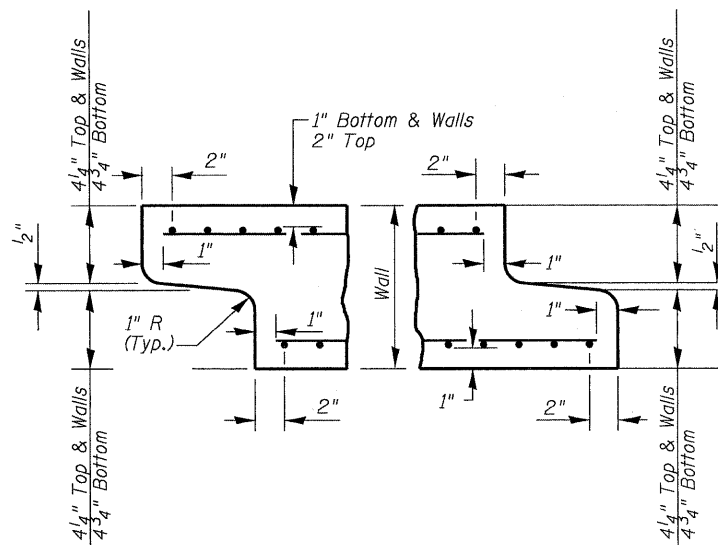
Location of lifting holes may be varied as needed to clear reinf.



**TYP. FABRIC LAP**



**ELEVATION**



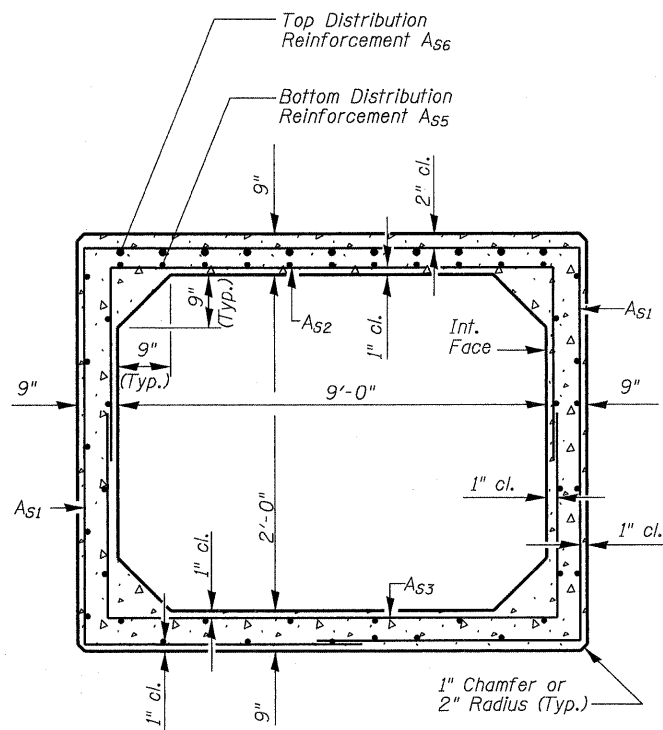
**DETAIL A**

(Typ. Inlet End)

**DETAIL B**

(Typ. Outlet End)

Note: Inlet and outlet ends shall be compatible.



**CROSS SECTION**

**GENERAL NOTES**

Precast Concrete Box Culvert sections shall conform to the requirements of Article 540.06 of the Standard Specifications and the applicable requirements of AASHTO M 273.

The minimum concrete strength shall be 5,000 psi.

Lifting holes shall be filled with concrete plugs and mastic after box sections are in place.

FILL < 2.0 ft. : TABLE \_\_\_\_\_

**REQUIRED AASHTO STEEL AREAS (in<sup>2</sup>/ft.)**

A <sub>S1</sub>	0.42	A <sub>S5</sub>	0.43
A <sub>S2</sub>	0.50	A <sub>S6</sub>	0.22
A <sub>S3</sub>	0.50	A <sub>S7</sub>	
A <sub>S4</sub>		A <sub>S8</sub>	

**REINFORCEMENT PROVIDED**

(To be filled out during construction)

**AREA**  
(in<sup>2</sup>/ft.)

A <sub>S1</sub>	___ x ___ W ___ x W ___ = ___
A <sub>S2</sub>	___ x ___ W ___ x W ___ = ___
A <sub>S3</sub>	___ x ___ W ___ x W ___ = ___
A <sub>S4</sub>	provided by A <sub>S2</sub> and A <sub>S3</sub>
A <sub>S5</sub>	_____ = _____
A <sub>S6</sub>	_____ = _____
A <sub>S7</sub>	provided by A <sub>S1</sub>
A <sub>S8</sub>	provided by A <sub>S1</sub>

**BILL OF MATERIAL**

ITEM	UNIT	TOTAL
Precast Concrete Box Culvert 9' X 2' (Special)	Ft.	68



David F. Maxwell, S.E. Reg. No. 081-005455  
Date: 5/3/10  
My registration expires November 30, 2010.

**BARREL DETAILS**  
IL. RTE. 2 OVER TRIBUTARY TO ROCK RIVER  
F.A.P. RTE. 742 SECTION 37 R-4  
OGLE COUNTY  
STA. 1042+23  
STRUCTURE NO. 071-1129

DESIGNED	KJB
CHECKED	CTH
DRAWN	DMJ
CHECKED	CTH

Howard R. Green Company

SHEET NO. 1	F.A.P. RTE.	SECTION	COUNTY	TOTAL SHEETS	SHEET NO.
	742	37 R-4	OGLE	867	197
1 SHEETS	CONTRACT NO. 64E17				
FED. ROAD DIST. NO. 7 ILLINOIS FED. AID PROJECT					