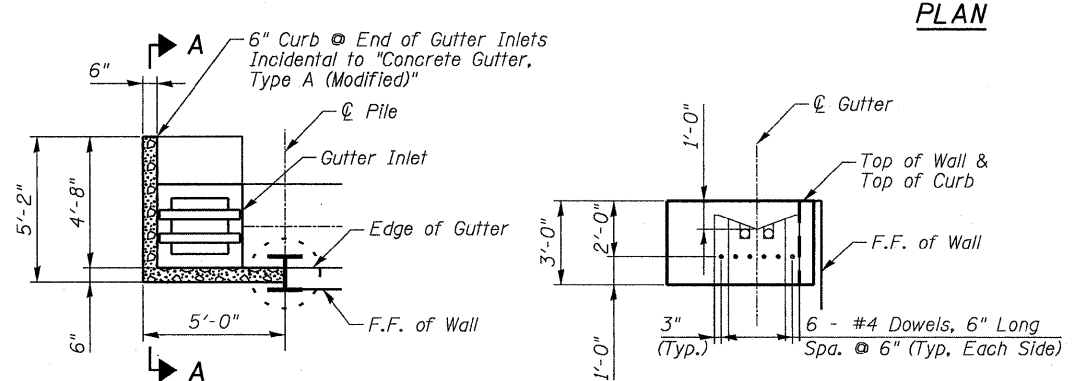
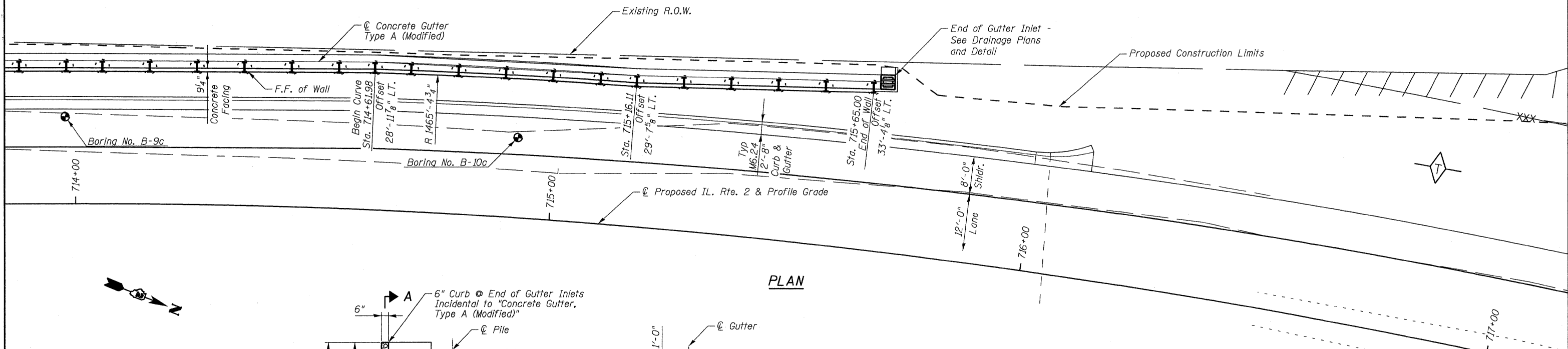
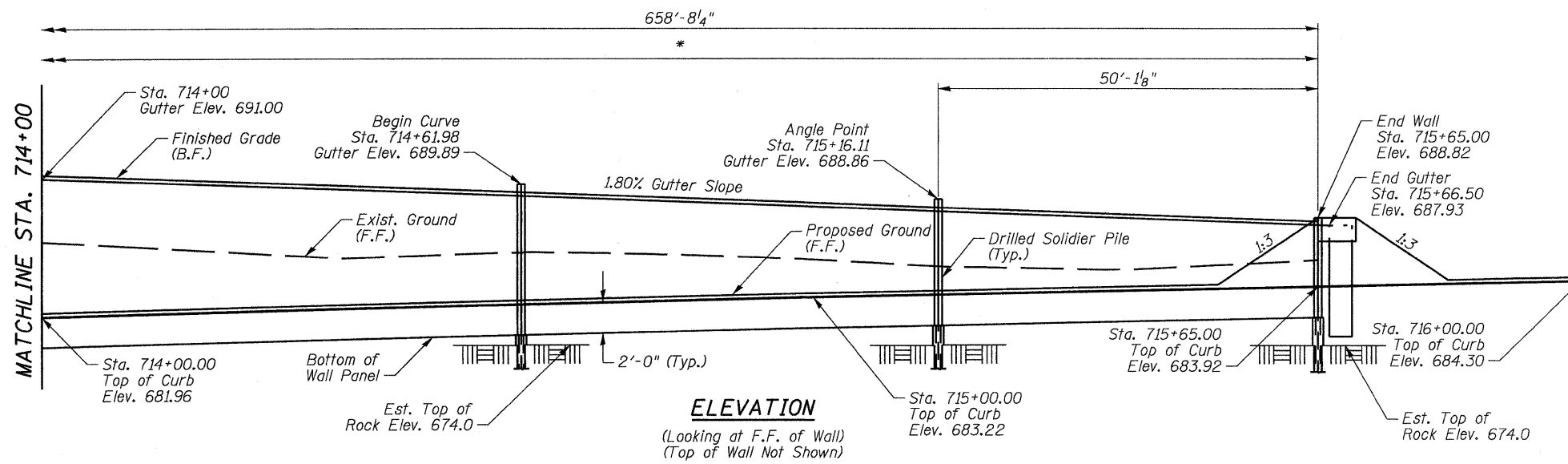


STATE OF ILLINOIS
DEPARTMENT OF TRANSPORTATION

* For top of wall elevation, pile section, spacing and tip elevation see sheets 6-8 of 13. Bottom of wall panels shall be a minimum of 2'-0" below top of curb.



GENERAL PLAN & ELEVATION
STRUCTURE NO. 071-7003

DESIGNED	JMW
CHECKED	DFM
DRAWN	CTH
CHECKED	DFM

Howard R. Green Company

SHEET NO. 3	F.A.P. RTE.	SECTION	COUNTY	TOTAL SHEETS	SHEET NO.
	742	37R-4	OGLE	867	202
13 SHEETS	CONTRACT NO. 64E17				
FED. ROAD DIST. NO. 7 ILLINOIS FED. AID PROJECT					