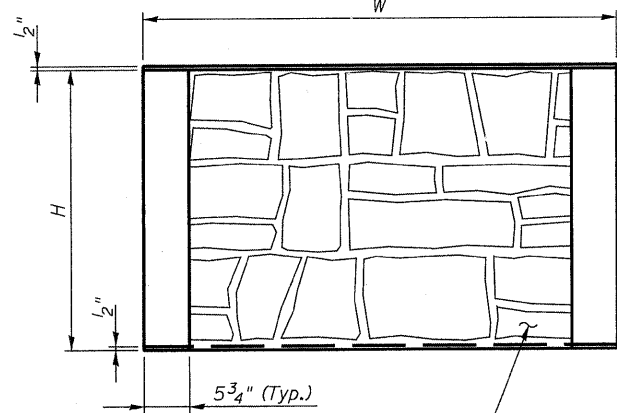
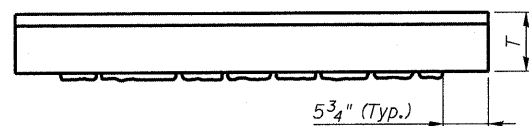


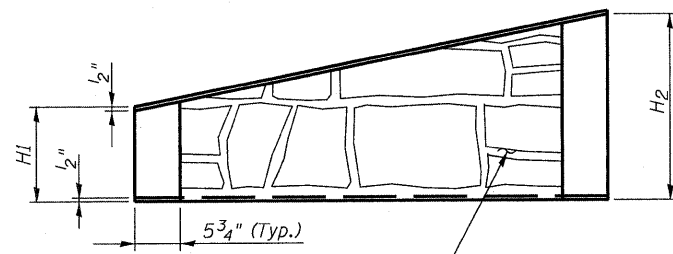
STATE OF ILLINOIS  
DEPARTMENT OF TRANSPORTATION



**TYPICAL PANEL ELEVATION**

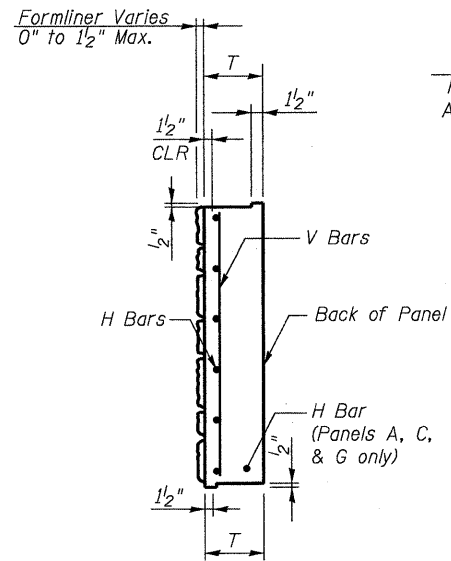


**PANEL TOP VIEW**

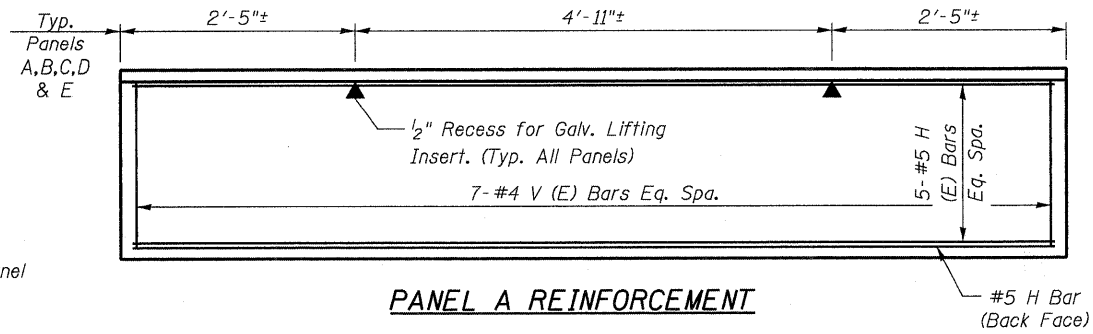


**SLOPED PANEL ELEVATION**

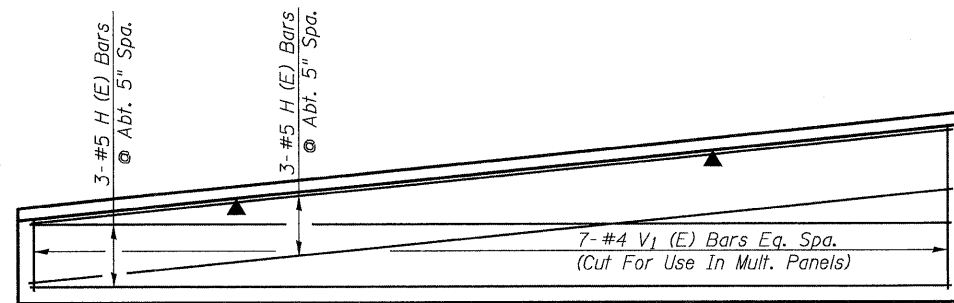
(Left end low shown.  
Right end low opp. hand.)



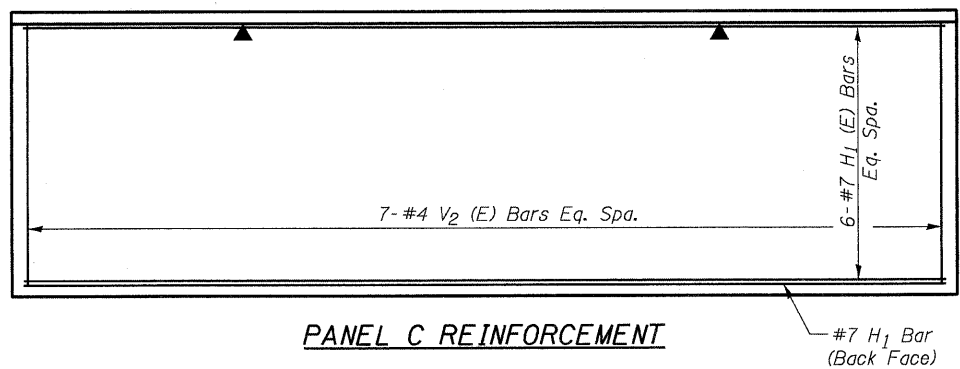
**PANEL END VIEW**



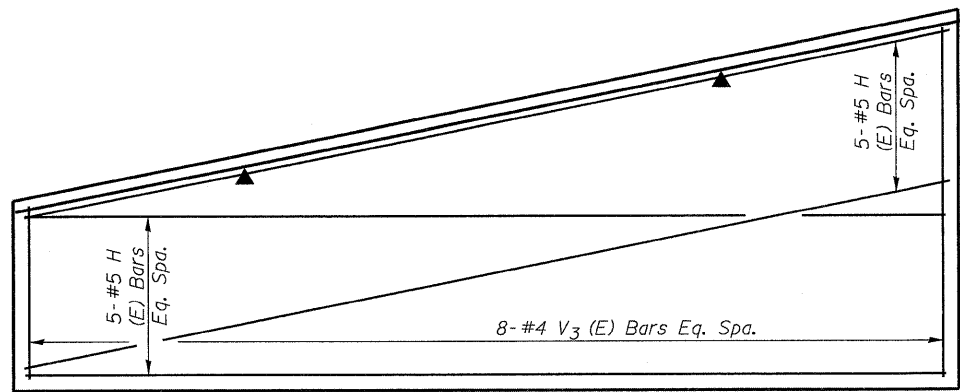
**PANEL A REINFORCEMENT**



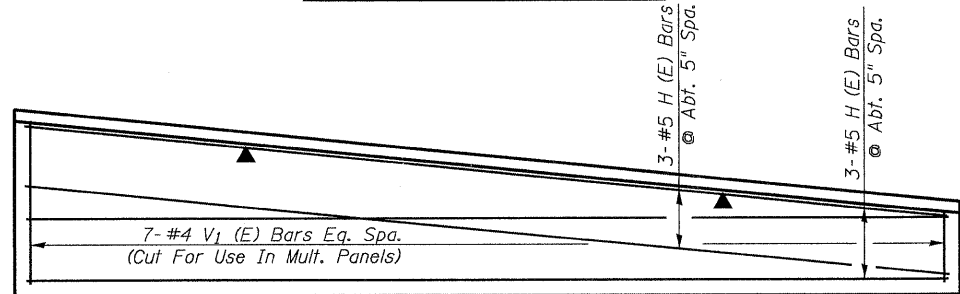
**PANEL B REINFORCEMENT**



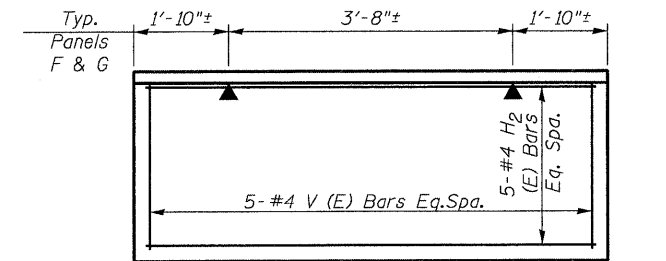
**PANEL C REINFORCEMENT**



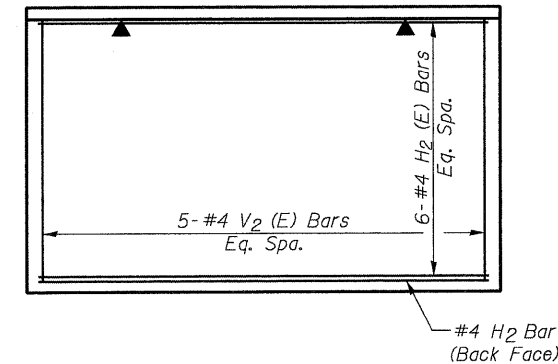
**PANEL D REINFORCEMENT**



**PANEL E REINFORCEMENT**



**PANEL F REINFORCEMENT**



**PANEL G REINFORCEMENT**

**PANEL DIMENSIONS TABLE**

PANEL	H	H1	H2	W	T
A	1'-11 <sup>3</sup> / <sub>4</sub> "	-	-	9'-9"	9 <sup>1</sup> / <sub>4</sub> "
B	-	11 <sup>3</sup> / <sub>4</sub> "	1'-11 <sup>3</sup> / <sub>4</sub> "	9'-9"	9 <sup>1</sup> / <sub>4</sub> "
C	2'-11 <sup>3</sup> / <sub>4</sub> "	-	-	9'-9"	9 <sup>1</sup> / <sub>4</sub> "
D	-	1'-11 <sup>3</sup> / <sub>4</sub> "	3'-11 <sup>3</sup> / <sub>4</sub> "	9'-9"	9 <sup>1</sup> / <sub>4</sub> "
E	-	1'-11 <sup>3</sup> / <sub>4</sub> "	11 <sup>3</sup> / <sub>4</sub> "	9'-9"	9 <sup>1</sup> / <sub>4</sub> "
F	1'-11 <sup>3</sup> / <sub>4</sub> "	-	-	7'-4"	9 <sup>1</sup> / <sub>4</sub> "
G	2'-11 <sup>3</sup> / <sub>4</sub> "	-	-	7'-4"	9 <sup>1</sup> / <sub>4</sub> "

**PANEL DETAILS  
STRUCTURE NO. 071-7003**

DESIGNED	JMW
CHECKED	DFM
DRAWN	CTH
CHECKED	DFM

Howard R. Green Company

SHEET NO. 9 13 SHEETS	F.A.P. RTE. 742	SECTION 37R-4	COUNTY OGLE	TOTAL SHEETS 867	SHEET NO. 208
	CONTRACT NO. 64E17			FED. ROAD DIST. NO. 7 ILLINOIS FED. AID PROJECT	