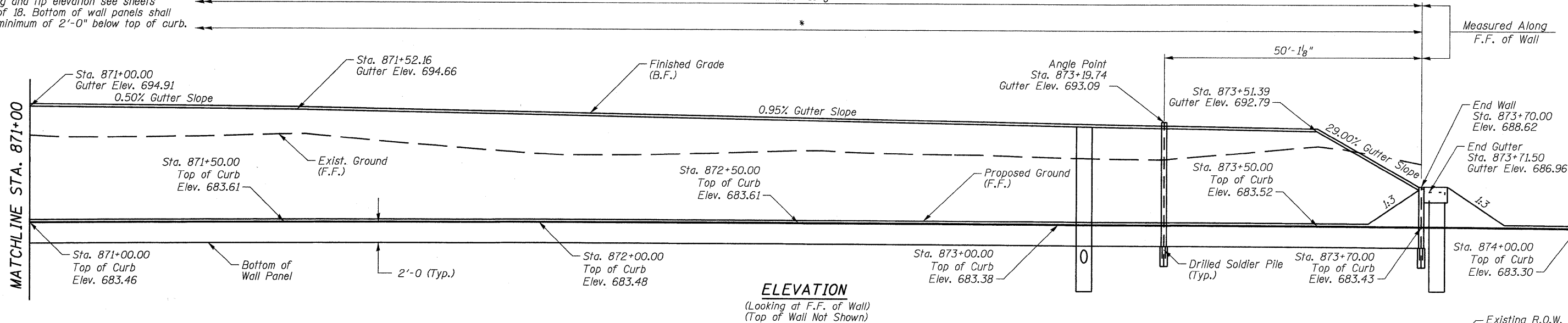


STATE OF ILLINOIS  
DEPARTMENT OF TRANSPORTATION

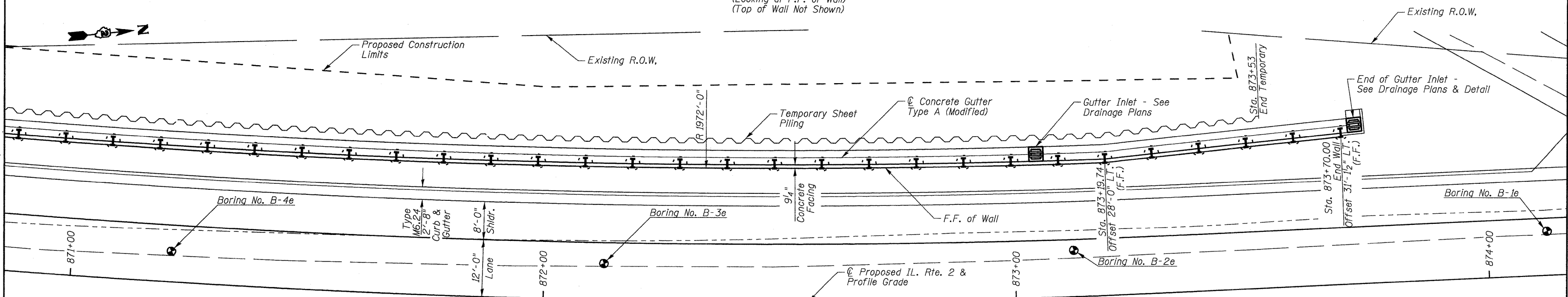
\* For top of wall elevation, pile section, spacing and tip elevation see sheets 7-10 of 18. Bottom of wall panels shall be a minimum of 2'-0" below top of curb.

1089'-10<sup>3</sup>/<sub>8</sub>"

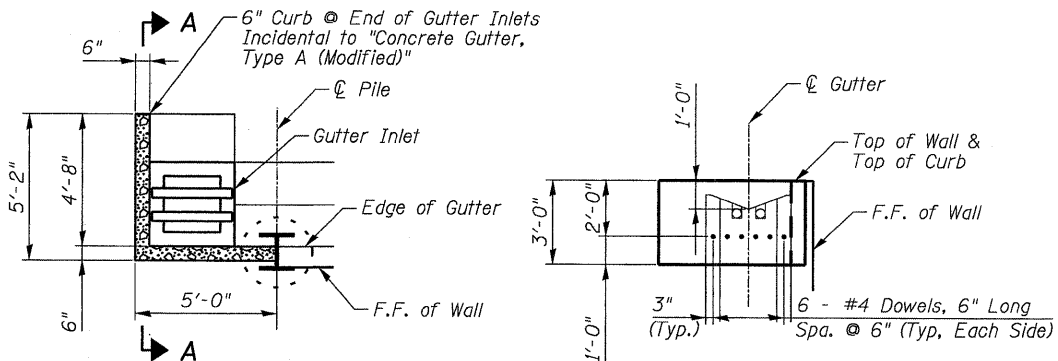


**ELEVATION**

(Looking at F.F. of Wall)  
(Top of Wall Not Shown)



**PLAN**



**END OF GUTTER  
INLET CURB DETAIL**

End @ Sta. 862+70 Shown Here  
End @ Sta. 873+70 Opp. Hand

**SECTION A-A**

DESIGNED CTH
CHECKED DFM
DRAWN CTH
CHECKED DFM

**GENERAL PLAN & ELEVATION  
STRUCTURE NO. 071-7005**

SHEET NO. 4 18 SHEETS	F.A.P. RTE.	SECTION	COUNTY	TOTAL SHEETS	SHEET NO.
	742	37R-4	OGLE	867	239
			CONTRACT NO. 64E17		
FED. ROAD DIST. NO. 7 ILLINOIS FED. AID PROJECT					