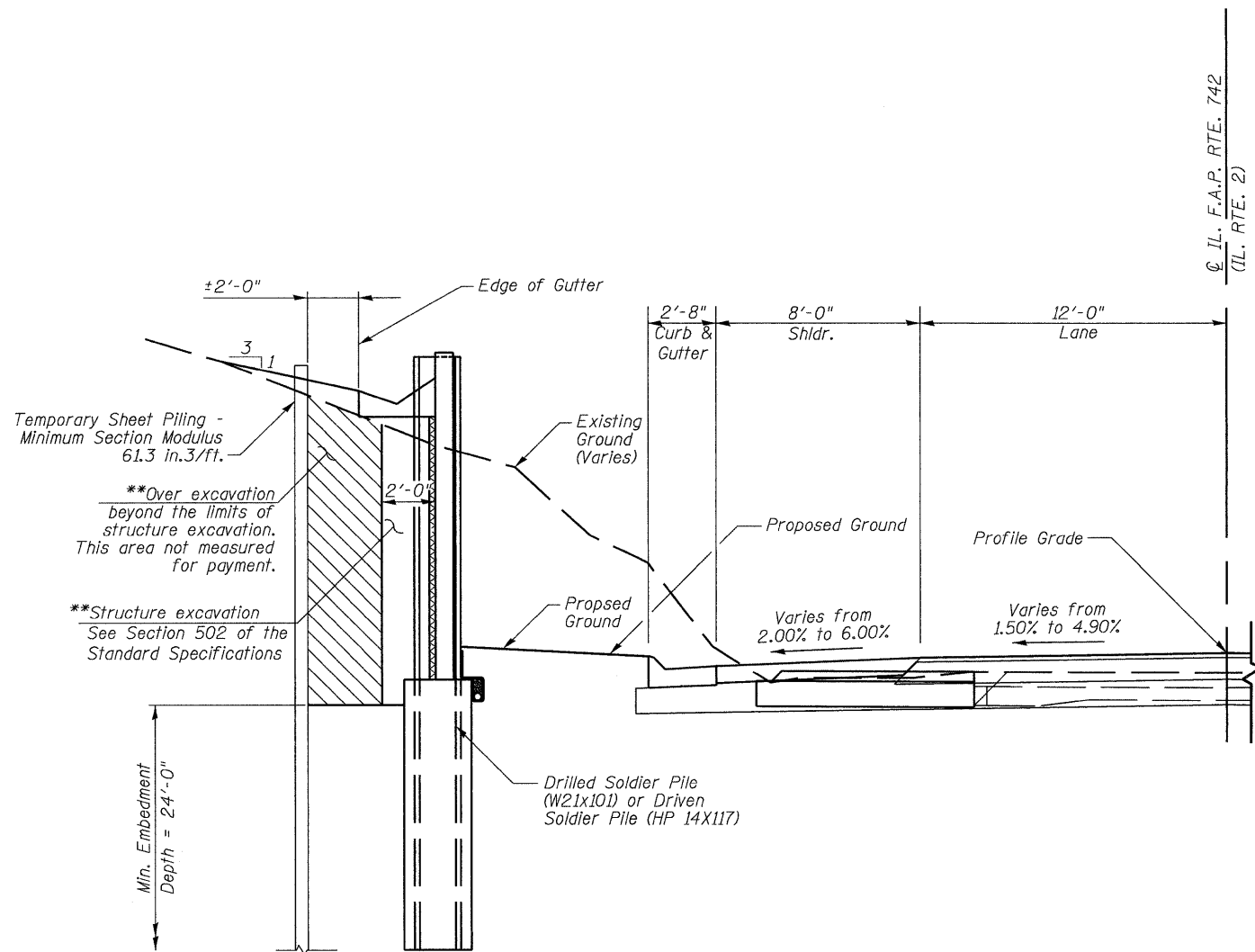
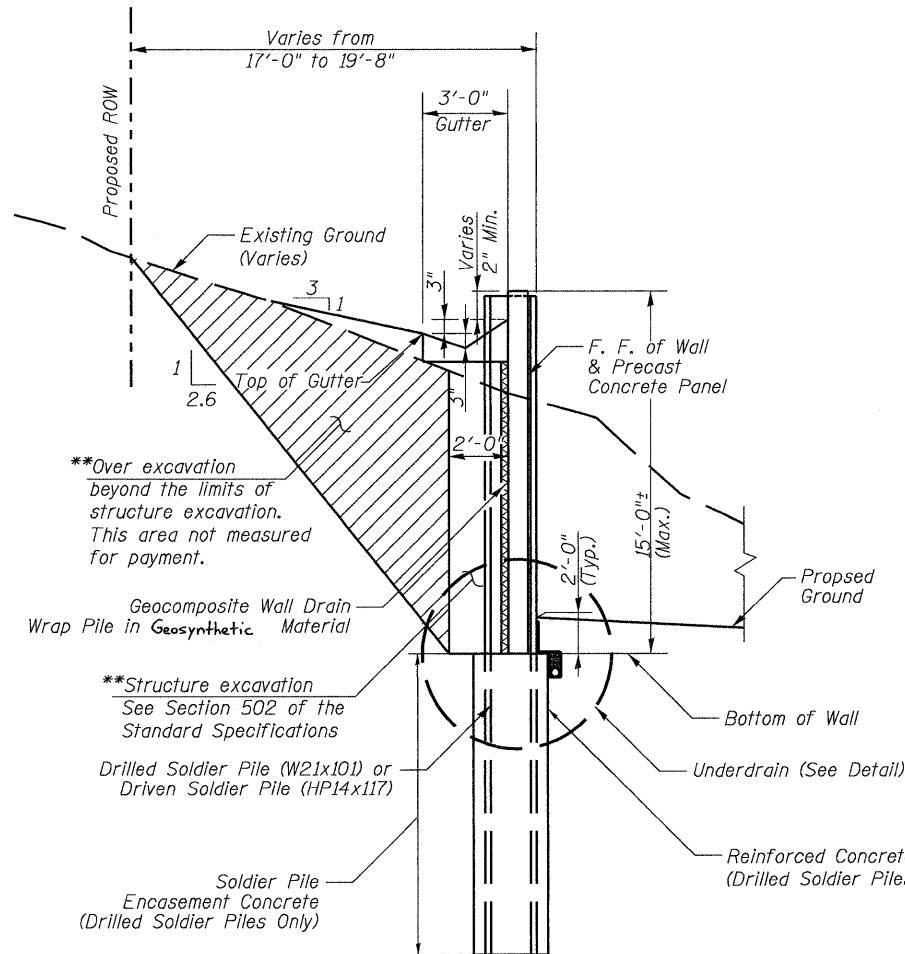


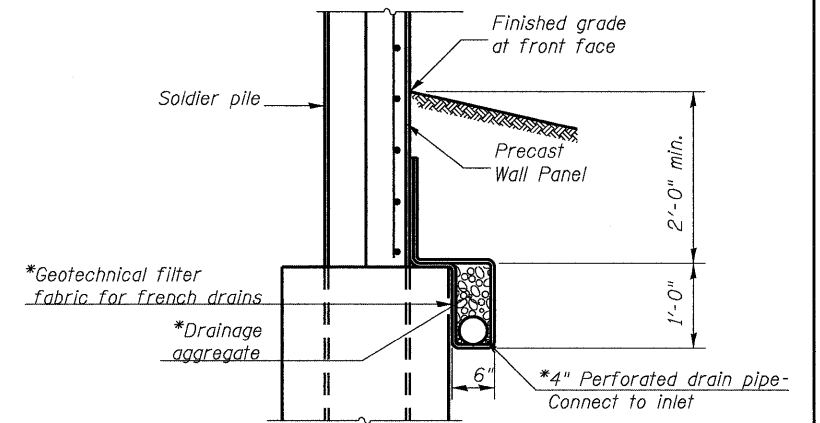
STATE OF ILLINOIS
DEPARTMENT OF TRANSPORTATION



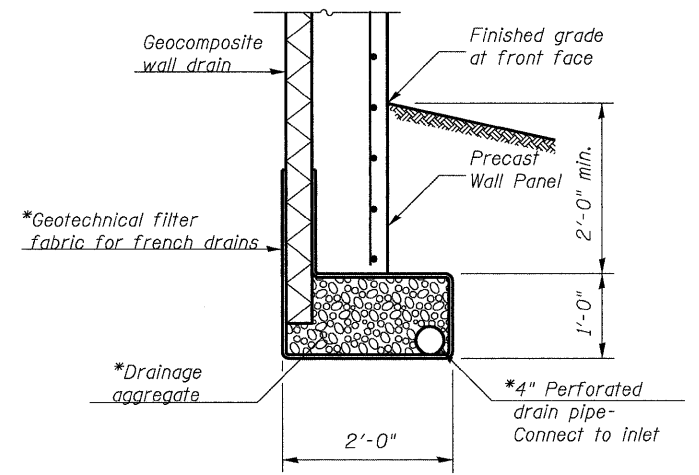
**RETAINING WALL TYPICAL SECTION
STA. 862+70.00 TO STA. 873+53.00
(LOOKING NORTH)**



**RETAINING WALL SECTION
WITHOUT TEMPORARY SHEET PILING
Sta. 873+53.00 to Sta. 873+70.00
(LOOKING NORTH)**



UNDERDRAIN DETAIL AT SOLDIER PILES



UNDERDRAIN DETAIL BETWEEN SOLDIER PILES

Note:
See sheets 7-10 of 18 for W21x101 / HP14x117 location and spacing.

Precast panels will be finished with a uniform Ashlar Stone pattern with a horizontal break every 1'-0" vertically. See sheet 11 of 18.

* Included in the cost of pipe underdrains for structures.

** Backfill remainder of structure excavation and over excavation with Granular Backfill. Cost included in structure excavation.

DESIGNED	CTH
CHECKED	DFM
DRAWN	CTH
CHECKED	DFM

Howard R. Green Company

**DETAILS
STRUCTURE NO. 071-7005**

SHEET NO. 6	F.A.P. RTE.	SECTION	COUNTY	TOTAL SHEETS	SHEET NO.
	742	37R-4	OGLE	867	241
18 SHEETS	CONTRACT NO. 64E17				
FED. ROAD DIST. NO. 7 ILLINOIS FED. AID PROJECT					