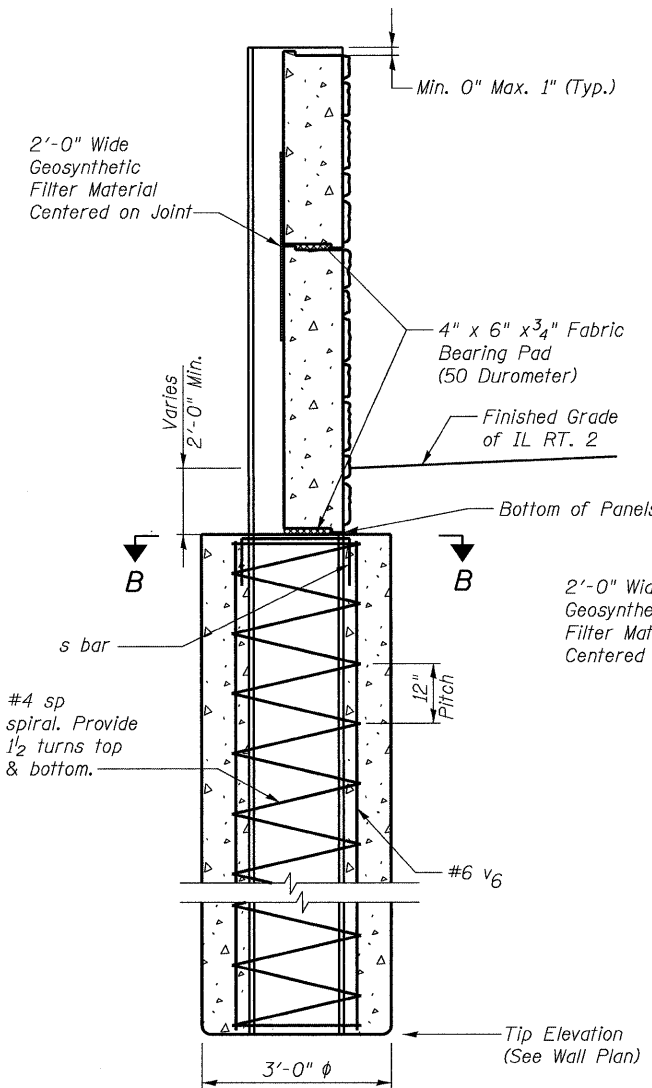
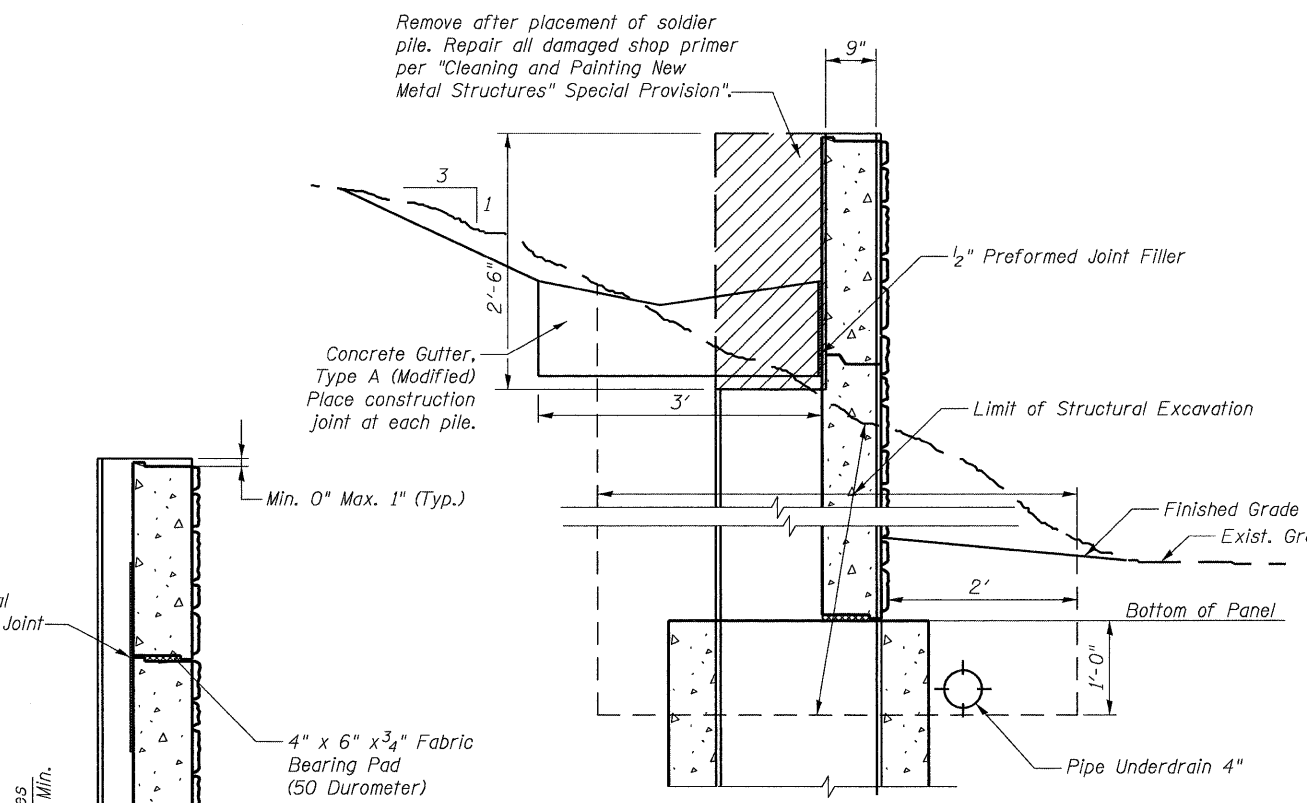


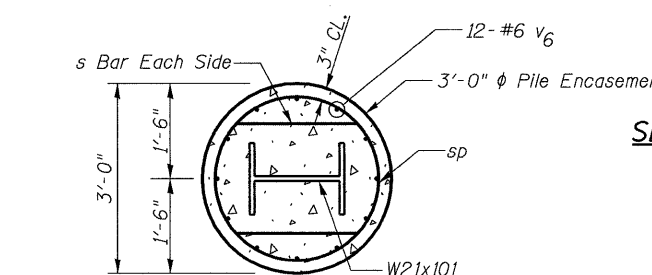
STATE OF ILLINOIS  
DEPARTMENT OF TRANSPORTATION



**SECTION THROUGH DRILLED PILE**



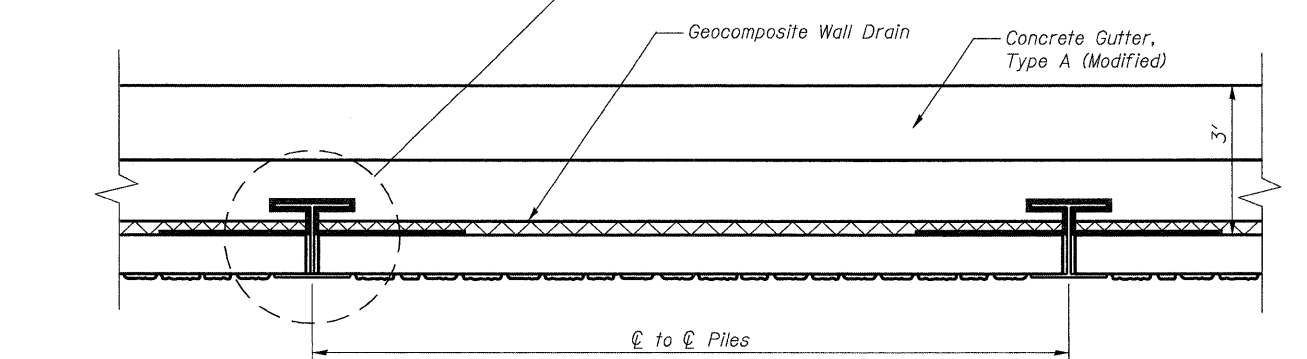
**LIMIT OF STRUCTURAL EXCAVATION**



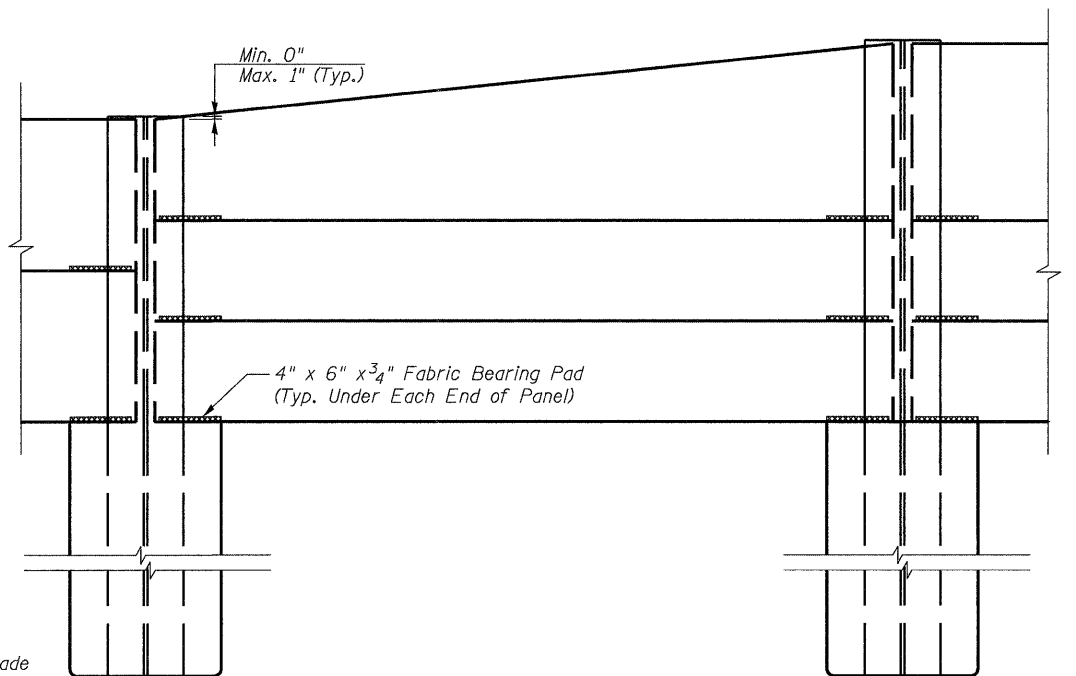
**SECTION B-B**

DESIGNED	CTH
CHECKED	DFM
DRAWN	CTH
CHECKED	DFM

**SECTION THROUGH DRIVEN PILE**



**PLAN**

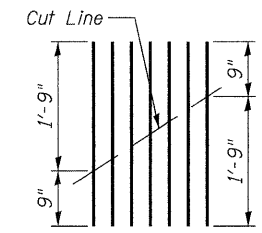


**ELEVATION**

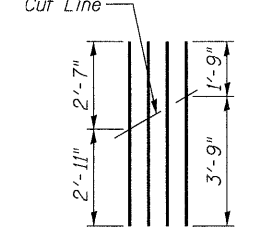
Reinforcement Quantities for information only.  
All form liners required for the precast concrete panels are included in the pay item "Retaining Wall (Special)".  
Reinforcement & Concrete for panels and pile encasement are included in the pay items "Retaining Wall (Special)" or "Drilling & Setting Soldier Piles (In Soil)".

**BILL OF MATERIALS\*\*\***

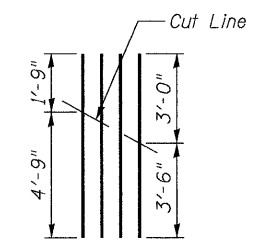
Bar	No.	Size	Length	Shape
V (E)	813	#4	1'-9"	—
V <sub>1</sub> (E)	18	#4	2'-6"	—
V <sub>2</sub> (E)	2327	#4	2'-9"	—
V <sub>3</sub> (E)	4	#4	5'-6"	—
V <sub>4</sub> (E)	4	#4	6'-6"	—
V <sub>5</sub> (E)	28	#4	2'-6"	—
v <sub>6</sub>	516	#6	22'-10"	—
H (E)	214	#5	9'-6"	—
H <sub>1</sub> (E)	1211	#6	9'-6"	—
H <sub>2</sub> (E)	2382	#4	4'-6"	—
sp	43	#4	22'-10"	⋈
s	85	#4	3'-10"	┌
Reinforcement Bars, Epoxy Coated		Pounds	31,860	
Reinforcement Bars		Pounds	20,400	
Concrete Structures		Cu. Yd.	319.6	



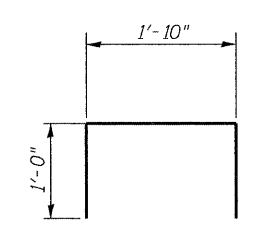
**V<sub>1</sub> (E) BARS**



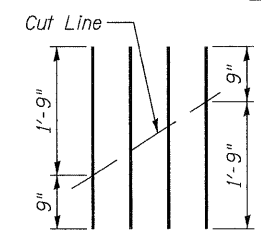
**V<sub>3</sub> (E) BARS**



**V<sub>4</sub> (E) BARS**



**s BARS**



**V<sub>5</sub> (E) BARS**

**WALL DETAILS  
STRUCTURE NO. 071-7005**

\*\*Length is height for spiral.  
\*\*\*For information only.

SHEET NO. 12 18 SHEETS	F.A.P. RTE. 742	SECTION 37R-4	COUNTY OGLE	TOTAL SHEETS 867	SHEET NO. 247
	CONTRACT NO. 64E17				
FED. ROAD DIST. NO. 7 ILLINOIS FED. AID PROJECT					