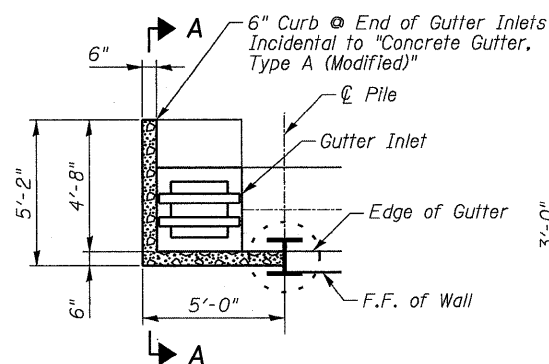
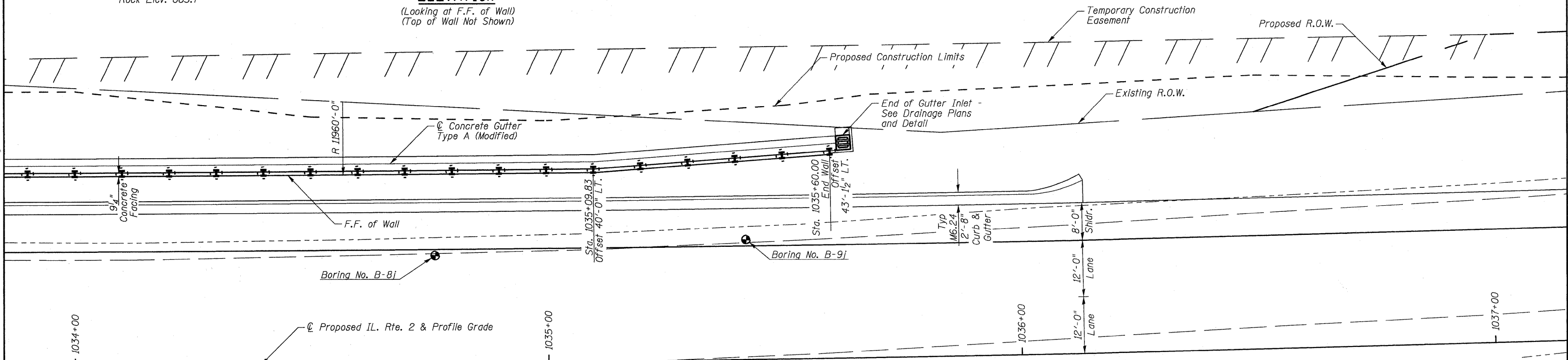
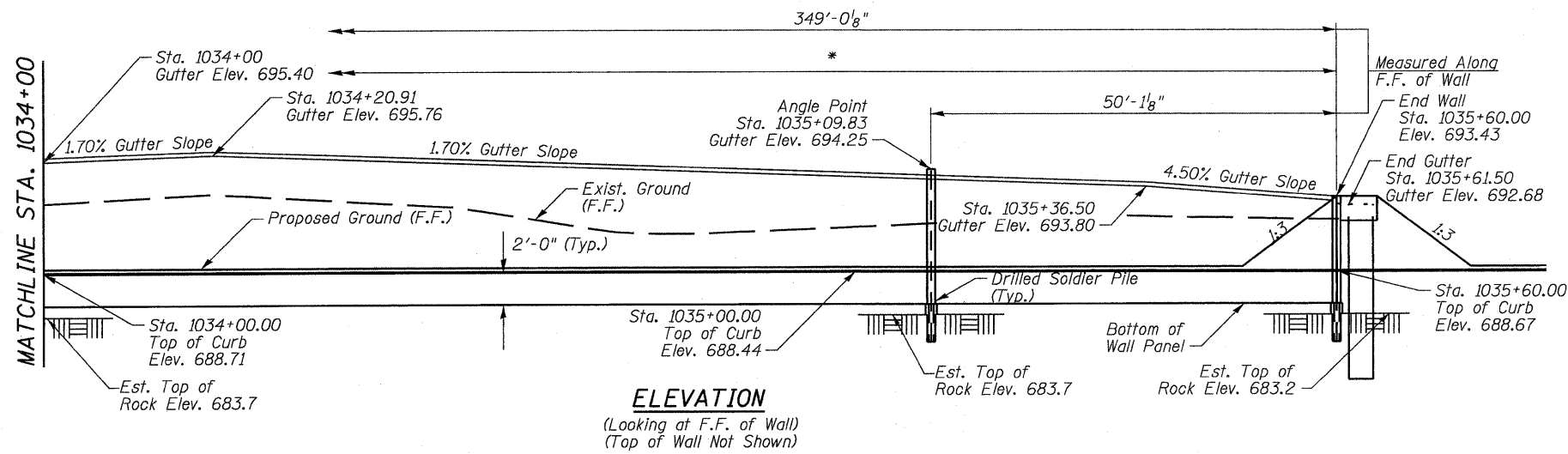
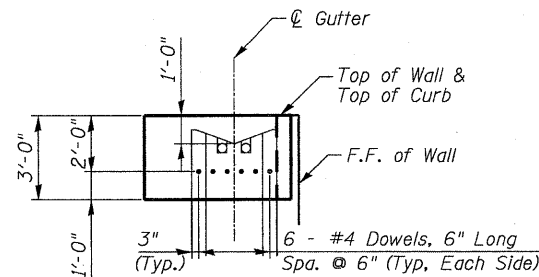


STATE OF ILLINOIS
DEPARTMENT OF TRANSPORTATION

* For top of wall elevation, pile section, spacing and tip elevation see sheets 5 and 6 of 11. Bottom of wall panels shall be a minimum of 2'-0" below top of curb.



End @ Sta. 1032+10 Shown Here
End @ Sta. 1035+60 Opp. Hand



DESIGNED	CTH
CHECKED	DFM
DRAWN	CTH
CHECKED	DFM

Howard R. Green Company

**GENERAL PLAN & ELEVATION
STRUCTURE NO. 071-7006**

SHEET NO. 2	F.A.P. RTE.	SECTION	COUNTY	TOTAL SHEETS	SHEET NO.
	742	37R-4	OGLE	867	255
11 SHEETS	CONTRACT NO. 64E17				
FED. ROAD DIST. NO. 7 ILLINOIS FED. AID PROJECT					