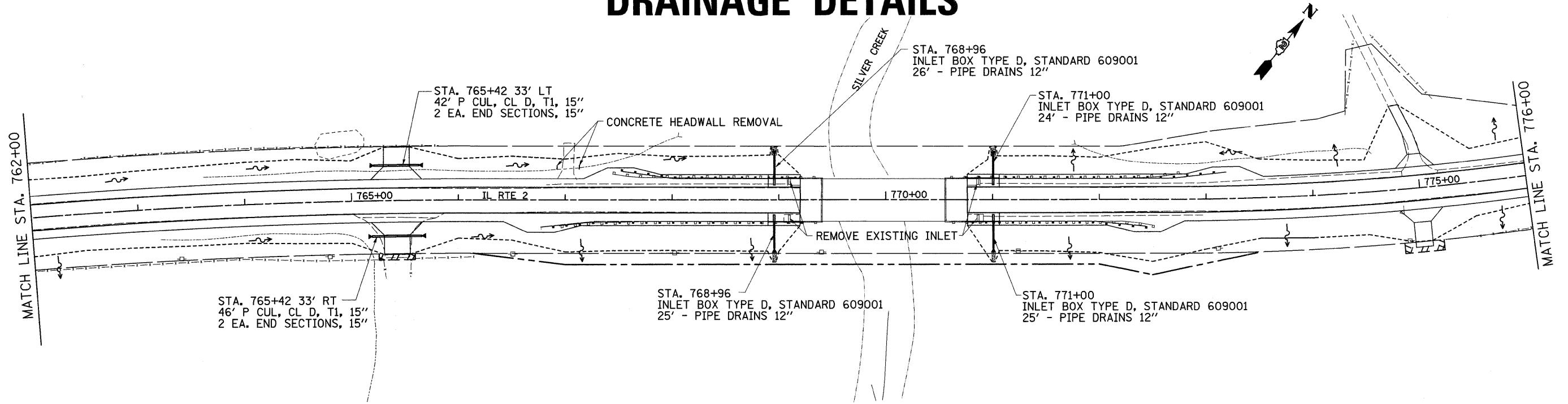
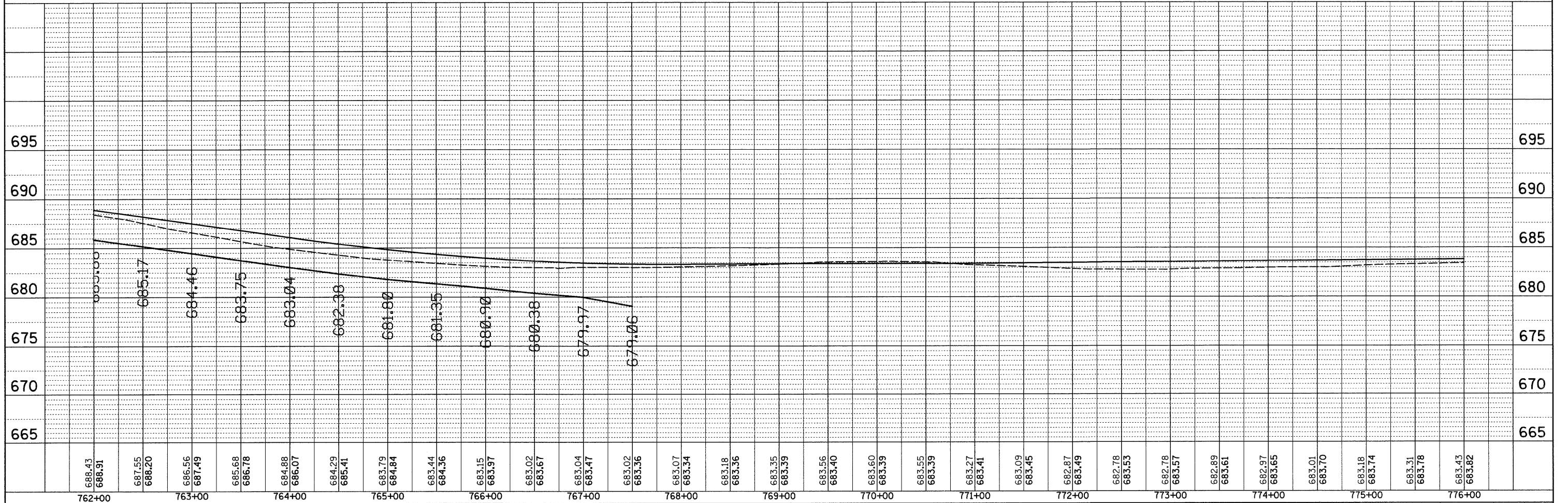


# DRAINAGE DETAILS



PLAN	SURVEYED	DATE
	DESIGNED	
	CHECKED	
	BY	
	NO.	

PROFILE	SURVEYED	DATE
	DESIGNED	
	CHECKED	
	BY	
	NO.	



FILE NAME =	USER NAME = grantpm	DESIGNED -	REVISED -	<b>STATE OF ILLINOIS DEPARTMENT OF TRANSPORTATION</b>	<b>DRAINAGE DETAILS</b>	F.A.P. RTE.	SECTION	COUNTY	TOTAL SHEETS	SHEET NO.	
cr:\pw\work\PWIDOT\GRANTPM\dms31213\406608.drl.dgn		DRAWN -	REVISED -			742	37R-4	OGLE	867	329	
PLOT SCALE = 50.0000' / IN.		CHECKED -	REVISED -			CONTRACT NO. 64E17					
PLOT DATE = Tue Mar 30 10:36:59 2010		DATE -	REVISED -			FED. ROAD DIST. NO. [ILLINOIS] FED. AID PROJECT					