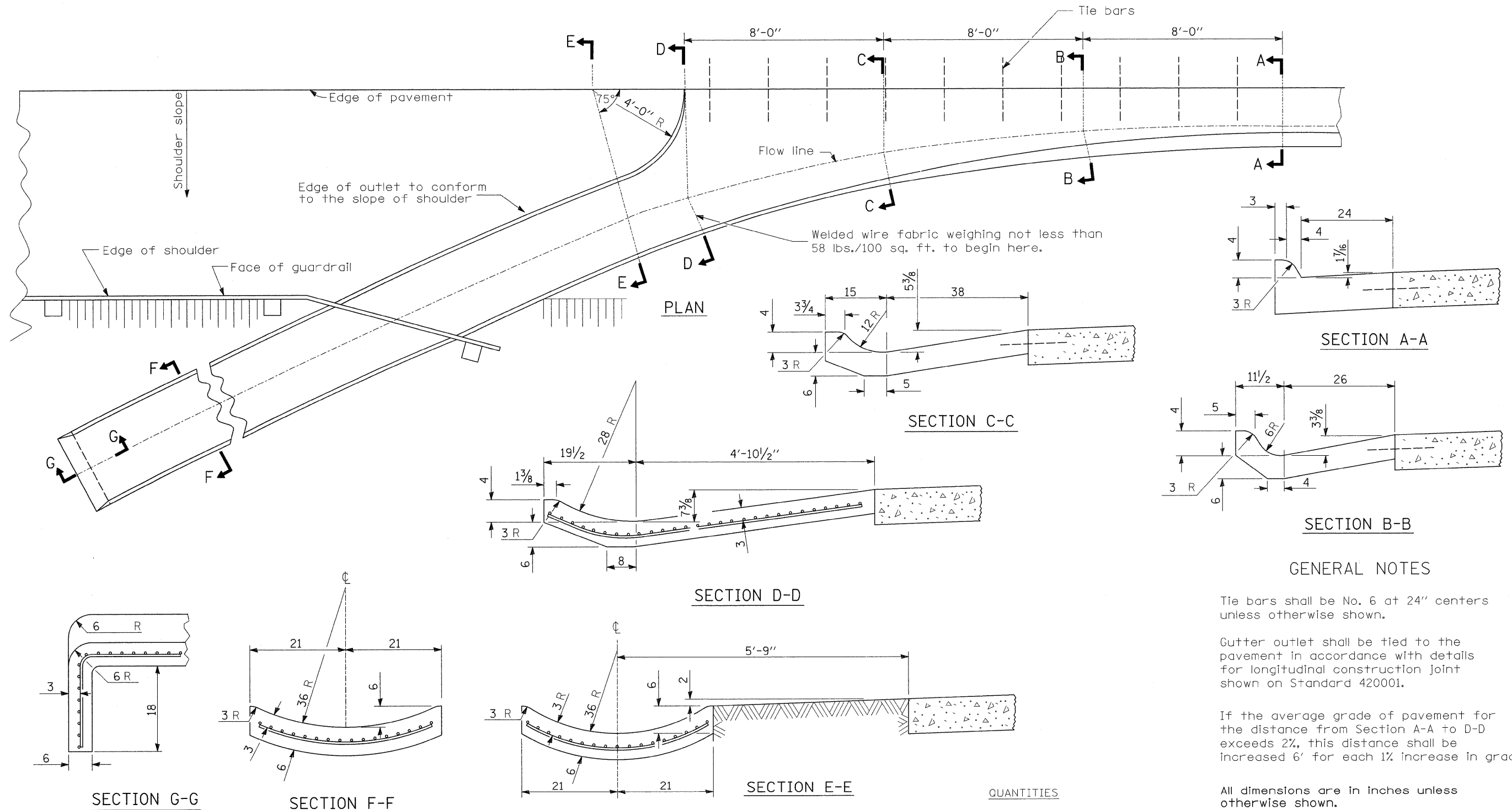


OUTLET FOR CURB & GUTTER TYPE M-4.24



GENERAL NOTES

Tie bars shall be No. 6 at 24" centers unless otherwise shown.

Gutter outlet shall be tied to the pavement in accordance with details for longitudinal construction joint shown on Standard 420001.

If the average grade of pavement for the distance from Section A-A to D-D exceeds 2%, this distance shall be increased 6' for each 1% increase in grade.

All dimensions are in inches unless otherwise shown.

QUANTITIES

For Section A-A to E-E and curtain wall = 2.40 cu. yds. concrete for 9 1/2 pav't.

For Section F-F = 0.069 cu. yds. concrete per ft.

FILE NAME =	USER NAME = grantpm	DESIGNED -	REVISED -	STATE OF ILLINOIS DEPARTMENT OF TRANSPORTATION	OUTLET FOR CURB & GUTTER TYPE M-4.24	F.A.P. RTE. 742	SECTION 37R-4	COUNTY OGLE	TOTAL SHEETS 867	SHEET NO. 444	
cd:\pw_work\PWIDOT\GRANTPM\dms31213\006888ap1.dgn	PLOT SCALE = 50.0000' / IN.	DRAWN -	REVISED -			SCALE:	SHEET NO. 1 OF 2 SHEETS	STA.	TO STA.	FED. ROAD DIST. NO.	ILLINOIS FED. AID PROJECT
	PLOT DATE = Tue Mar 30 09:22:01 2010	CHECKED -	REVISED -			CONTRACT NO. 64E17					
		DATE -	REVISED -								