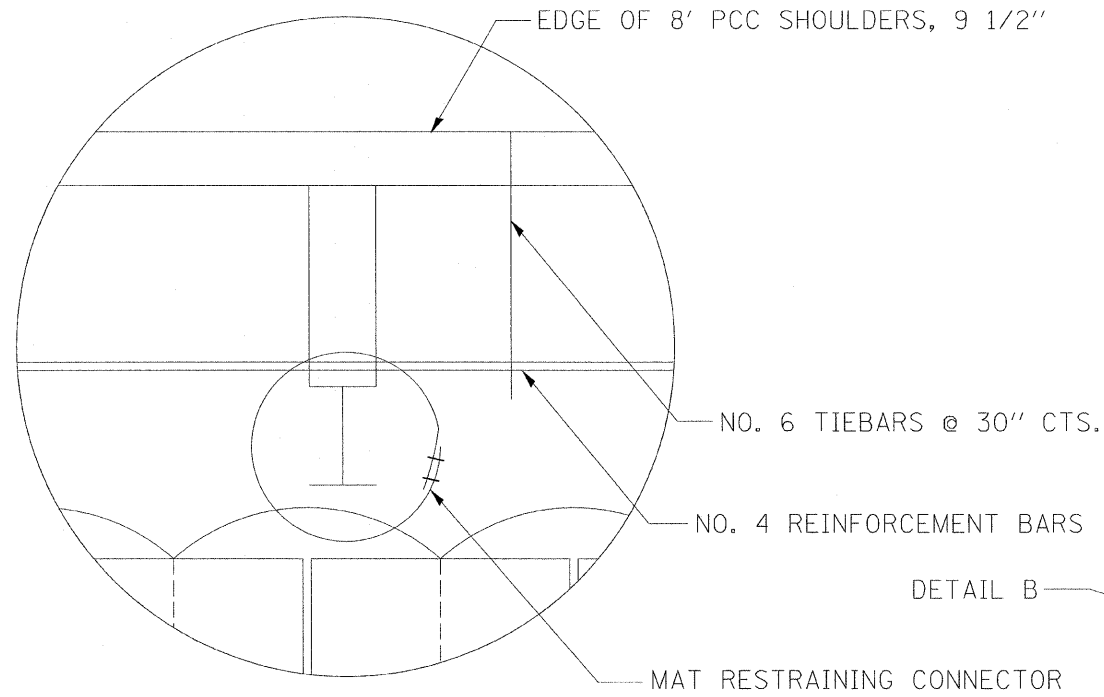
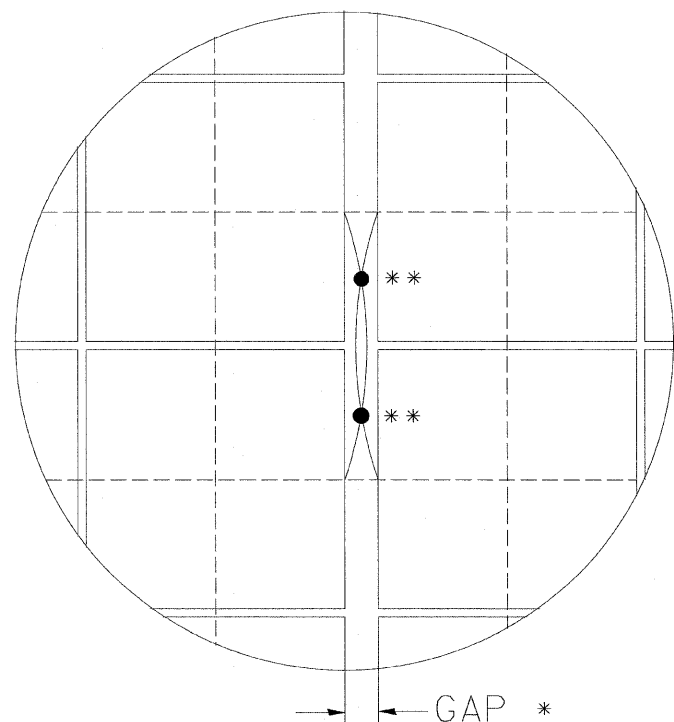


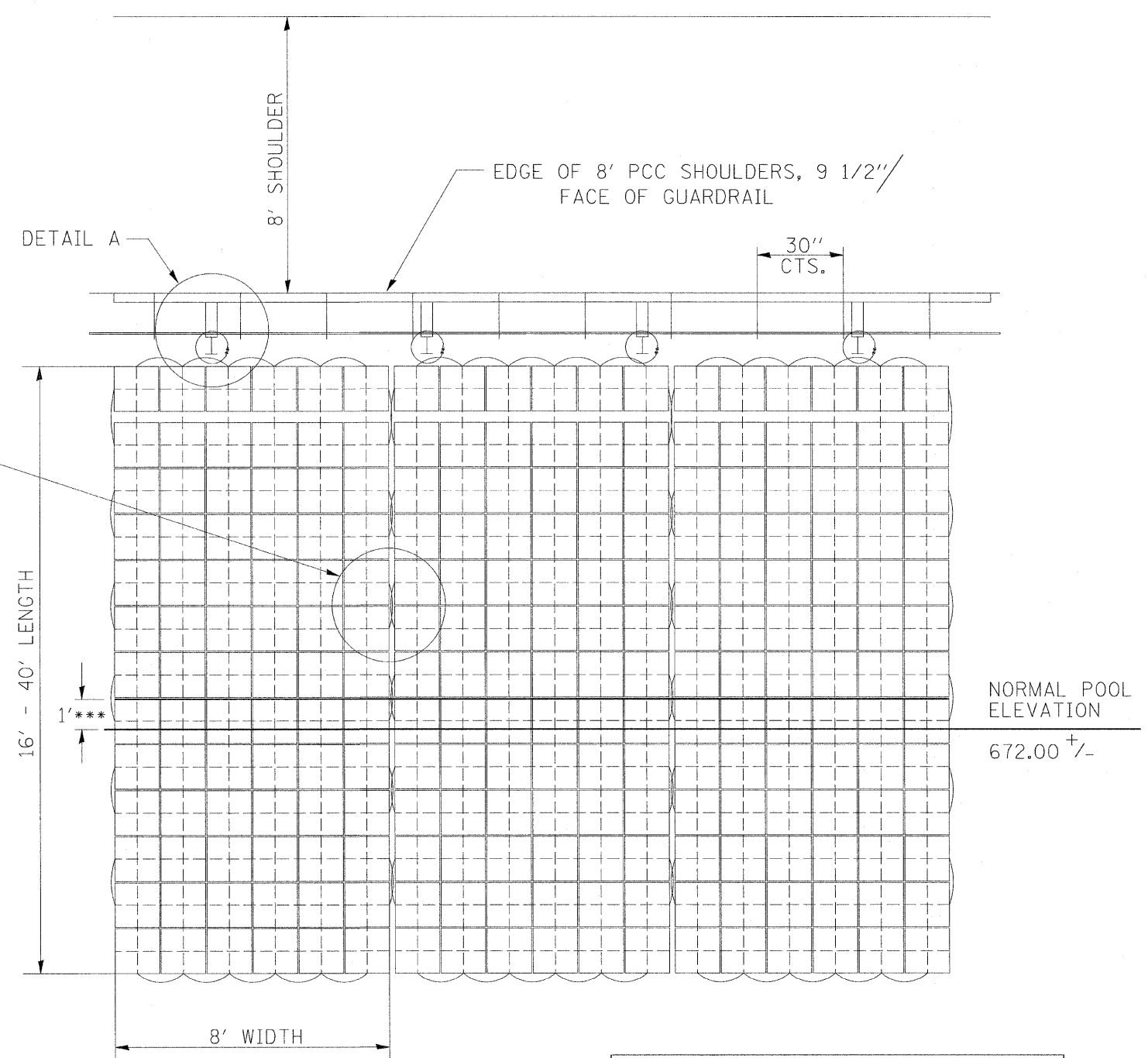
ARTICULATED BLOCK – CONNECTION DETAIL



DETAIL A



DETAIL B



BILL OF MATERIAL	
MAT RESTRAINING CONNECTOR	625 EACH
**** REINFORCEMENT BARS (LBS.)	2833

- * FOR GAPS > 2" CLASS SI CONCRETE WILL BE REQUIRED
- ** TIES TO MATS REQUIRED ABOVE THE NORMAL POOL ELEVATION
- *** IF THE MAT HAS THE CONSISTENT VERTICAL SEAMS, THEN PLACE THE CLASS SI CONCRETE SEAM HORIZONTALLY AT THE 1' ABOVE THE NORMAL POOL WATER ELEVATION

MINIMUM BAR LAP (NO.4) = 1'-8"
 **** NO.4 BARS, 40' LENGTHS= (QTY. of 106)

FILE NAME =	USER NAME = cushmanbw	DESIGNED -	REVISED -	STATE OF ILLINOIS DEPARTMENT OF TRANSPORTATION	ARTICULATED BLOCK – CONNECTION DETAIL	F.A.P. RTE.	SECTION	COUNTY	TOTAL SHEETS	SHEET NO.	
est\paw_work\VP\DOT\CUSHMANBW\dms31213\0608sepL.dgn	PLOT SCALE = 50.0000' / IN.	DRAWN -	REVISED -			742	37R-4	OGLE	867	448	
	PLOT DATE = Wed Jun 02 09:15:49 2010	CHECKED -	REVISED -			CONTRACT NO. 64E17					
		DATE -	REVISED -			ILLINOIS FED. AID PROJECT					