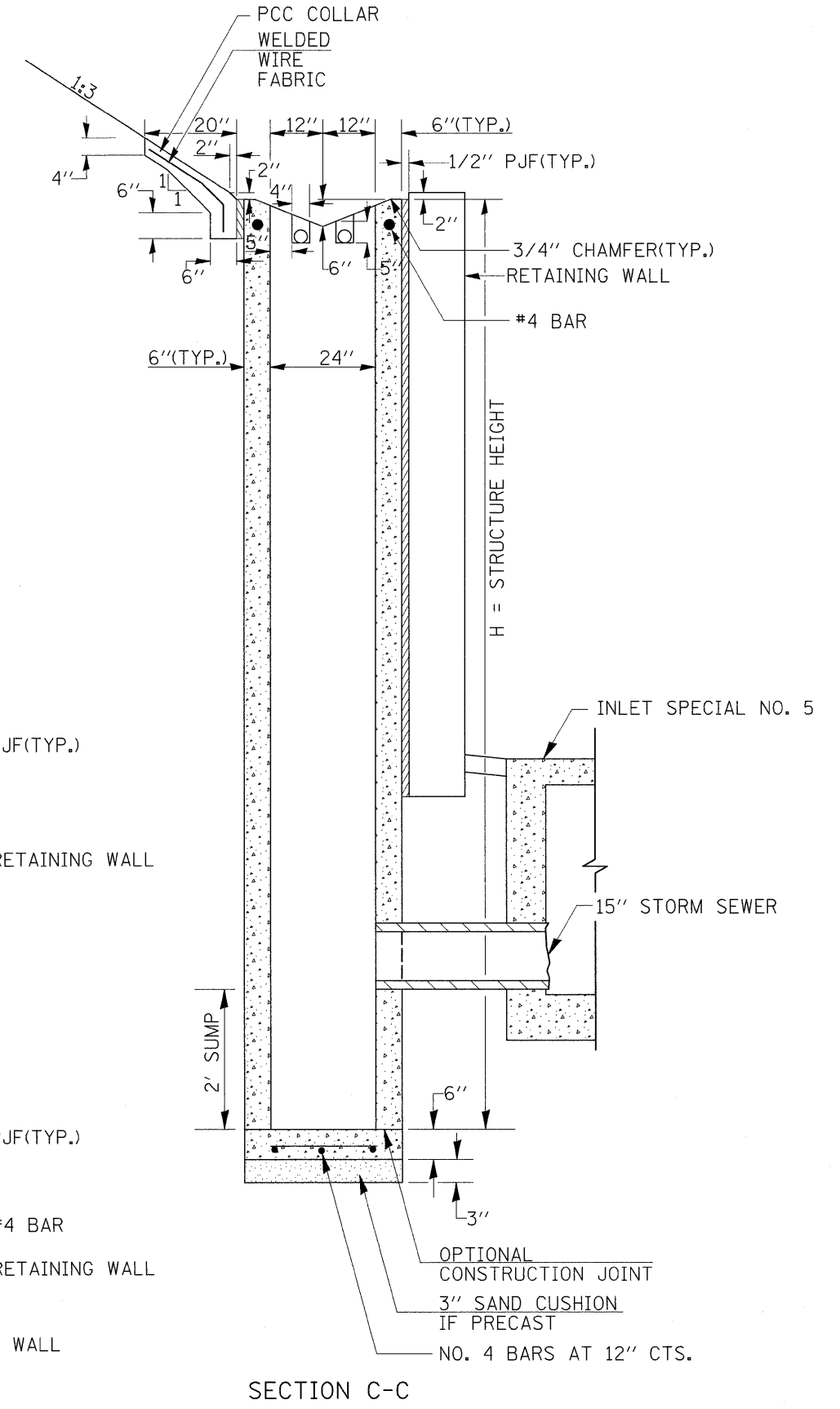
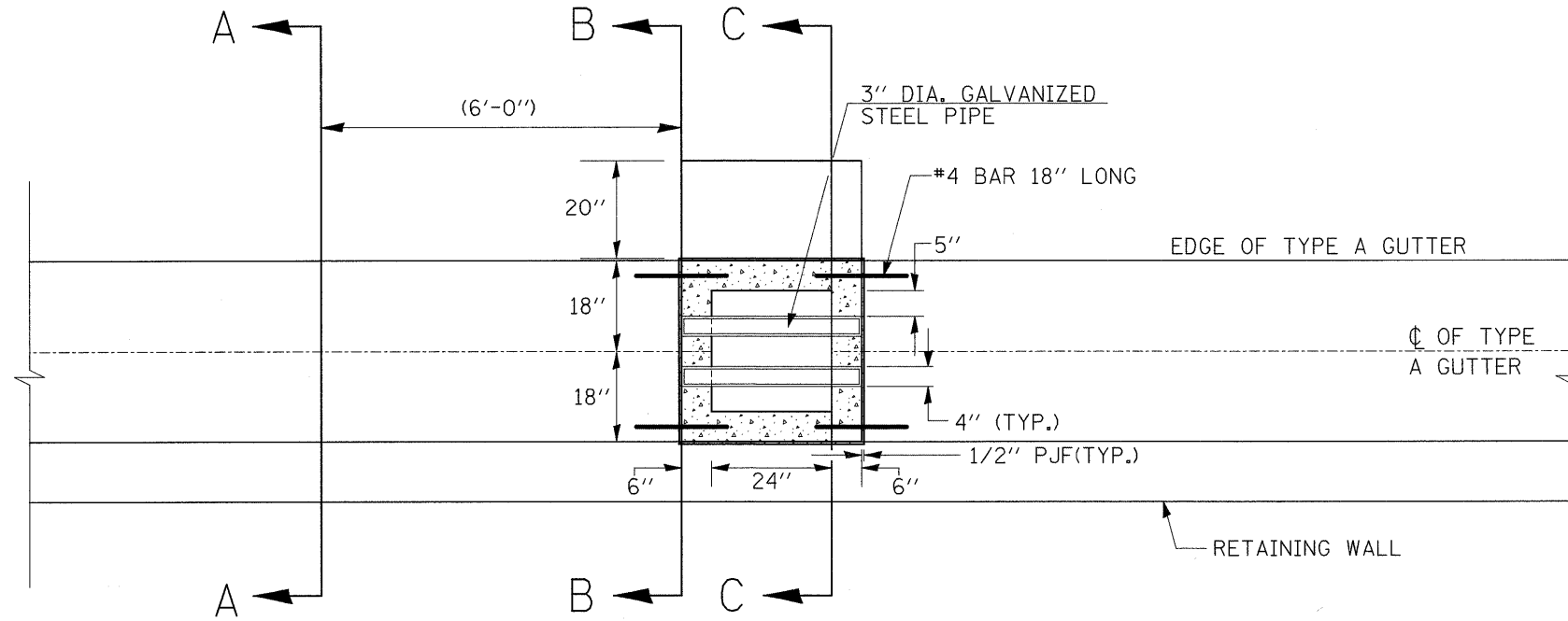
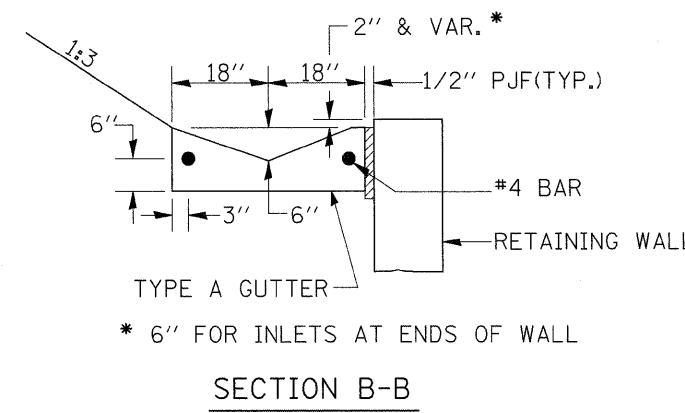
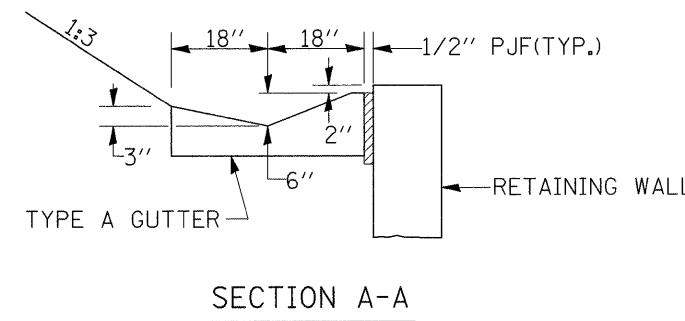


INLETS, SPECIAL



NOTES:

- EXCEPT AS NOTED HEREON INLETS, SPECIAL SHALL BE CONSTRUCTED IN ACCORDANCE WITH SECTION 602 OF THE STANDARD SPECIFICATIONS.
- THE CONTRACT UNIT PRICE "EACH" FOR INLETS, SPECIAL SHALL INCLUDE THE COST OF CONSTRUCTING THE INLET BOX, FURNISHING AND INSTALLING THE GALVANIZED STEEL PIPE, THE PRECAST FLOOR SLAB, PCC COLLAR, WELDED WIRE FABRIC, SAND CUSHION (WHEN USED) AND REINFORCEMENT BARS.
- CLASS SI CONCRETE OR PRECAST CONCRETE SHALL BE USED THROUGHOUT. PRECAST CONCRETE SHALL BE IN ACCORDANCE WITH SECTION 504.01 THRU 504.05 OF THE STANDARD SPECIFICATIONS EXCEPT THAT CONCRETE STRENGTH SHALL BE 27.5 MPa (4,000 PSI) AFTER 28 DAYS.
- REINFORCEMENT BARS SHALL CONFORM TO A.S.T.M A-53 (TYPE E OR S) GRADE B, SCHEDULE 40, AND SHALL BE GALVANIZED CONFORMING TO A.S.T.M. A-120.
- THE SIDE WALLS MAY BE BUILT AS PRECAST SEGMENTED SECTIONS.
- ALL VOIDS AROUND PIPE ENTRANCE, BOTH INSIDE AND OUTSIDE, SHALL BE SEALED WITH MORTAR.



FILE NAME =	USER NAME = grantpm	DESIGNED -	REVISED -	STATE OF ILLINOIS DEPARTMENT OF TRANSPORTATION	INLETS, SPECIAL	F.A.P. RTE.	SECTION	COUNTY	TOTAL SHEETS	SHEET NO.
os\pw_work\PMIDOT\GRANTPM\dms31213\d06628spl.dgn	PLOT SCALE = 50.0000' / IN.	DRAWN -	REVISED -			742	37R-4	OGLE	867	451
PLOT DATE = Tue Mar 30 09:22:06 2010	DATE -	CHECKED -	REVISED -			CONTRACT NO. 64E17				
		DATE -	REVISED -			ILLINOIS FED. AID PROJECT				
SCALE:						SHEET NO. OF SHEETS		STA. TO STA.		