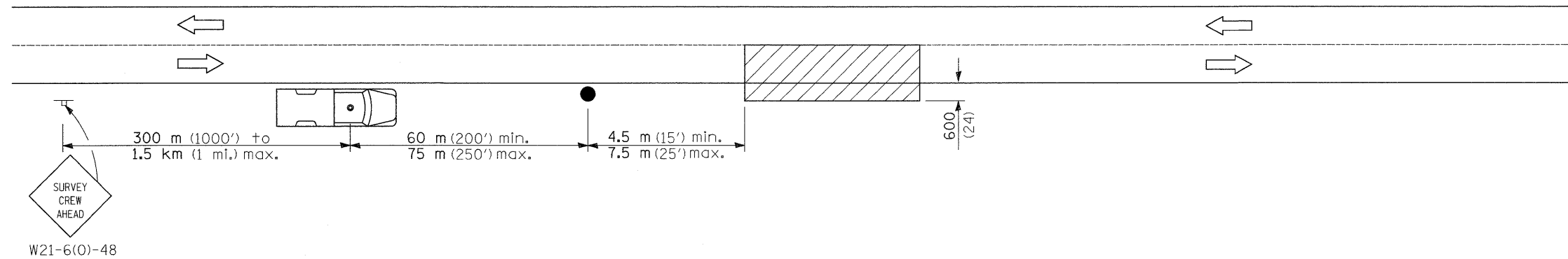
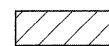


LIGHTING DETAILS



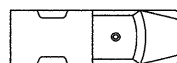
SYMBOLS



Work area



Sign on portable or permanent support



Truck with flashing amber light and dual emergency flashers



Flagger with traffic control sign

TYPICAL APPLICATIONS
Utility operations

All dimensions are in millimeters (inches) unless otherwise shown.

DETAIL FOR
NIGHTTIME LIGHTING
INSPECTION

FILE NAME =	USER NAME = grantpm	DESIGNED -	REVISED -	STATE OF ILLINOIS DEPARTMENT OF TRANSPORTATION	LIGHTING DETAILS	F.A.P. RTE.	SECTION	COUNTY	TOTAL SHEETS	SHEET NO.
cr:\pw\work\PIWIDOT\GRANTPM\dms31213\006628apl.dgn	PLOT SCALE = 50.0000' / IN.	DRAWN -	REVISED -			742	37R-4	OGLE	867	456
PLOT DATE = Tue Mar 30 09:22:10 2010	DATE -	CHECKED -	REVISED -			CONTRACT NO. 64E17				
						ILLINOIS FED. AID PROJECT				
						SCALE:	SHEET NO.	OF SHEETS	STA.	TO STA.