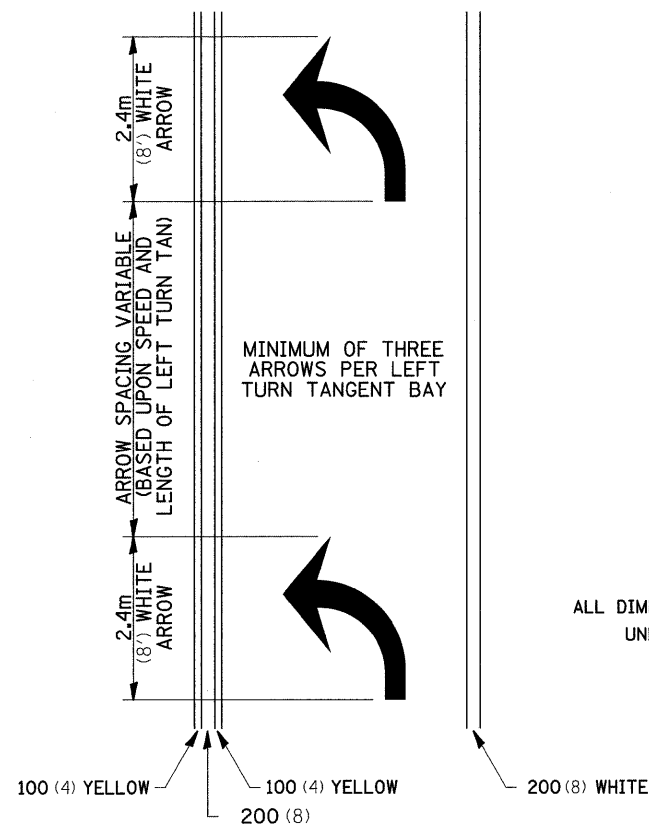


TYPICAL PAVEMENT MARKINGS

ARROW LAYOUT

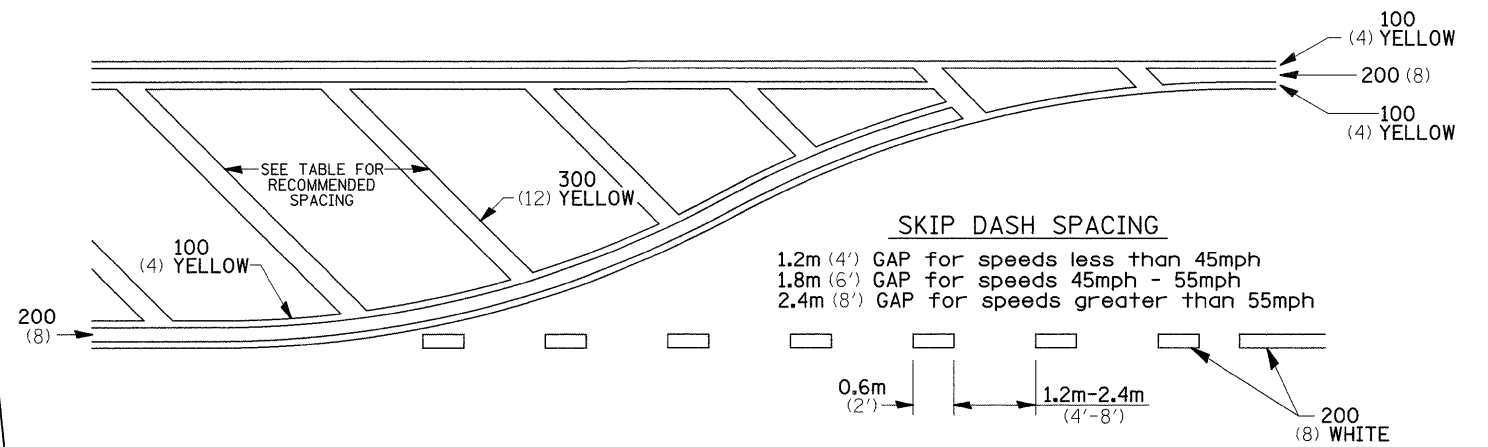


- ◀ ONE-WAY AMBER MARKER
- ◁ ONE-WAY CRYSTAL MARKER
- ◆ TWO-WAY AMBER MARKER

ALL DIMENSIONS ARE IN MILLIMETERS (INCHES) UNLESS OTHERWISE NOTED.

12.2m
6 at (40') O.C.
APPROACH SIDE ONLY

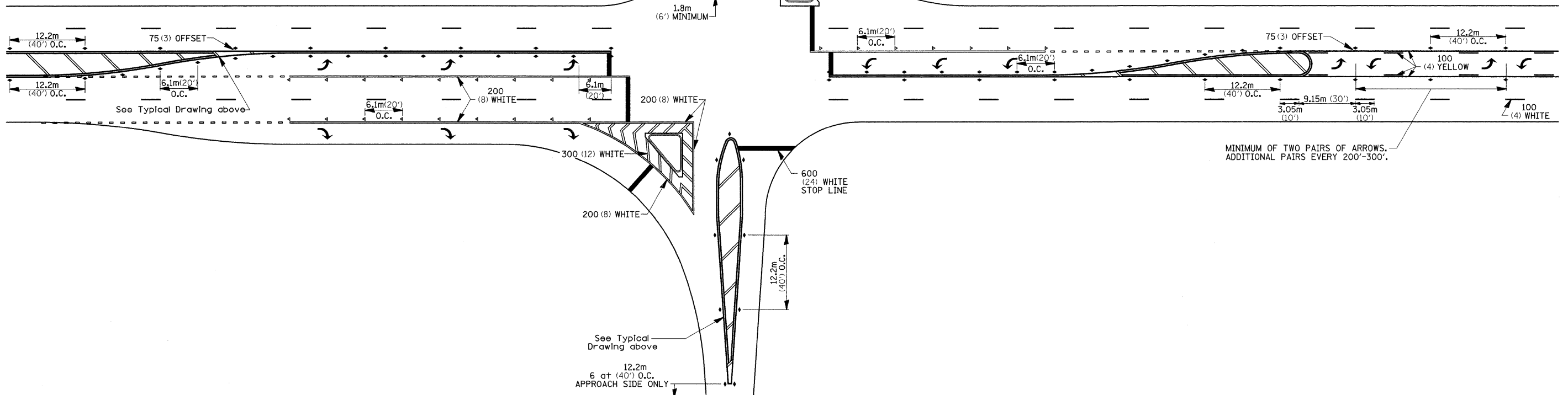
TYPICAL PAVEMENT MARKING FOR FLUSH MEDIAN



RECOMMENDED SPACING BETWEEN DIAGONALS (IN FEET)

Speed Limit Range	Continuous Median Area	Intersection Channelization	Objects (Islands)
less than 50Km/H (30MPH)	15.3m (50')	4.53m (15')	3.05m (10')
50-60Km/H (30-40MPH)	22.9m (75')	6.1m (20')	4.53m (15')
70Km/H (45MPH) & over	22.9m (75')	9.05m (30')	6.1m (20')

NOTE: If the spacing recommended in the Table does not permit at least five diagonal lines in the area being marked, the spacing from the next lowest speed range should be used. The recommended spacing is measured parallel to the pavement center line.



FILE NAME =	USER NAME = grantpm	DESIGNED -	REVISED - 10-21-08	STATE OF ILLINOIS DEPARTMENT OF TRANSPORTATION	REGION 2 / DISTRICT 2 STANDARD			F.A.P. RTE.	SECTION	COUNTY	TOTAL SHEETS	SHEET NO.
oi\pwork\pwidot\GRANTPM\dms31213\066288pl.dgn		DRAWN -	REVISED -					742	37R-4	OGLE	867	480
PLOT SCALE = 50.0000' / IN.		CHECKED -	REVISED -					CONTRACT NO. 64E17				
PLOT DATE = Tue Mar 30 09:22:43 2010		DATE -	REVISED -					FED. ROAD DIST. NO. [ILLINOIS] FED. AID PROJECT				
				SCALE:	SHEET NO.	OF SHEETS	STA.	TO STA.				