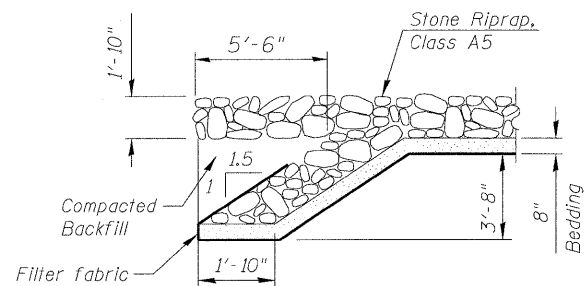


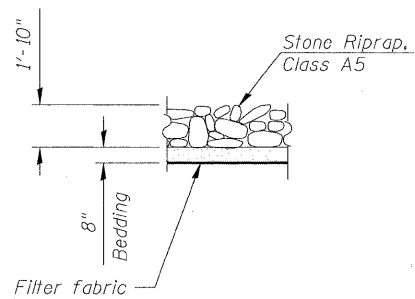
**SECTION B-B & D-D**

(Class A5 RipRap Downstream Flank)



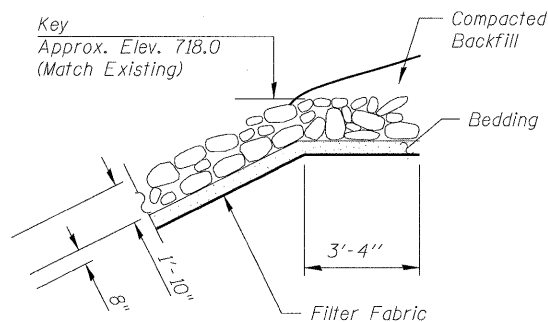
**SECTION C-C & E-E**

(Class A5 RipRap Upstream Flank)



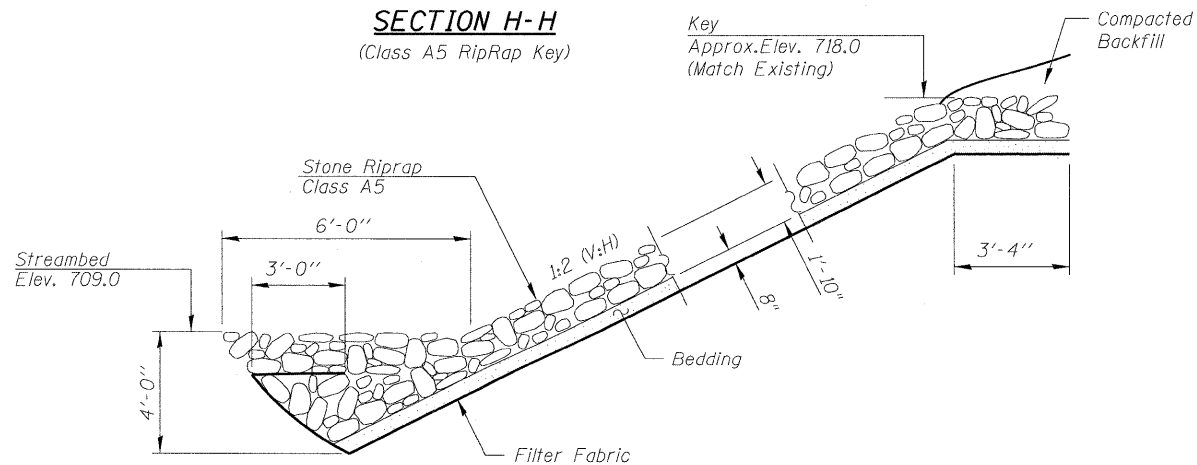
**SECTION G-G**

(Roadway Drainage Ditch Inlet)

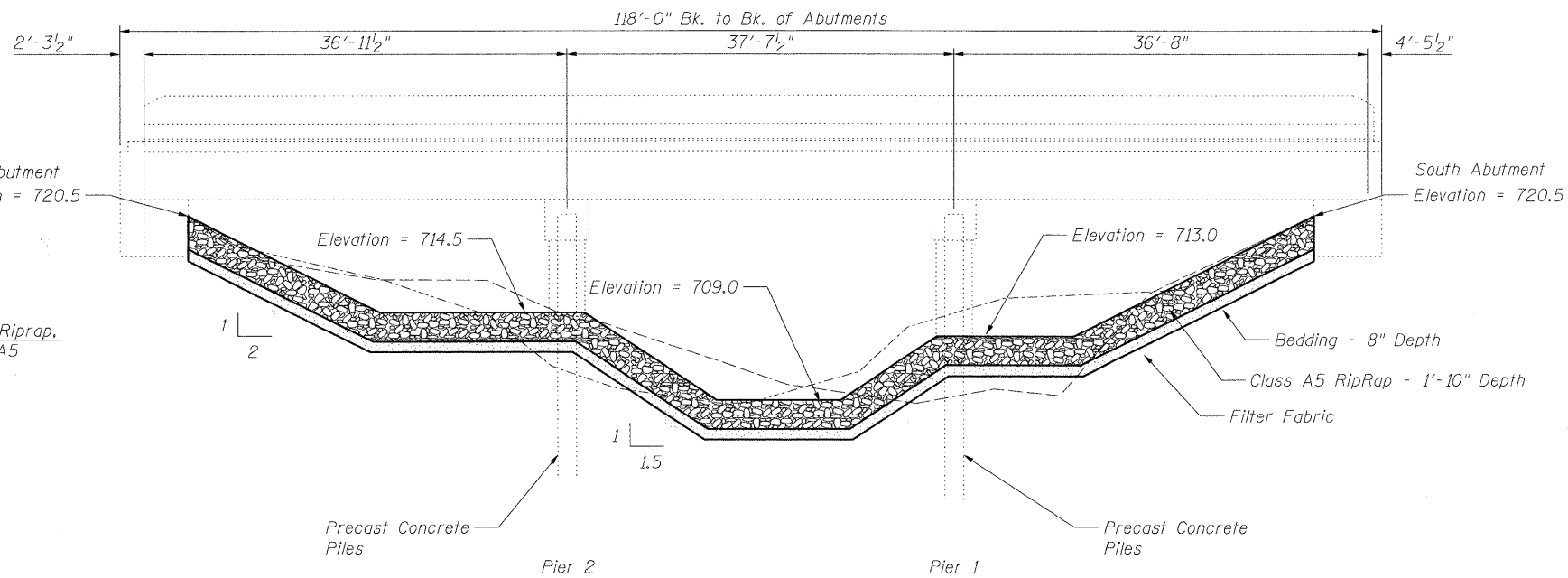


**SECTION H-H**

(Class A5 RipRap Key)

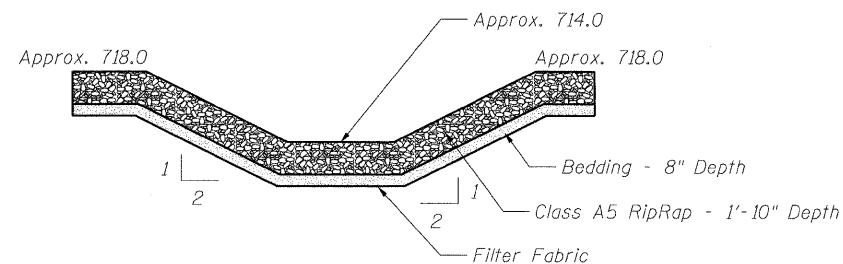


**SECTION A-A**



**SECTION**

(Typical Benched Cross Section within Structure)



**SECTION F-F**

(Roadway Drainage Ditch Inlet)

GREENE & BRADFORD, INC.  
OF SPRINGFIELD

FILE NAME = J:\09227\W05\CADD\CADsheets\0366826-sh-1-1-Counter.dgn  
USER NAME = frankv  
DESIGNED - GAMBILL  
DRAWN - VERENSKI  
CHECKED - BOTT  
DATE - 2/23/10  
PLOT SCALE = 5/4,0000 1' = 1/4"  
PLOT DATE = 3/29/2010  
G&B PROJECT:  
PLOT DRIVER = V81.T05700.PS.22x34.plt to f g

REVISIONS:  
REVISED -  
REVISED -  
REVISED -  
REVISED -

STATE OF ILLINOIS  
DEPARTMENT OF TRANSPORTATION

SCOUR COUNTERMEASURES DETAILS  
ILL. ROUTE 40 OVER COAL CREEK

SCALE: SHEET NO. 1 OF 1 SHEETS STA. TO STA.

F.A.P. RTE.	SECTION	COUNTY	TOTAL SHEETS	SHEET NO.
646	(122BR-1) I	BUREAU	16	13
CONTRACT NO. 66826				
FED. ROAD DIST. NO. ILLINOIS FED. AID PROJECT				