

WEST BOUND

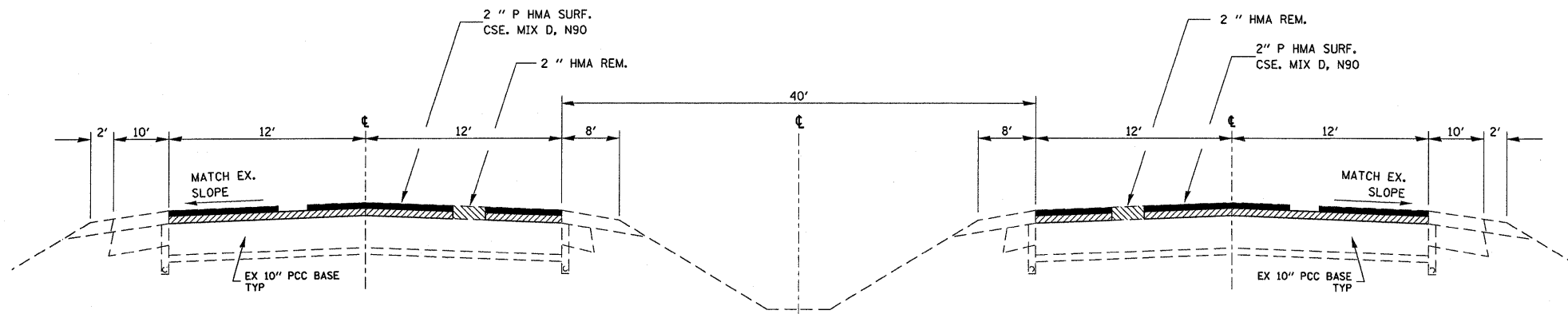
TYPICAL SECTION*

MILE MARKER 50.28 TO 50.81 EBL & WBL
 MILE MARKER 57.99 TO 58.73 EBL
 MILE MARKER 58.1 TO 58.7 WBL

EAST BOUND

*MILL AND RESURFACE THROUGH SN 006-0020,
 006-0021, 006-0022, AND 006-0023. MILL DEPTH
 AND RESURFACING THICKNESS SHALL BE 1 1/2"

MIX DESIGN					
MIX	PG GRADE	DESIGN AIR VOIDS	MIX COMPOSITION	FRICTION AGG	DENSITY CONTROL
POLYMERIZED HMA SURFACE	SBS/PG 70-22	4.0% @N90	IL 12.5 or IL 9.5	MIXTURE D	CORES
POLYMERIZED HMA BINDER	SBS/PG 70-22	4.0% @N90	IL 19.0		CORES



WEST BOUND

TYPICAL SECTION

MILE MARKER 50.81 TO 57.99 EBL
 MILE MARKER 58.73 TO 61.60 EBL
 MILE MARKER 50.81 TO 58.05 WBL
 MILE MARKER 58.70 TO 61.60 WBL

EAST BOUND

FILE NAME =	USER NAME = bergantino.ja	DESIGNED - RON WOODSHANK	REVISED -	STATE OF ILLINOIS DEPARTMENT OF TRANSPORTATION	TYPICAL SECTION	F.A.I. RTE.	SECTION	COUNTY	TOTAL SHEETS	SHEET NO.	
es:\pwwork\VPWIDOT\BERGANTINO.JA\d0143170	D366A33-details.dgn	DRAWN - RON WOODSHANK	REVISED -			80	.	BUREAU	12	4	
	PLOT SCALE = 50.0054' / IN.	CHECKED -	REVISED -			CONTRACT NO. 66A33					
	PLOT DATE = May 04, 2010 - 02:50:16 PM	DATE -	REVISED -			SCALE: _____	SHEET NO. 1 OF 1 SHEETS	STA. _____ TO STA. _____	ILLINOIS		