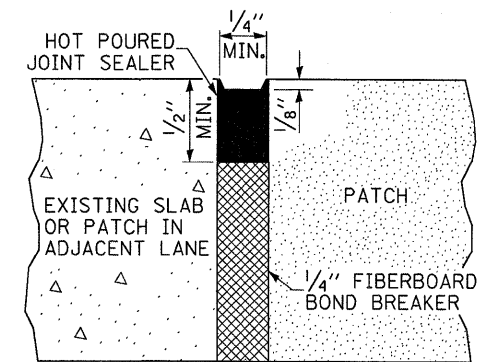
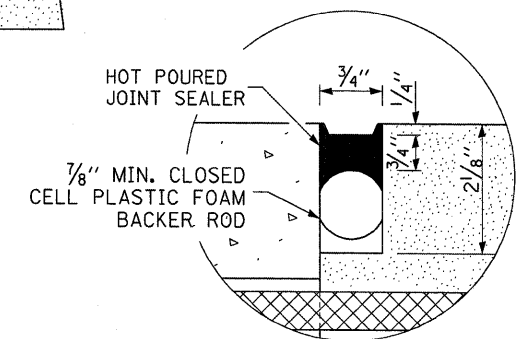


DOWEL BAR TABLE		
PAVEMENT THICKNESS	DOWEL BAR DIAMETER	HOLE DIAMETER
8" OR GREATER	1 1/2"	1 5/8"
7" THRU 7.99"	1 1/4"	1 3/8"
LESS THAN 7"	1"	1 1/8"



SEALING DETAIL
CENTERLINE JOINT

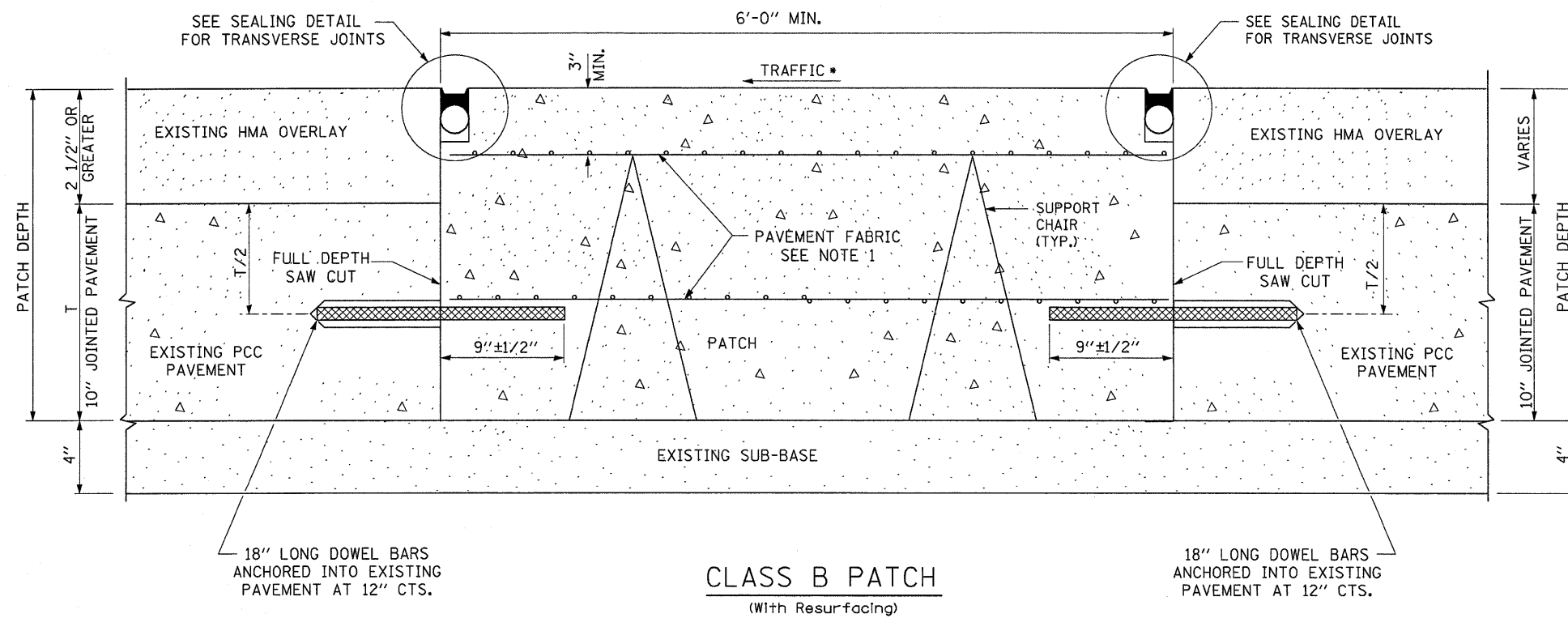


SEALING DETAIL
TRANSVERSE JOINT

GENERAL NOTES

THE TRANSVERSE JOINTS FOR CLASS B PATCHES SHALL ALIGN WITH JOINTS OR CRACKS IN THE ADJACENT LANE WHENEVER POSSIBLE.
SEE STANDARD 420701 FOR DETAILS OF PAVEMENT FABRIC.

NOTE 1:
TWO LAYERS OF PAVEMENT FABRIC AS SHOWN SHALL BE REQUIRED FOR TYPE II, TYPE III AND TYPE IV CLASS B PATCHES



CLASS B PATCH
(With Resurfacing)

FILE NAME =	USER NAME = bergantinoje	DESIGNED <i>RON WOODSHANK</i>	REVISED -	STATE OF ILLINOIS DEPARTMENT OF TRANSPORTATION	CLASS B PATCHING (SPECIAL)	F.A.I. RTE. 80	SECTION	COUNTY	TOTAL SHEETS 12	SHEET NO. 10		
CONTRACT NO. 66A33	D366A33-details.dgn	DRAWN <i>RON WOODSHANK</i>	REVISED -			SCALE: _____	SHEET NO. 1 OF 1 SHEETS	STA. _____	TO STA. _____	ILLINOIS		
	PLOT SCALE = 50,0000' / IN.	CHECKED -	REVISED -									
	PLOT DATE = May 04, 2010 - 02:57:52 PM	DATE -	REVISED -									