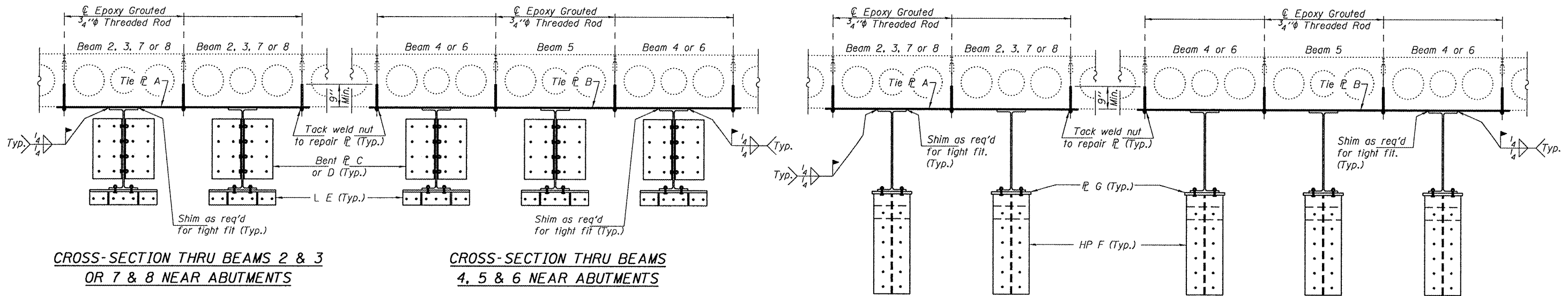


STATE OF ILLINOIS
DEPARTMENT OF TRANSPORTATION

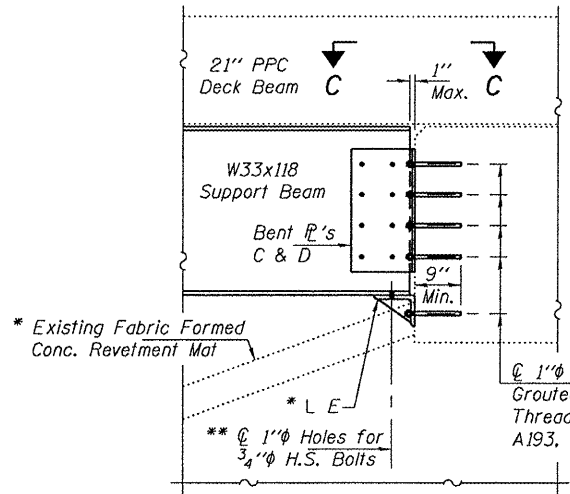


CROSS-SECTION THRU BEAMS 2 & 3
OR 7 & 8 NEAR ABUTMENTS

CROSS-SECTION THRU BEAMS
4, 5 & 6 NEAR ABUTMENTS

CROSS-SECTION THRU BEAMS 2 & 3
OR 7 & 8 NEAR PIERS

CROSS-SECTION THRU BEAMS
4, 5 & 6 NEAR PIERS



SECTION A-A

* Remove existing Fabric Formed Concrete Revetment Mat as required to facilitate installation of L E. Cost included with Furnishing and Erecting Structural Steel.

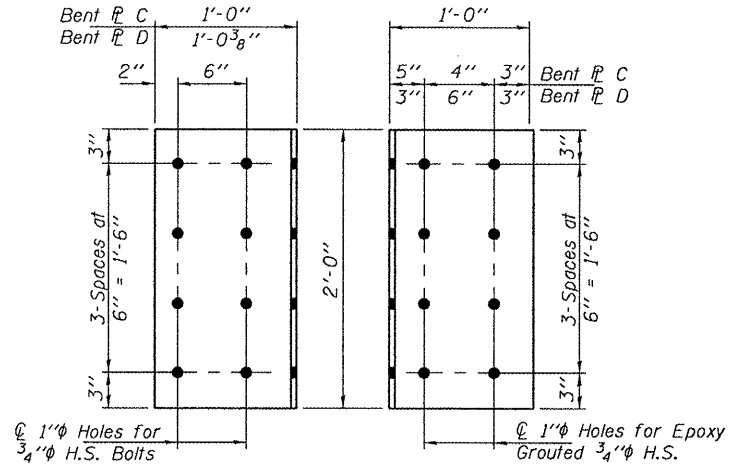
** Use holes in L or P to field drill holes in Support Beam.

* Existing Fabric Formed Conc. Revetment Mat

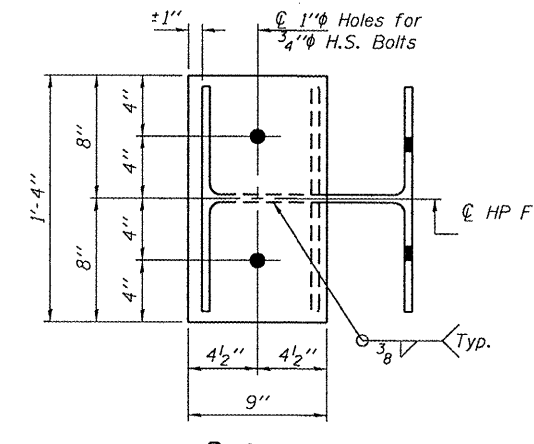
1" Holes for Epoxy Grouted 3/4" H.S. Threaded Rod (ASTM A193, B7 or equivalent)

1" Holes for 3/4" H.S. Bolts

1" Holes for Epoxy Grouted 3/4" H.S. Threaded Rod (ASTM A193, B7 or equivalent)

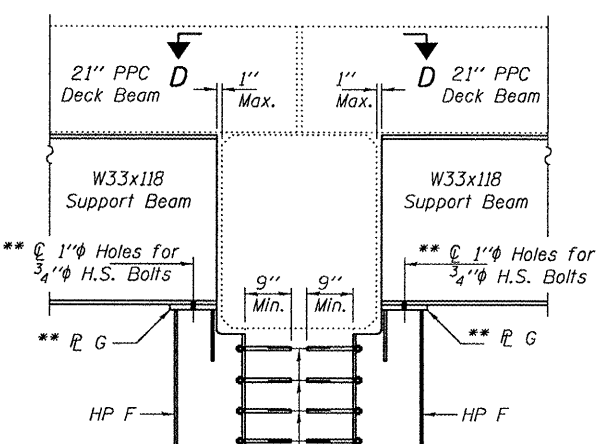


TYPICAL BENT PLATE ELEVATION



P G
1" x 1'-4" x 9"
(28 Required)

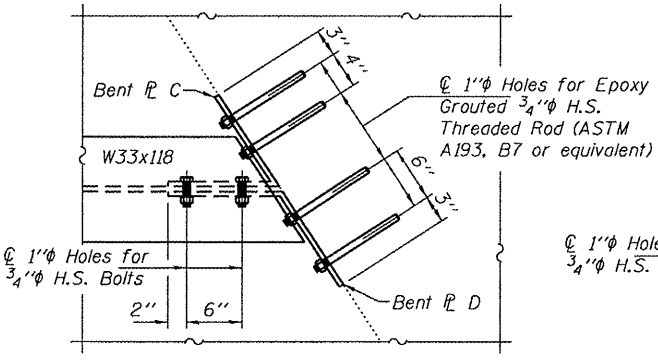
** Use holes in L or P to field drill holes in Support Beam.



SECTION B-B

1" Holes for Epoxy Grouted 3/4" H.S. Threaded Rod (ASTM A193, B7 or equivalent)

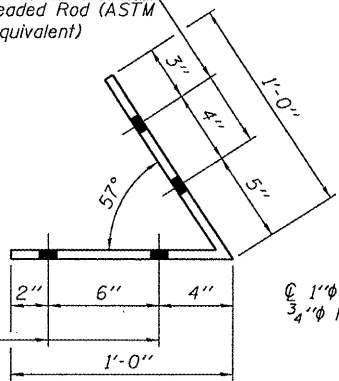
1" Holes for 3/4" H.S. Bolts



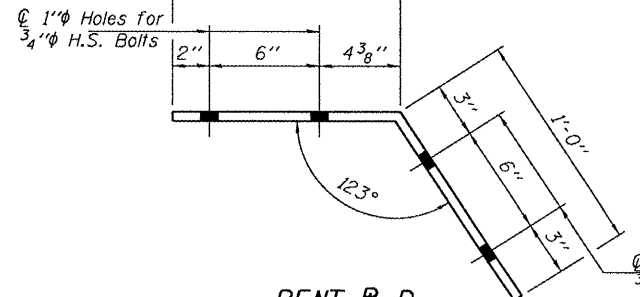
SECTION C-C

1" Holes for 3/4" H.S. Bolts

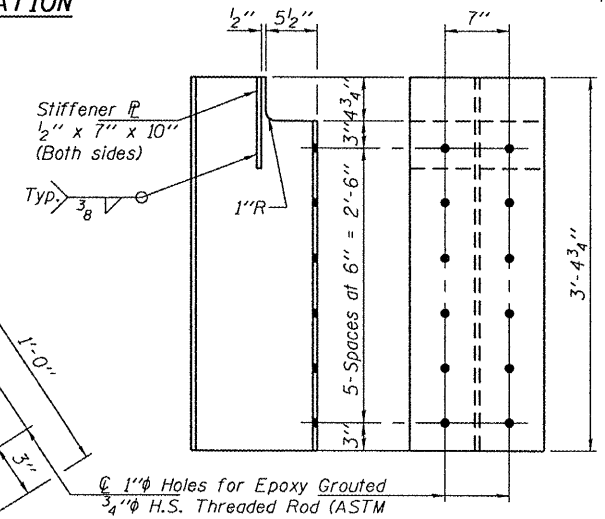
1" Holes for Epoxy Grouted 3/4" H.S. Threaded Rod (ASTM A193, B7 or equivalent)



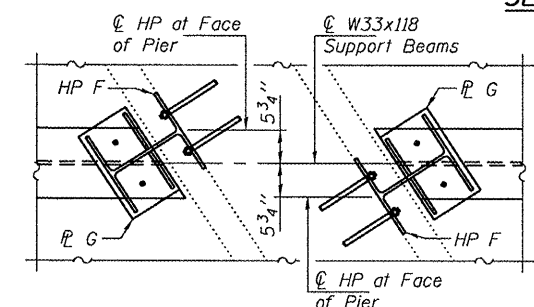
BENT PLATE C
1/2" x 2'-0" x 2'-0"
(14 Required)



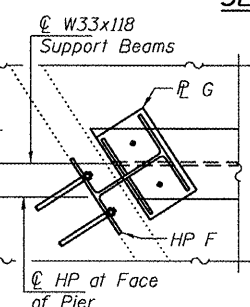
BENT PLATE D
1/2" x 2'-0" x 2'-0"
(14 Required)



HP F
HP14x73 x 3'-4 3/4"
(28 Required)



SECTION D-D



HP at Face of Pier

DESIGNED	GGE
CHECKED	VHV
DRAWN	Kyle M. Steffen
CHECKED	GGE

JUNE 14, 2010
EXAMINED *Carl Proyer*
ENGINEER OF STRUCTURAL SERVICES
PASSED *Ralph E. Anderson*
ENGINEER OF BRIDGES AND STRUCTURES

REPAIR DETAILS
SN 006-0140

SHEET NO. 2 2 SHEETS	F.A.P. RTE.	SECTION	COUNTY	TOTAL SHEETS	SHEET NO.
	613	(8D-BR-M)1	BUREAU	6	6
FED. ROAD DIST. NO.			ILLINOIS FED. AID PROJECT		
CONTRACT NO. 66A53					