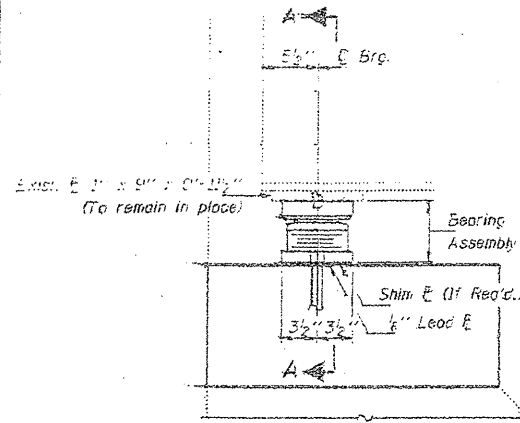


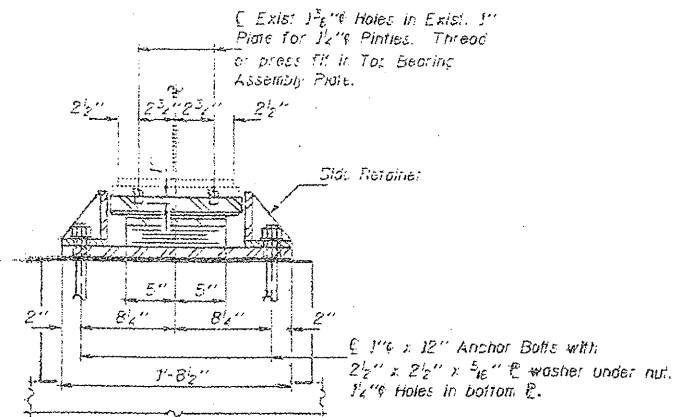
# Location 4 S.N. 090-0084 Bearings Plan Information Only

STATE OF ILLINOIS  
DEPARTMENT OF TRANSPORTATION

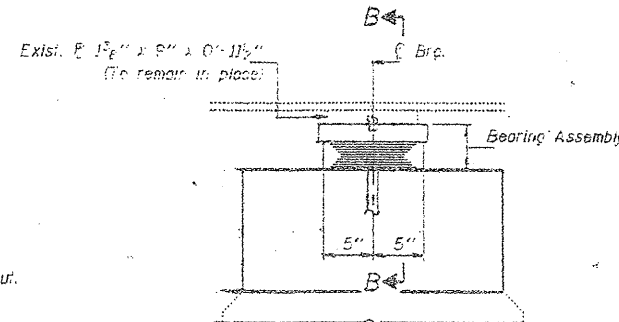
SHEET NO. 9	15 SHEETS
F.A.J. RT. 74 E. 211	TAEWELL
76	76



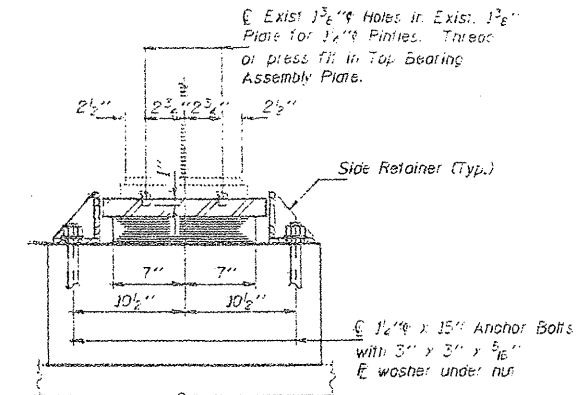
ELEVATION AT ABUTS.



SECTION A-A

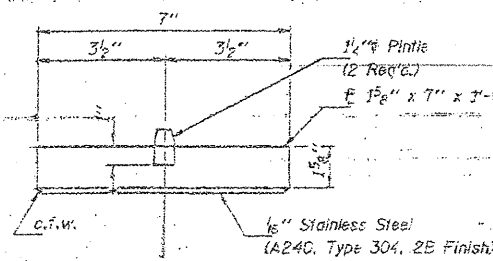


ELEVATION AT PIERS #1 & #3

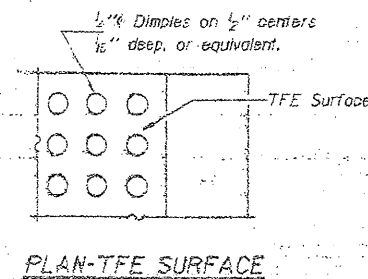


SECTION B-B

TYPE II TFE ELASTOMERIC EXP. BRG. BEAMS #1 THRU #6  
(12 Required)

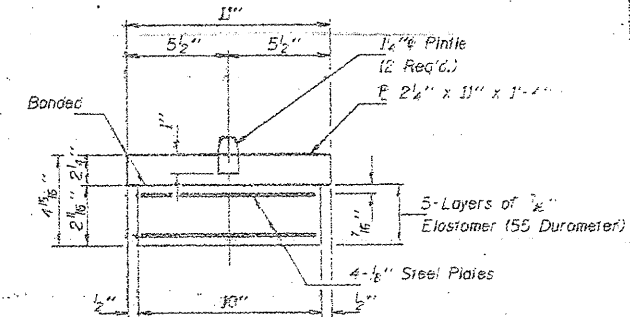


TOP BEARING ASSEMBLY



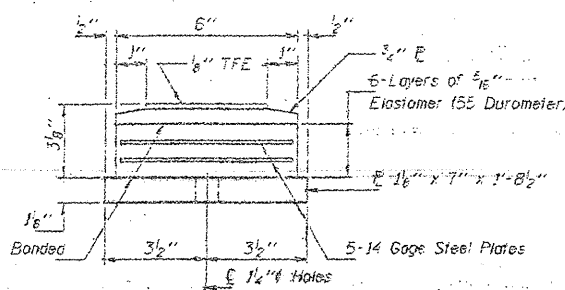
PLAN-TFE SURFACE

Notes: See sheet #11 of 15 for Anchor Bolt installation.  
Existing Anchor Bolts to be cut off flush with top of cap and ground smooth. Cost incidental to "Jacking Existing Superstructure."  
Weight of Steel Shim Plates, Lead Plates, Anchor Bolts, nuts and washers and Side Retainers is included in "Structural Steel".



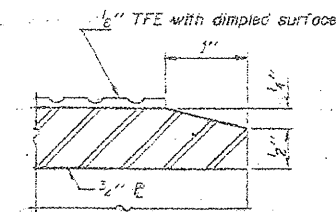
BEARING ASSEMBLY

Note: Shim plates shall not be placed on nor under Bearing Assembly.

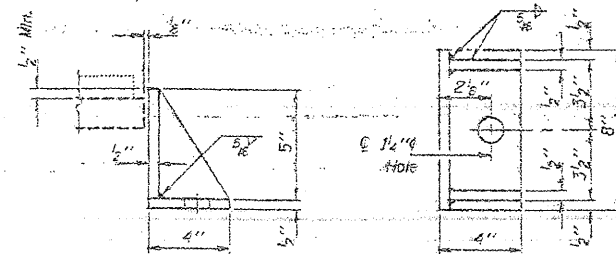


BOTTOM BEARING ASSEMBLY

Note: The 1/8" TFE sheet shall be bonded directly to the top steel plate with a two-component, medium viscosity epoxy resin, conforming to the requirements of the Federal Specification MMM-A-134, Type 1. The bond agent shall be applied on the full area of the contact surfaces. Bonding of 1/8" TFE sheet during vulcanizing process will be permitted provided the process and method of adjusting assembly height is approved by the Engineer.



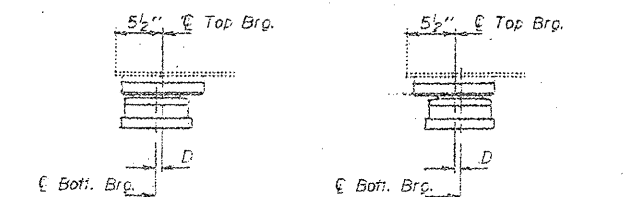
SECTION THRU TFE



SIDE RETAINER - ABUTMENTS

Equivalent rolled angle with stiffeners will be allowed in lieu of welded plates.

PINTLE

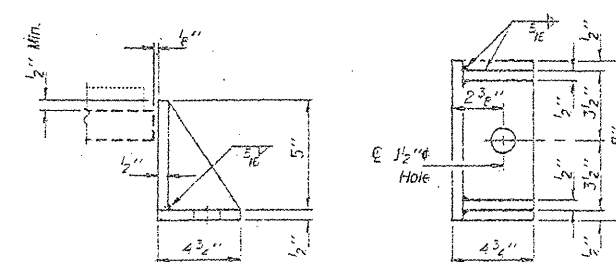


BELOW 50°F. (Move bot. brg. away from fixed brg.)

ABOVE 50°F. (Move bot. brg. toward fixed brg.)

SETTING ANCHOR BOLTS AT EXP. BRG.

D = 1/4" per each 100' of expansion for every 15° temp. change from the normal temp. of 50°F.



SIDE RETAINER - PIERS #1 & #3

Equivalent rolled angle with stiffeners will be allowed in lieu of welded plates.

BILL OF MATERIAL

Item	Unit	Total
Elastomeric Bearing Assembly Type I	Each	12
Elastomeric Bearing Assembly Type II	Each	12

BEARING DETAILS

F.A.J. RT. 74, SEC. (90-15HB-211)  
TAEWELL COUNTY  
STA. 685+89.76

ADD A 15A