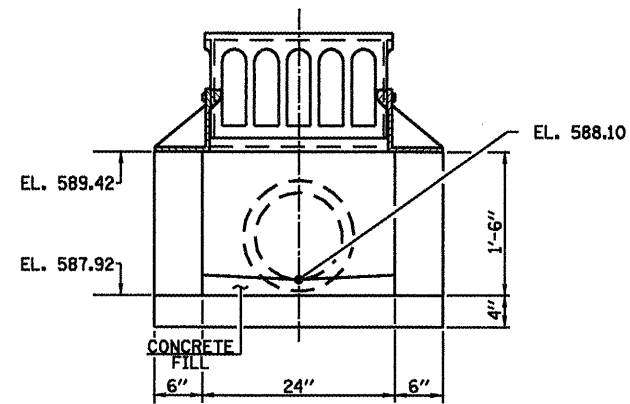
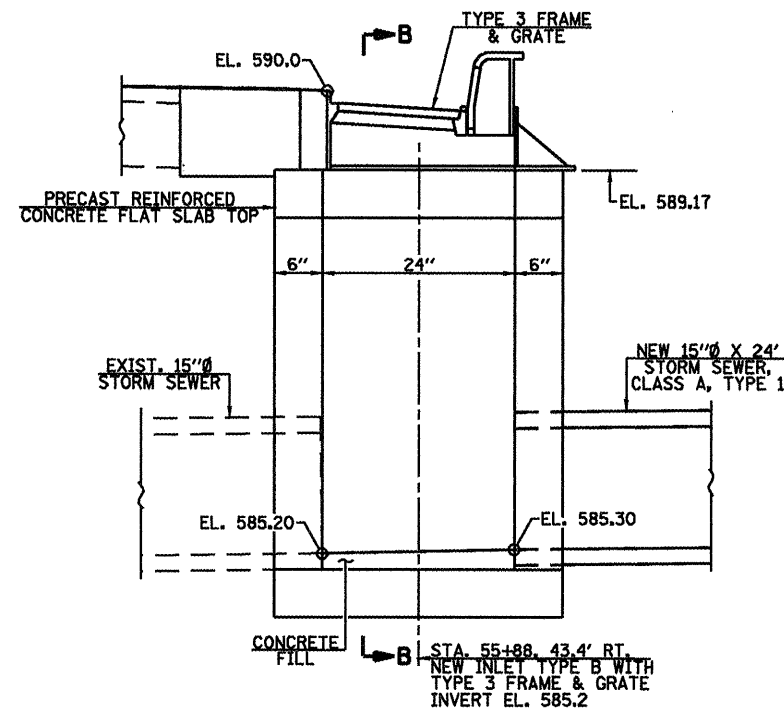


ELEVATION

INLET TYPE A
(STA. 55+55 13' LT.)

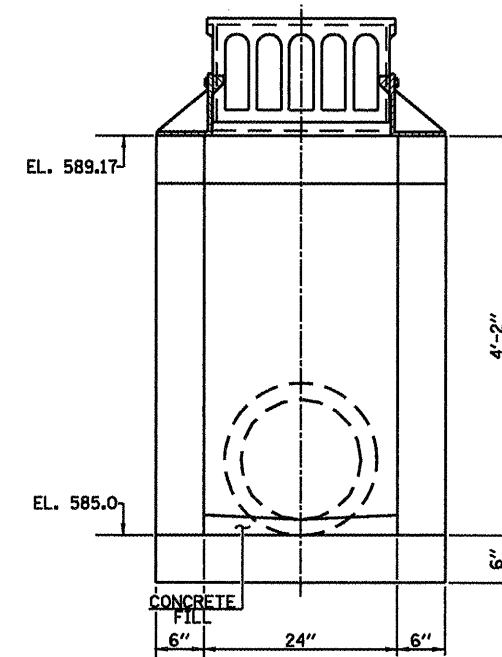


SECTION A-A

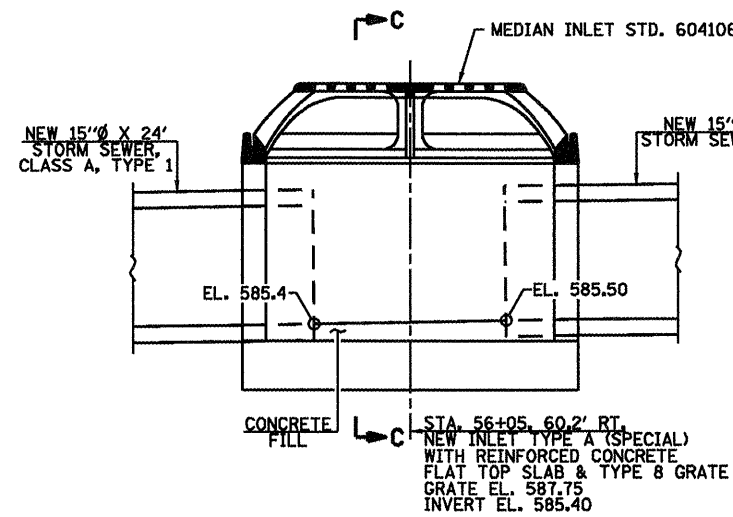


ELEVATION

INLET TYPE B
(STA. 55+88 43.4' RT.)

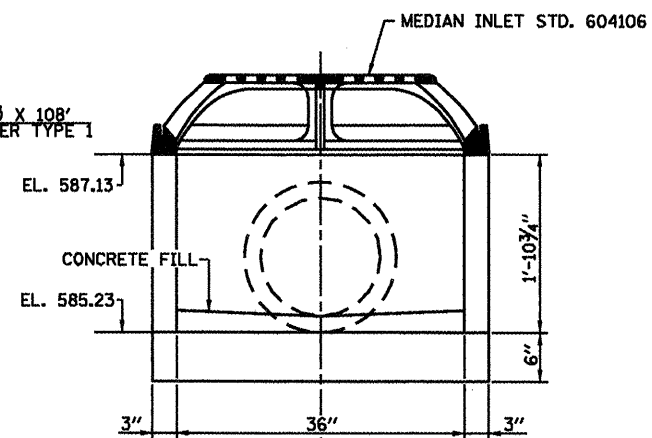


SECTION B-B

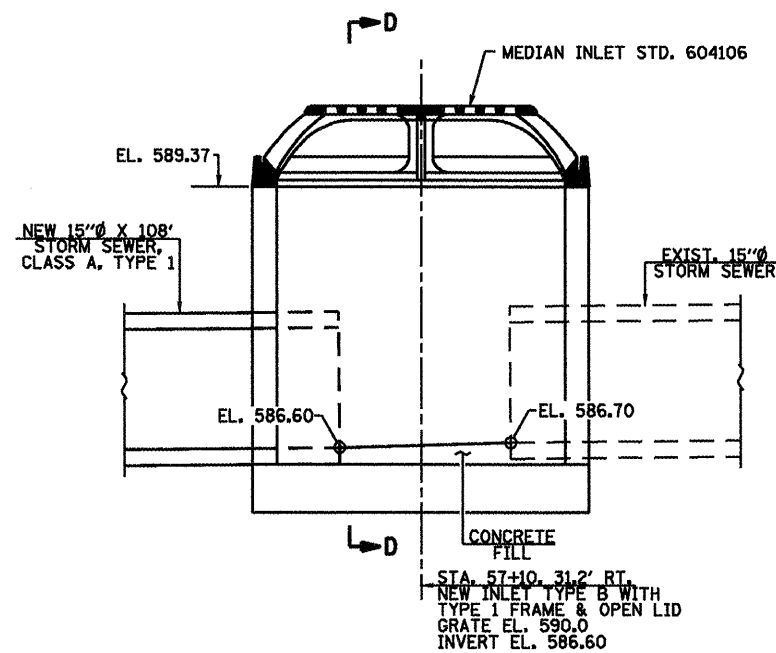


ELEVATION

INLET TYPE B
(3'-0" DIAMETER)

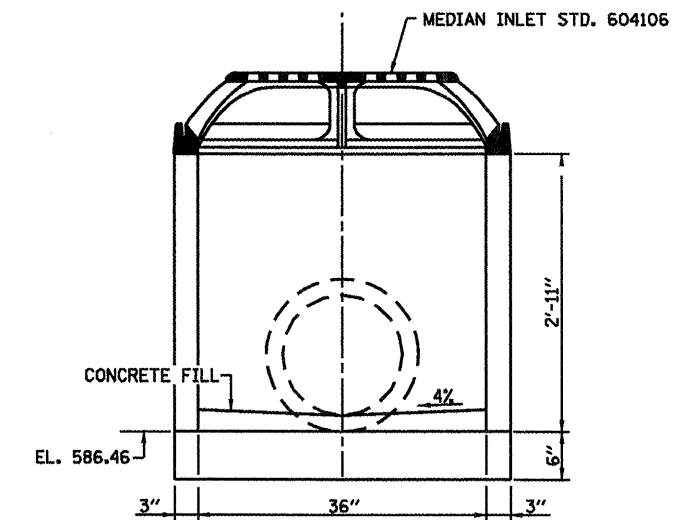


SECTION C-C



ELEVATION

INLET TYPE B
(STA. 57+10 31.2' RT.)



SECTION D-D

NOTE: WORK THIS SHEET WITH SHEETS NO. 18 & 19

FILE NAME =	USER NAME = laughlrr1	DESIGNED -	REVISED -
si:\pw_work\VPW\DOT\LAUGHLIN\LAUGHLIN\1122\ad	72998-ahc-drain.dgn	DRAWN -	REVISED -
	PLOT SCALE = 2.0000' / IN.	CHECKED -	REVISED -
	PLOT DATE = Mar-18-2018 02:17:09PM	DATE -	REVISED -



Allen Henderson & Associates, Inc.
Civil and Structural Engineers Springfield, IL
62703 Phone: (217)544-8033 IL Design Firm
No. 184-001907

INLET DETAILS	
SCALE: 1/2" = 1'	SHEET NO. 20 OF 32 SHEETS
STA.	TO STA.

F.A.P. RTE.	SECTION	COUNTY	TOTAL SHEETS	SHEET NO.
T17	(242)RS-4,N 116RS-5	LOGAN	32	20
FED. ROAD DIST. NO. ILLINOIS FED. AID PROJECT			CONTRACT NO. 72988	